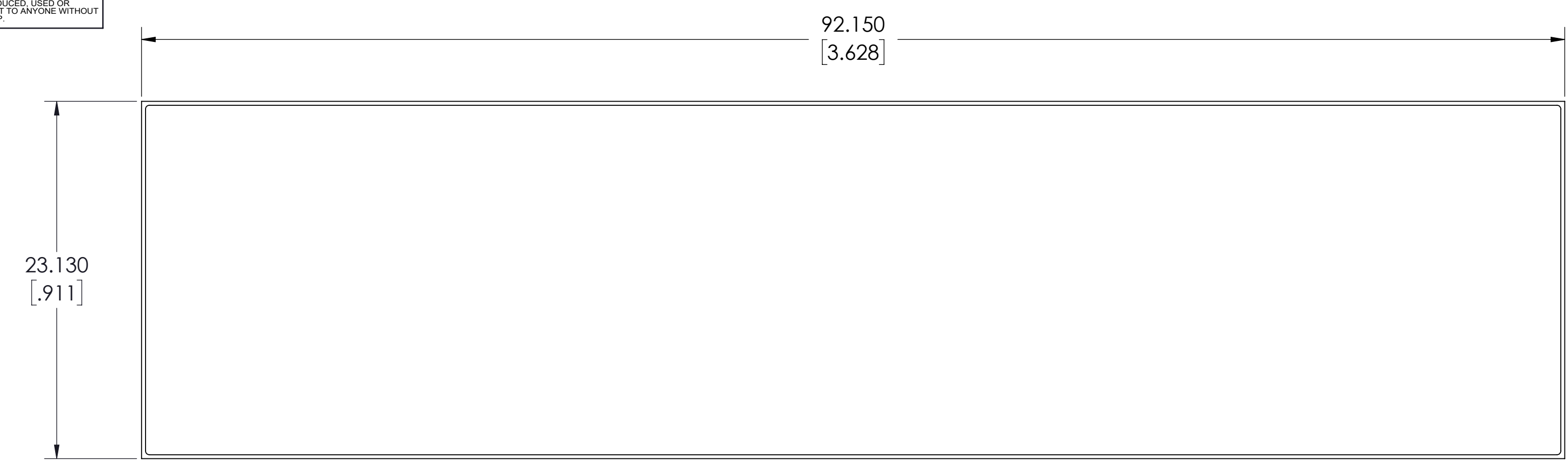
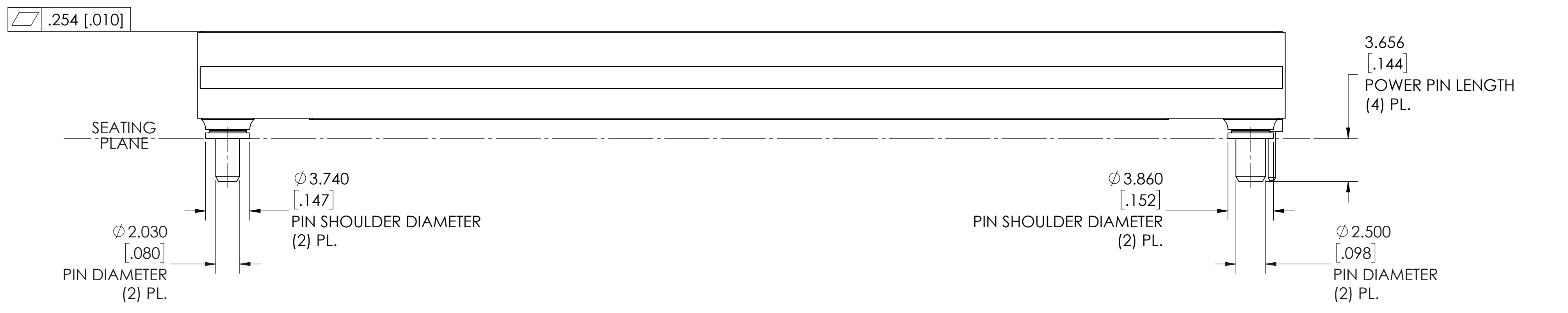
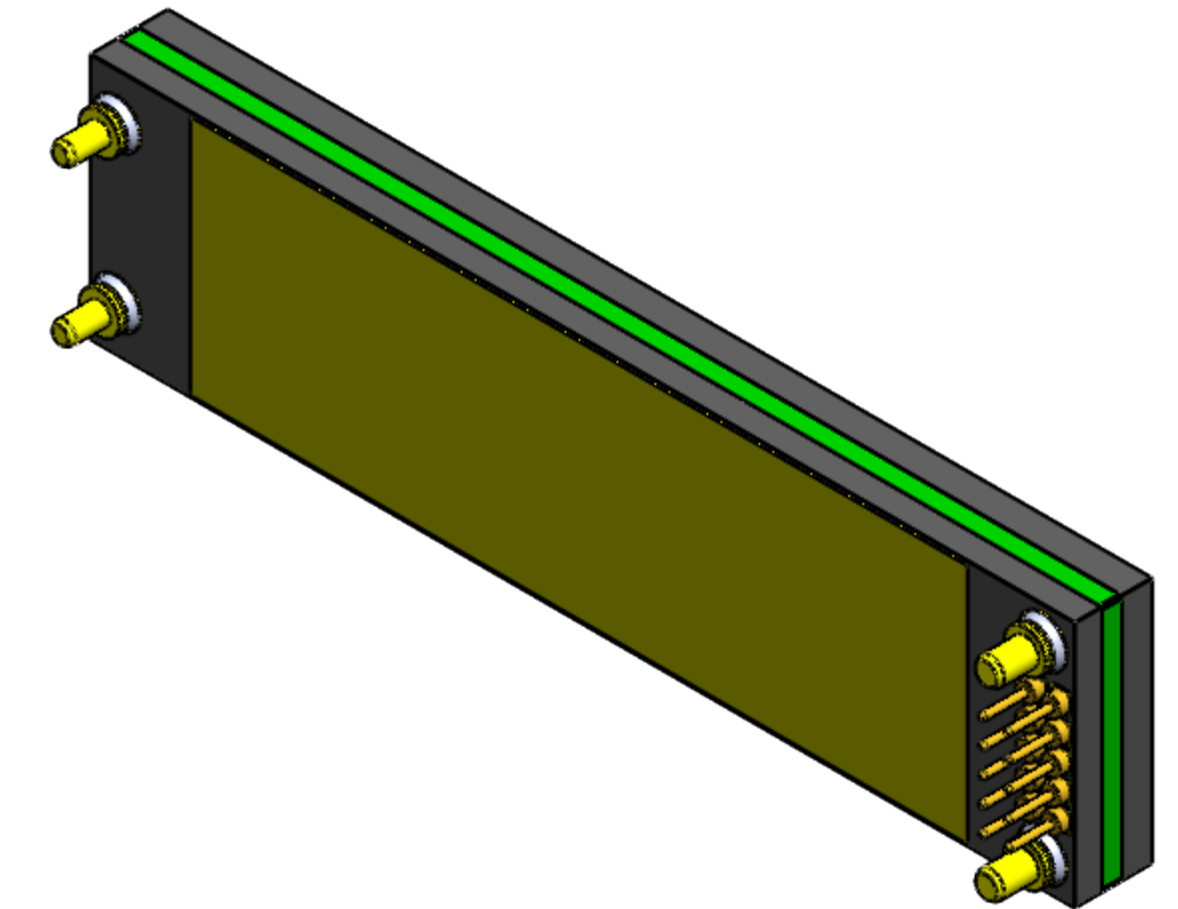
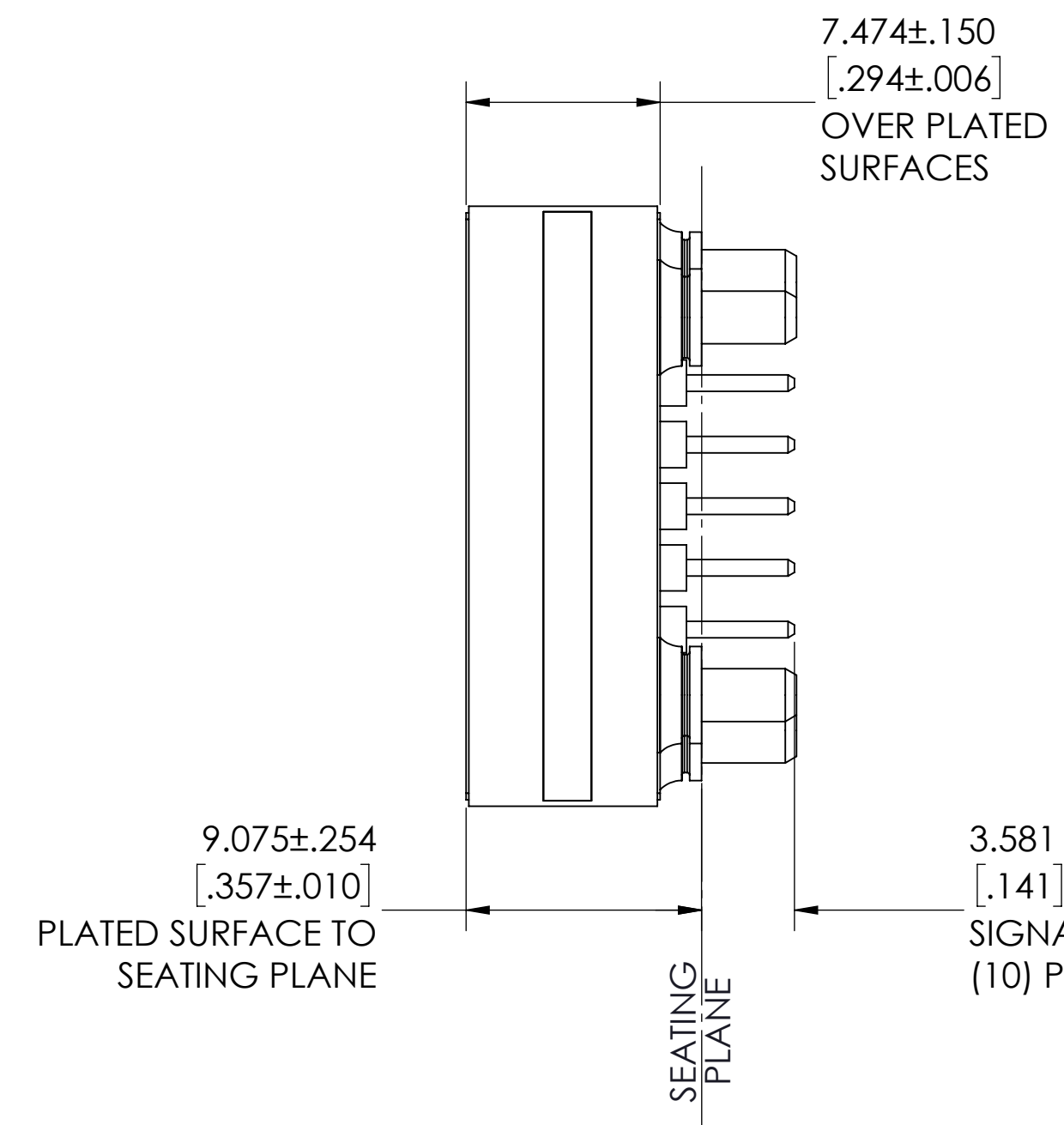


VICOR CONFIDENTIAL
 THIS DOCUMENT AND THE DATA DISCLOSED HEREIN OR HEREWITH IS NOT TO BE REPRODUCED, USED OR DISCLOSED IN WHOLE OR IN PART TO ANYONE WITHOUT THE PERMISSION OF VICOR CORP.

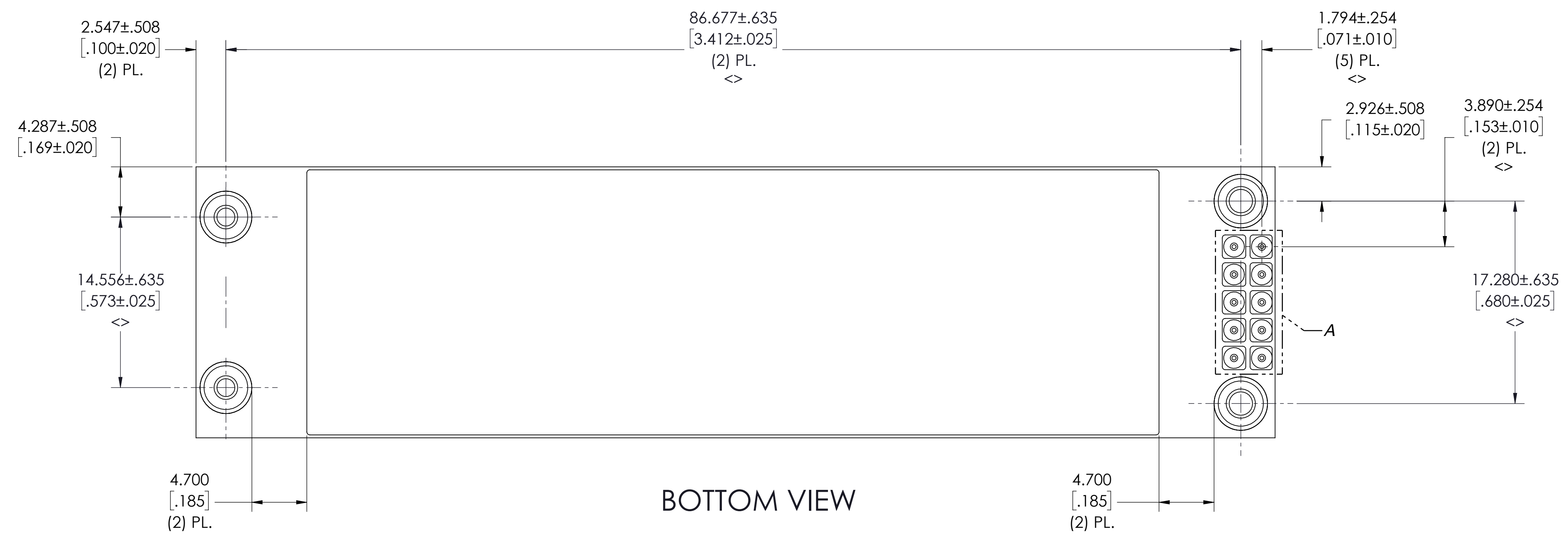
REV.	DESCRIPTION	INTL	DATE	APVD
1	RELEASED PER E230579	WNG	12/12/2023	VD
02	ECN # JT070125	JAT	06/06/2025	JAT
03	ECN # JT081325	JAT	08/06/2025	JAT



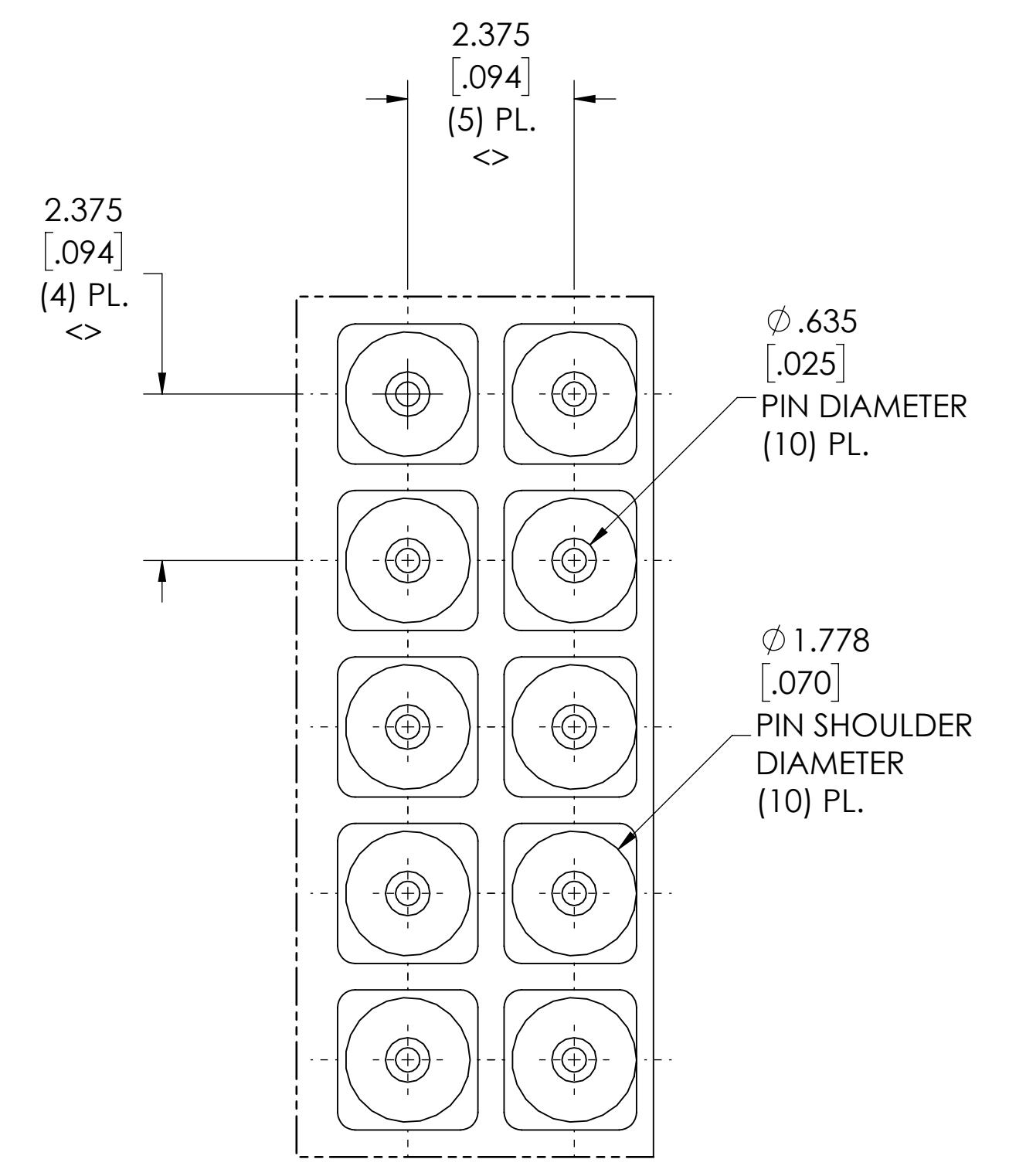
TOP VIEW
(COMPONENT SIDE)



9223 DCM/PFM TC10



BOTTOM VIEW



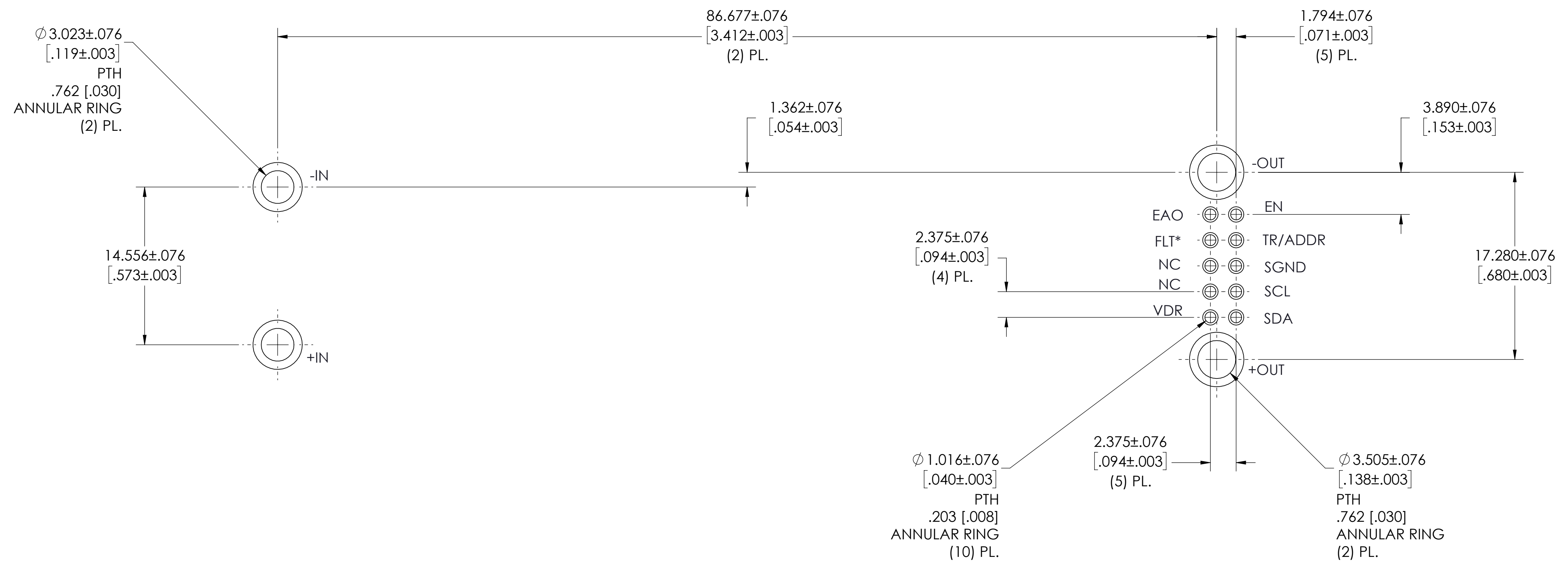
DETAIL A
SCALE 12 : 1

NOTES:
 1. RoHS COMPLIANT, LEAD FREE PER CST-0001, LATEST REVISION
 2. <> DENOTES CRITICAL CHARACTERISTIC

DRAWN BY R.E.J. Hickey	DATE 03/31/2022	VICOR		SWD	
UNLESS OTHERWISE SPECIFIED DIMENSIONS ARE MM (INCH)		PRODUCT OUTLINE 9223 DCM/PFM TC10 TH CM			
TOLERANCES ARE: DECIMALS ANGLES XXX (XXX) = +0.25 (0.01) ±1° X.XXX (X.XXX) = ±0.12 (0.005)		SIZE D	CAGE CODE 67131	DWG NO 49963	REV 03
THIRD ANGLE PROJECTION DO NOT SCALE DRAWING		SCALE 4:1	SHEET 1 OF 2		

VICOR CONFIDENTIAL
THIS DOCUMENT AND THE DATA DISCLOSED HEREIN OR
HEREIN IS NOT TO BE REPRODUCED, USED OR
DISCLOSED IN WHOLE OR IN PART TO ANYONE WITHOUT
THE PERMISSION OF VICOR CORP.

REVISIONS			
REV	DESCRIPTION	DATE	APPROVED
	SEE SHEET 1		



*RECOMMENDED HOLE PATTERN
(COMPONENT SIDE)*

DRAWN BY R.E.J. Hickey	DATE 03/31/2022	VICOR <small>swd</small>	
UNLESS OTHERWISE SPECIFIED DIMENSIONS ARE MM (INCH)		PRODUCT OUTLINE 9223 DCM/PFM TC10 TH CM	
TOLERANCES ARE: DECIMALS ANGLES X.XX (X.XX) = +0.25 (0.01) ±1° X.XXX (X.XXX) = ±0.127 (0.005)		SIZE D	CAGE CODE 67131
THIRD ANGLE PROJECTION 		DWG NO 49963	REV 03
DO NOT SCALE DRAWING		SCALE 4:1	SHEET 2 OF 2