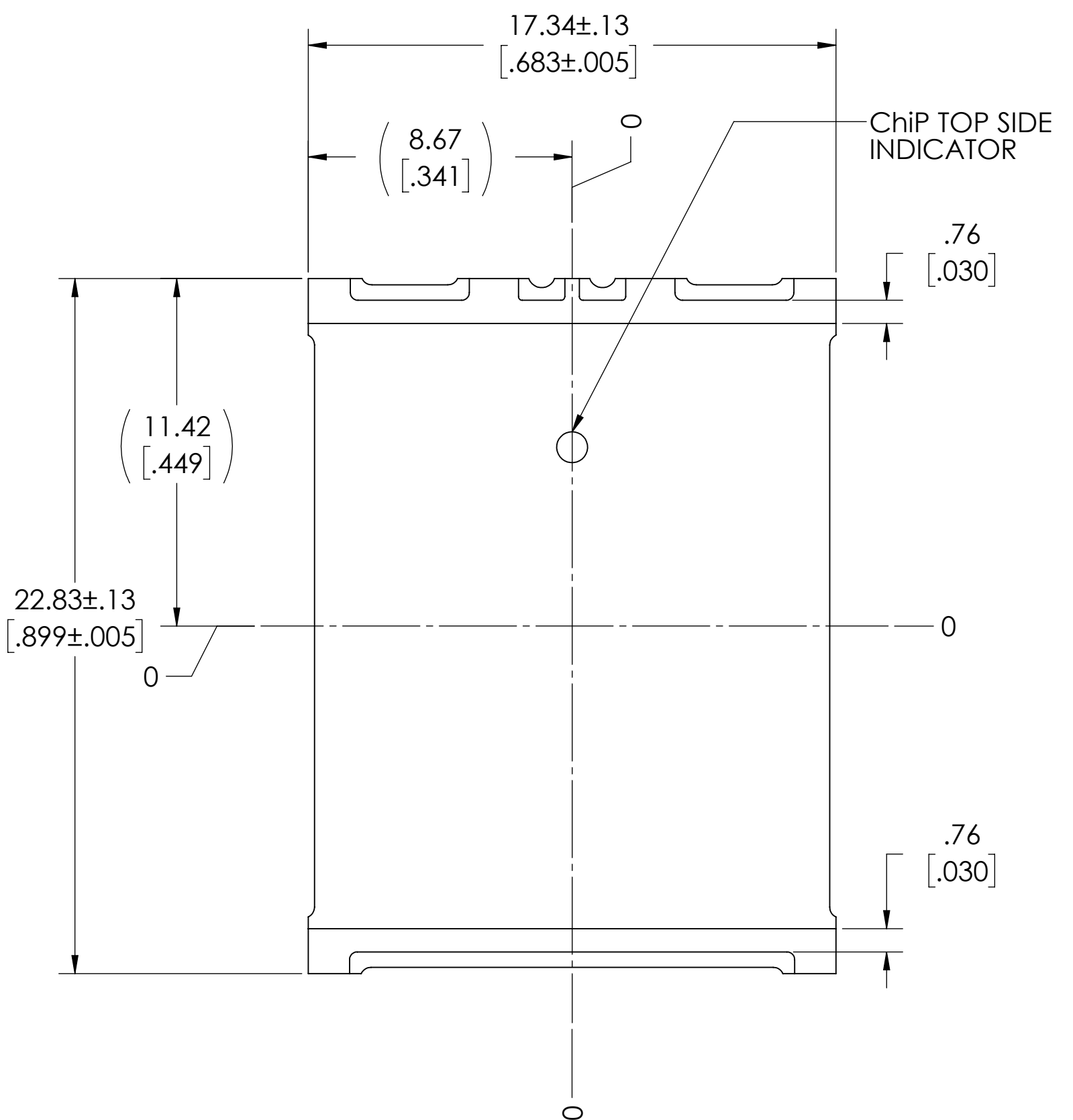
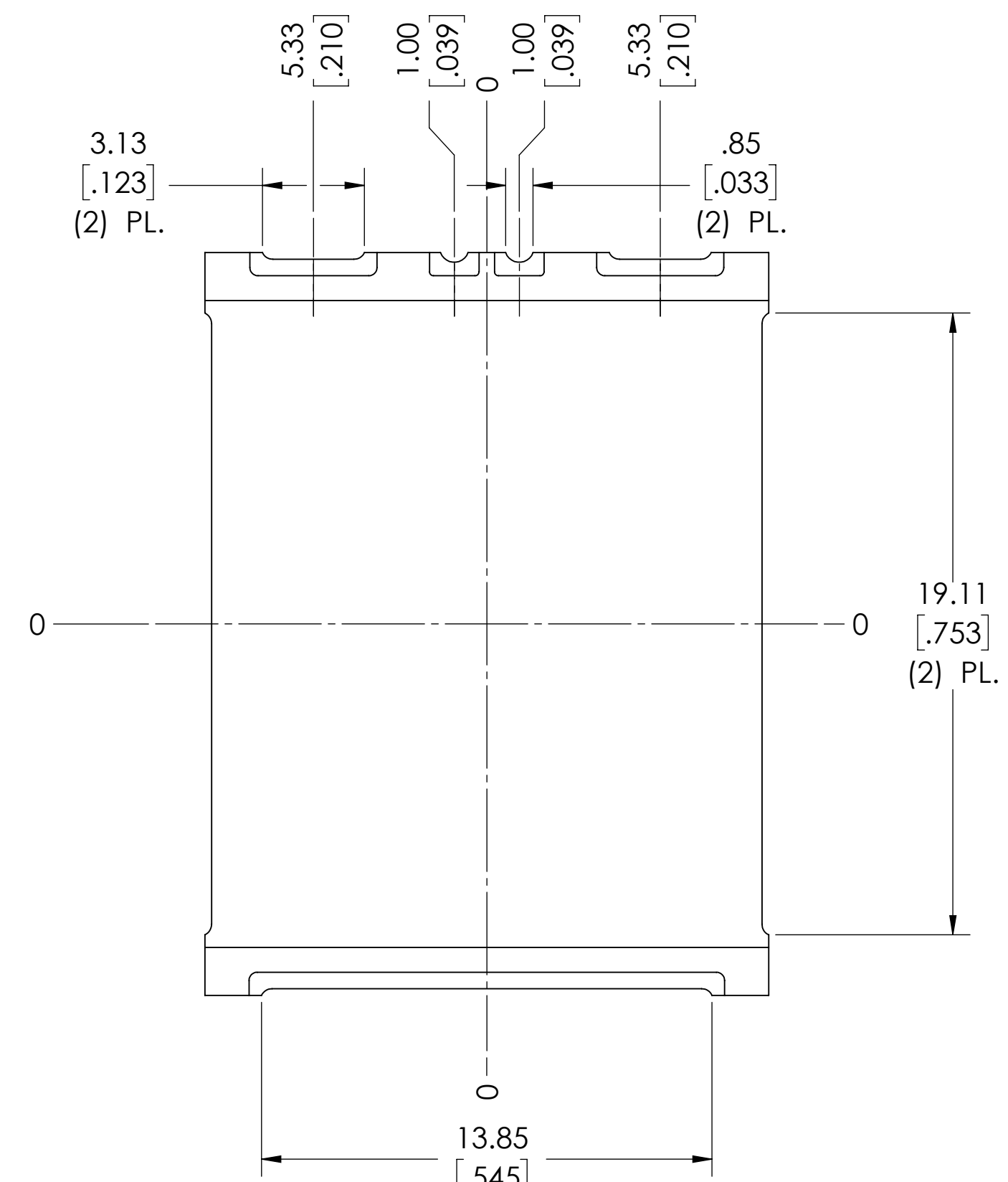
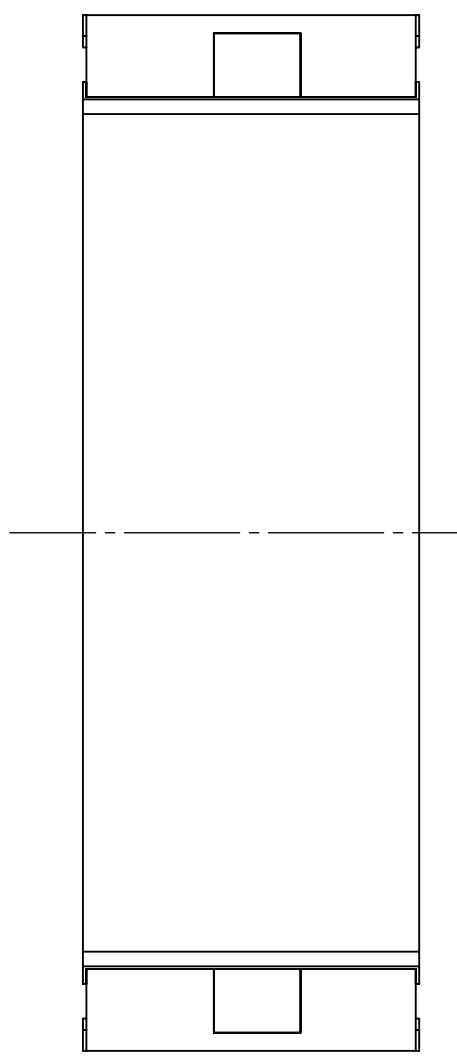


VICOR CONFIDENTIAL
 THIS DOCUMENT AND THE DATA DISCLOSED HEREIN OR
 HEREWITH IS NOT TO BE REPRODUCED, COPIED, OR
 DISCLOSED IN WHOLE OR IN PART TO ANYONE WITHOUT
 THE PERMISSION OF VICOR CORP.

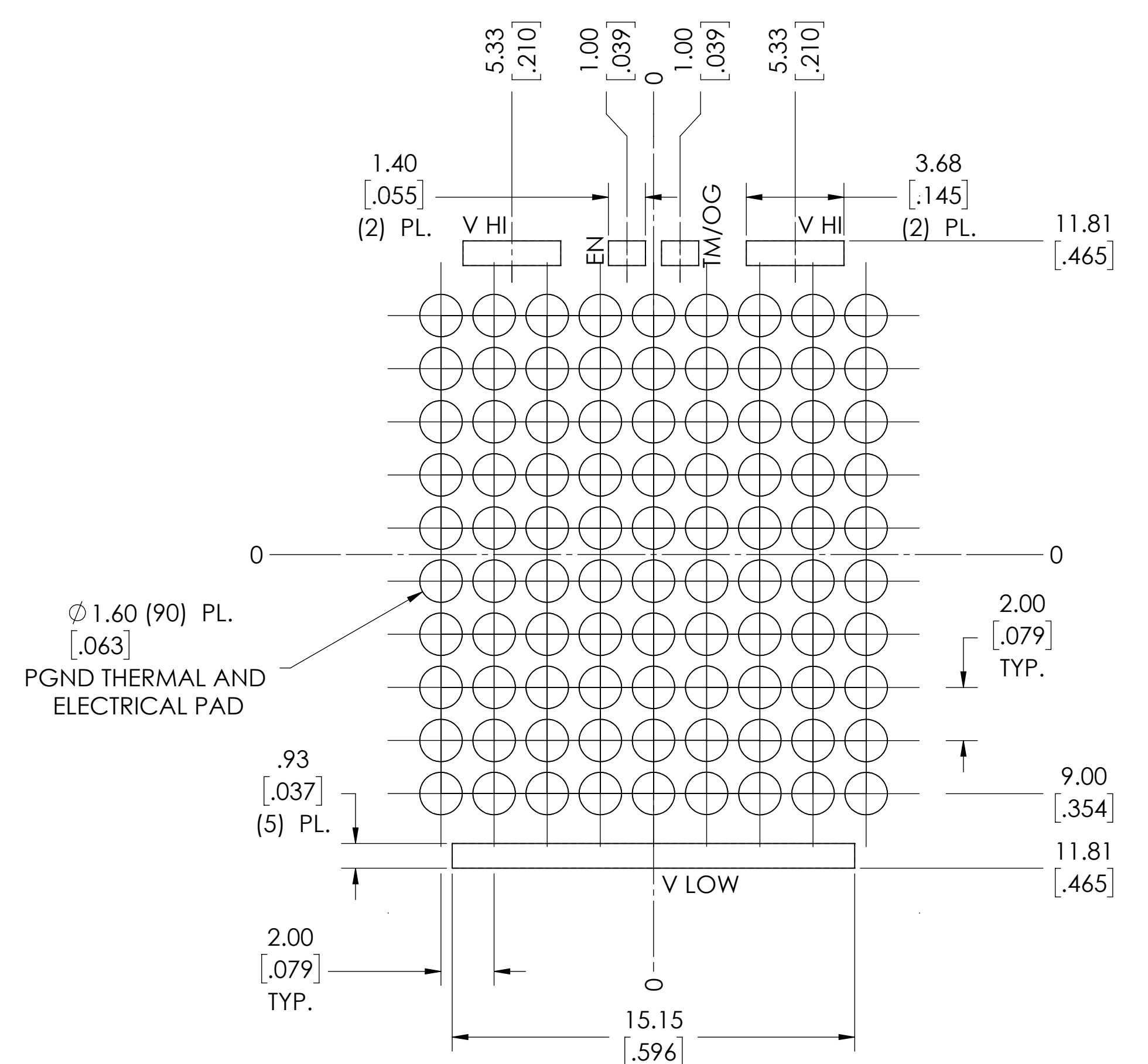
REV.	DESCRIPTION	INTL	DATE	APVD
1	RELEASE PER E180464A	GCK	06/22/18	SC
2	REVISED PER E210068	CL	02/04/21	REJH



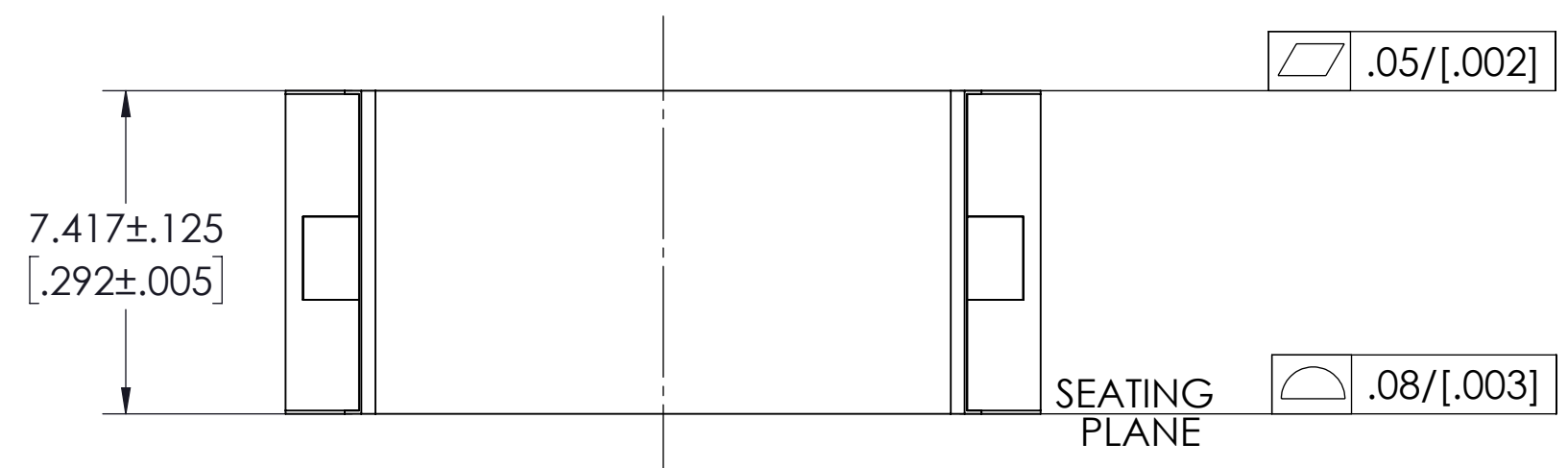
TOP VIEW (COMPONENT SIDE)



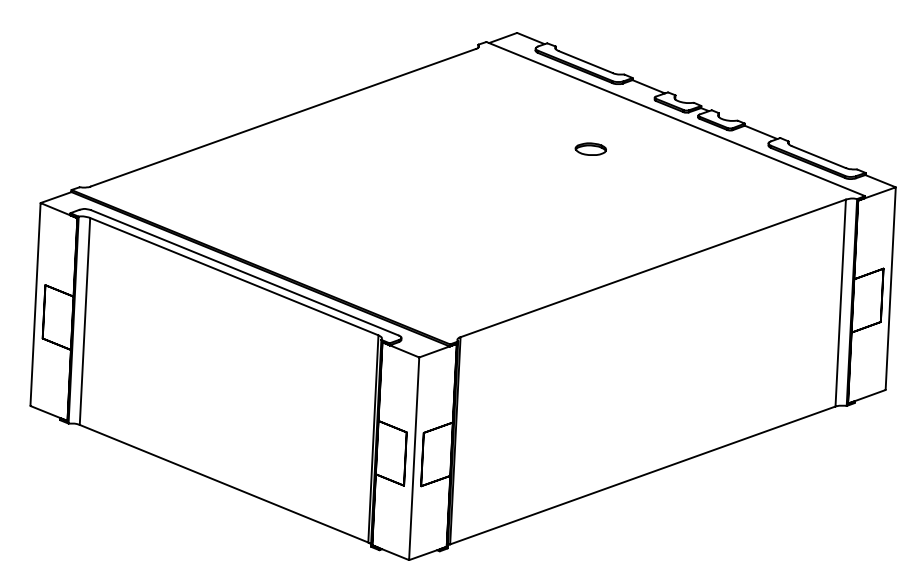
BOTTOM VIEW



**RECOMMENDED LAND PATTERN
 2317 NBM TC3
 (COMPONENT SIDE)**



2317 NBM TC3



NOTES:
 1. RoHS COMPLIANT, LEAD FREE PER CST-0001, LATEST REVISION

DRAWN BY Mike Lafleur	DATE 4/15/2017	VICOR SWD	
UNLESS OTHERWISE SPECIFIED DIMENSIONS ARE : MM / (INCH)		PRODUCT OUTLINE SMChIP 2317 NBM TC3	
TOLERANCES ARE: DECIMALS ANGLES XXX (X.XX) = +0.25 (0.01) ±1° XXXX (X.XXX) = ±0.127 (0.005)		SIZE D	CAGE CODE 67131
THIRD ANGLE PROJECTION DO NOT SCALE DRAWING		DWG NO 45810	REV 2
SCALE: 6:1		SHEET 1 OF 1	