

8

7

6

5

4

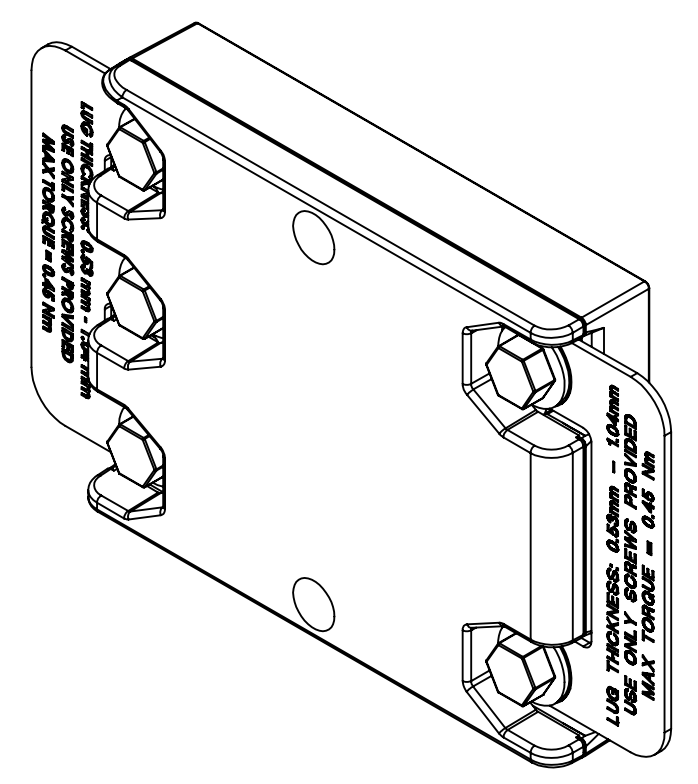
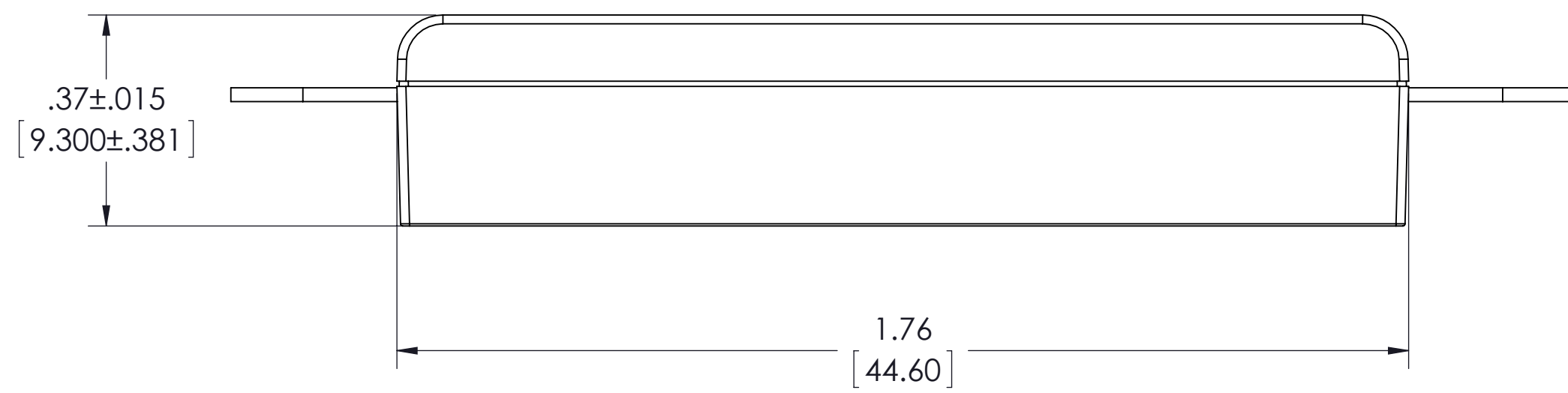
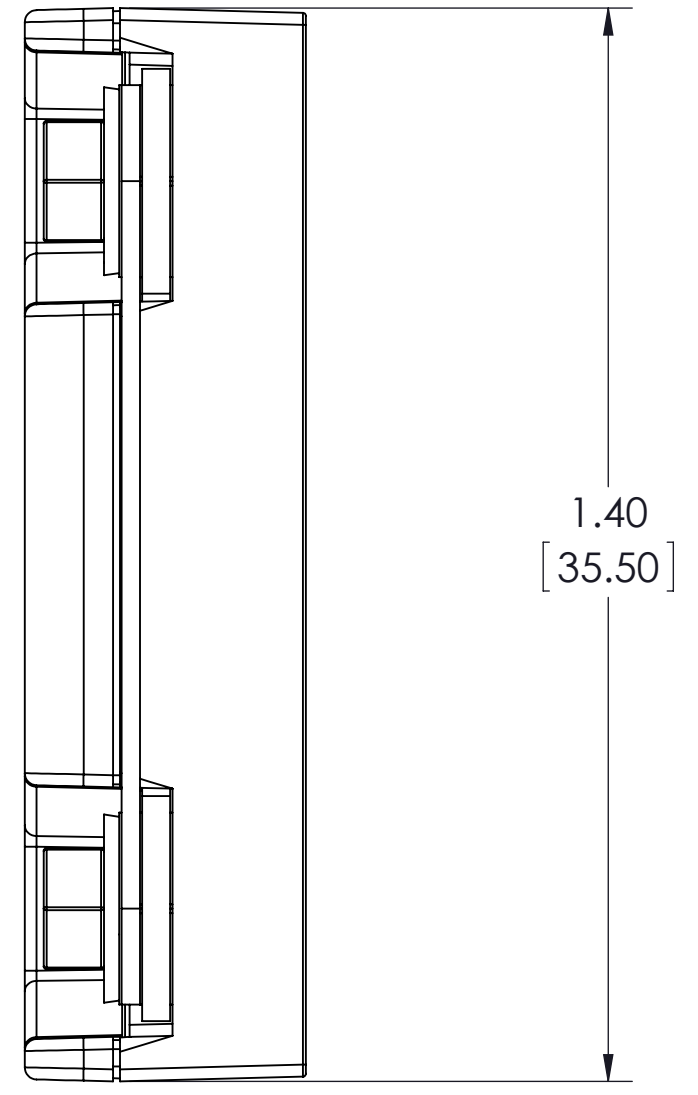
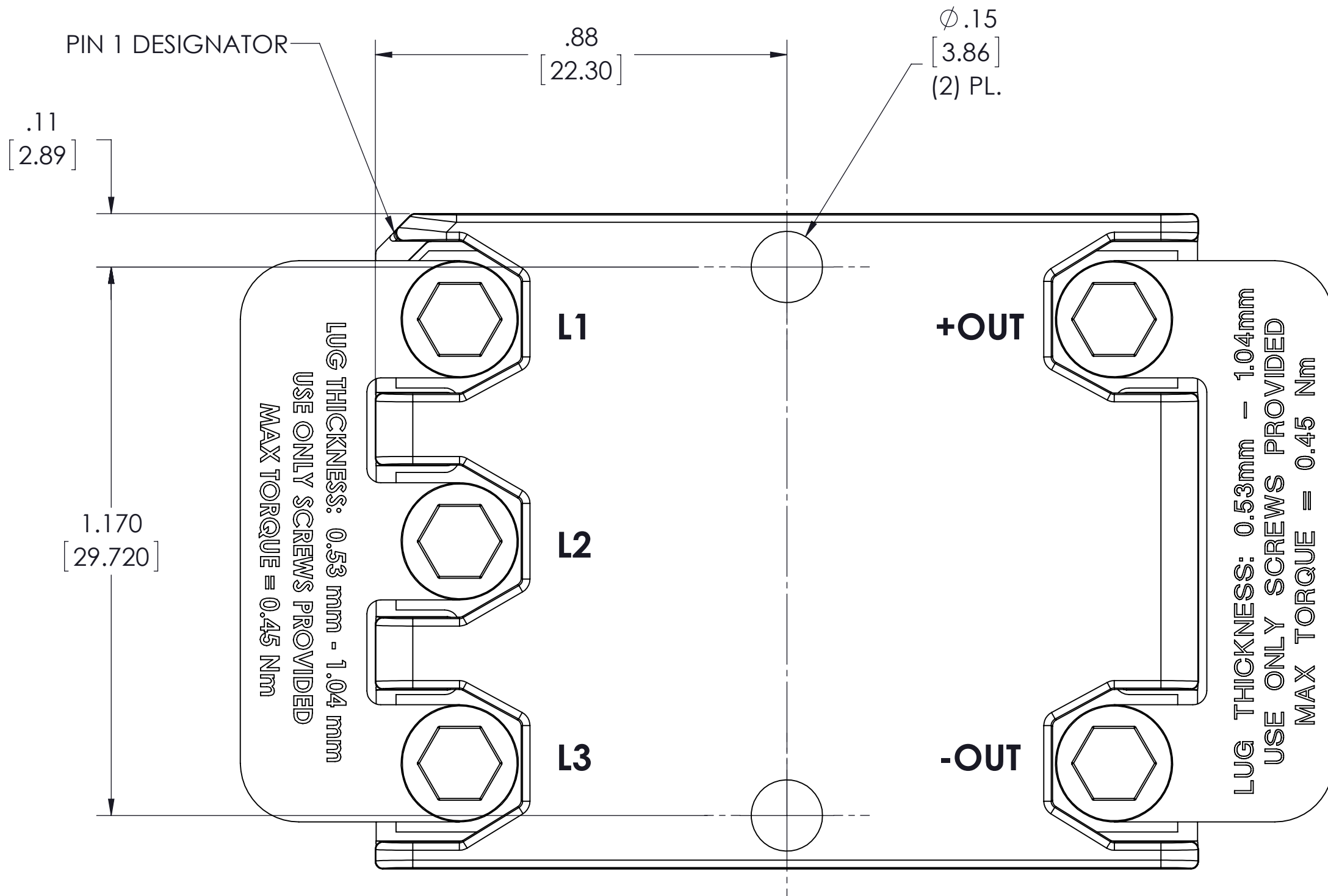
3

2

1

VICOR CONFIDENTIAL
 THIS DOCUMENT AND THE DATA DISCLOSED HEREIN OR
 HEREWITH IS NOT TO BE REPRODUCED, USED OR
 DISCLOSED IN WHOLE OR IN PART TO ANYONE WITHOUT
 THE PERMISSION OF VICOR CORP.

REV.	DESCRIPTION	INTL	DATE	APVD
1	RELEASE PER E170861	REJH	09/30/17	EB



NOTE:
 1. RoHS COMPLIANT PER CST-0001 LATEST REVISION.

DRAWN BY Matthew Biron	DATE 5/18/2016	SWD			
UNLESS OTHERWISE SPECIFIED DIMENSIONS ARE : INCH / (MM)		PROD OUTL CHASSIS MNT 3 PHASE AIM			
TOLERANCES ARE: DECIMALS: X.XX [X.XX] = ±0.01 [0.25] ±1° X.XXX [X.XXX] = ±0.005 [0.127]		SIZE C	CAGE CODE 67131	DWG NO 44314	REV 1
THIRD ANGLE PROJECTION DO NOT SCALE DRAWING		SCALE 4:1	SHEET 1 OF 1		

8

7

6

5

4

3

2

1