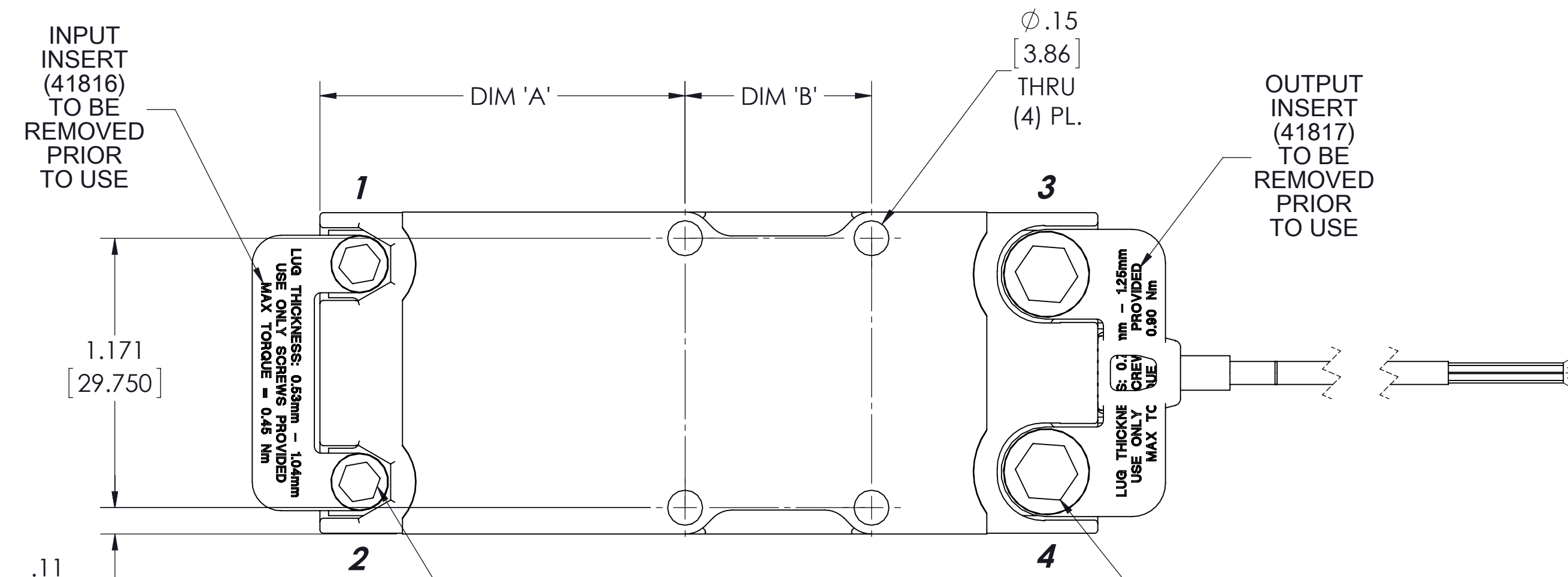
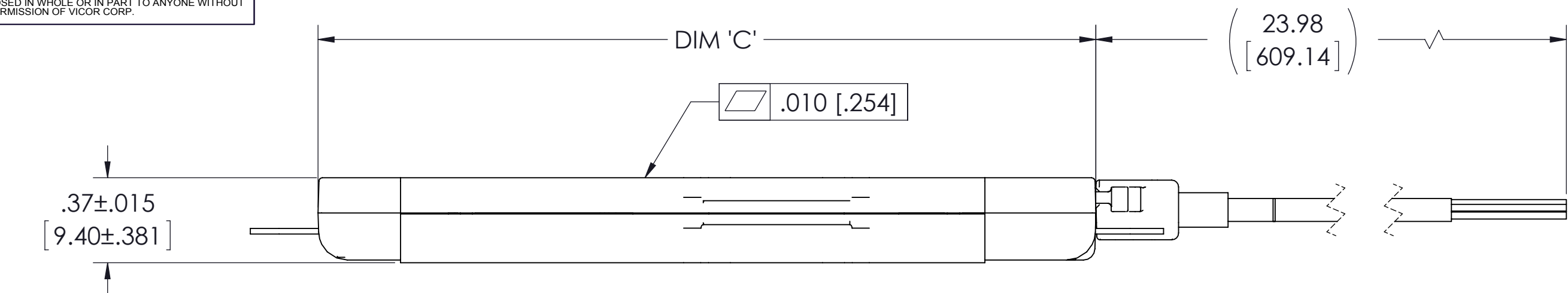
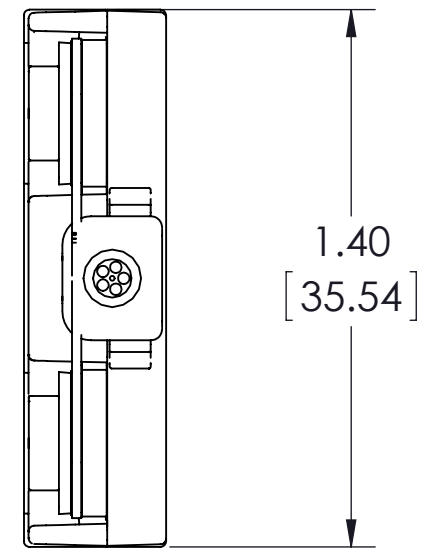


VICOR CONFIDENTIAL  
 THIS DOCUMENT AND THE DATA DISCLOSED HEREIN OR HEREWITH IS NOT TO BE REPRODUCED, USED OR DISCLOSED IN WHOLE OR IN PART TO ANYONE WITHOUT THE PERMISSION OF VICOR CORP.

| REV. | DESCRIPTION           | INTL | DATE       | APVD |
|------|-----------------------|------|------------|------|
| 1    | RELEASED PER E151370a | JF   | 12/28/2015 | YZ   |
| 2    | REVISED PER E171079   | JM   | 12/12/17   | REJH |
| 3    | REVISED PER E180134   | REJH | 02/18/18   | DK   |



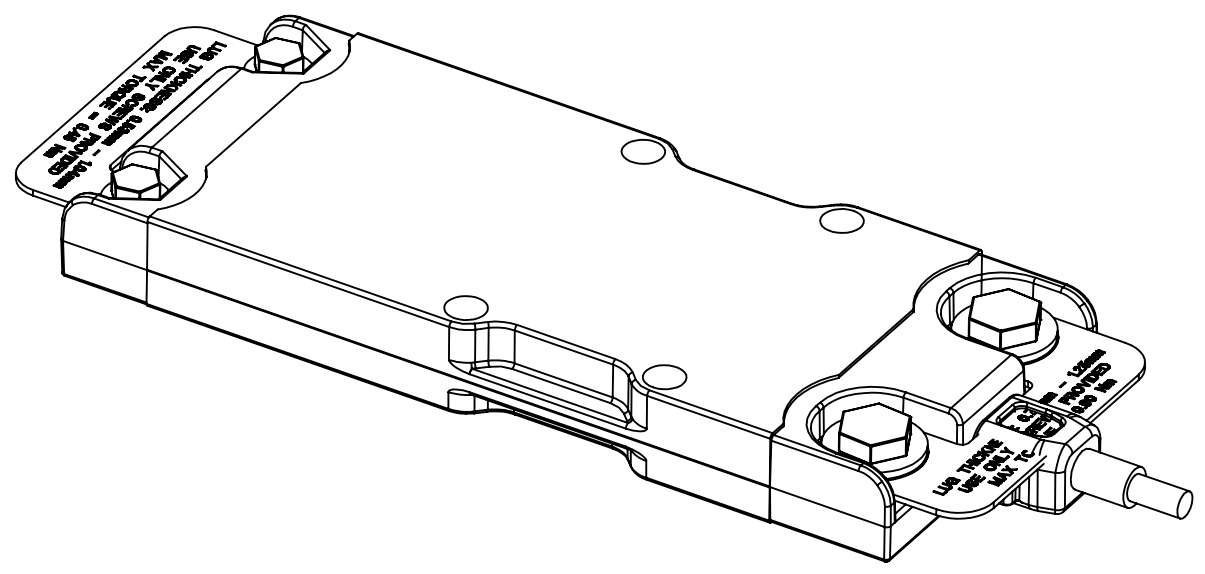
- 5 RED
- 6 BLACK
- 7 BLUE
- 8 WHITE
- 9 YELLOW



USE TYCO LUG #324159 OR EQUIV. FOR INPUT CONNECTION ALL PRODUCTS

USE TYCO LUG #696049-1 OR EQUIVALENT FOR PRODUCTS WITH - OUT RETURN TO CASE, USE TYCO LUG #2-36161-6 OR EQUIVALENT FOR ALL OTHER PRODUCTS.

| PRODUCT                       | DIM 'A'      | DIM 'B'        | DIM 'C'       |
|-------------------------------|--------------|----------------|---------------|
| 3414 DCM                      | 1.61 [40.93] | .788 [20.005]  | 3.38 [85.93]  |
| 3714 DCM                      | 1.61 [40.93] | 1.150 [29.200] | 3.75 [95.13]  |
| 3814 NBM - OUT RETURN TO CASE | 1.02 [25.96] | 1.277 [32.430] | 3.76 [95.59]  |
| 3814 BCM - OUT RETURN TO CASE | 1.02 [25.96] | 1.277 [32.430] | 3.76 [95.59]  |
| 4414 BCM                      | 1.61 [40.93] | 1.757 [44.625] | 4.35 [110.55] |
| 4414 BCM - OUT RETURN TO CASE | 1.61 [40.93] | 1.277 [32.430] | 4.35 [110.55] |
| 4414 PFM                      | 1.61 [40.93] | 1.757 [44.625] | 4.35 [110.55] |



NOTES:  
 1- RoHS COMPLIANT PER CST-0001 LATEST REVISION.  
 2- SEE PRODUCT DATA SHEET FOR PIN DESIGNATIONS.

|                                                                                                                                |                  |                                             |                           |
|--------------------------------------------------------------------------------------------------------------------------------|------------------|---------------------------------------------|---------------------------|
| DRAWN BY<br>R.E.J. Hickey                                                                                                      | DATE<br>5/7/2015 | <b>VICOR</b> SWD                            |                           |
| UNLESS OTHERWISE SPECIFIED DIMENSIONS ARE : INCH / [MM]                                                                        |                  | <b>PROD OUTL, VIA, CHASSIS MNT, W/COMM.</b> |                           |
| TOLERANCES ARE:<br>DECIMALS                      ANGLES<br>X.XX [X.XX] = ±0.01 [0.25]    ±1°<br>X.XXX [X.XXX] = ±0.005 [0.127] |                  | SIZE<br><b>C</b>                            | CAGE CODE<br><b>67131</b> |
| THIRD ANGLE PROJECTION<br>                                                                                                     |                  | DWG NO<br><b>42689</b>                      | REV<br><b>3</b>           |
| DO NOT SCALE DRAWING                                                                                                           |                  | SCALE 2:1                                   | SHEET 1 OF 1              |