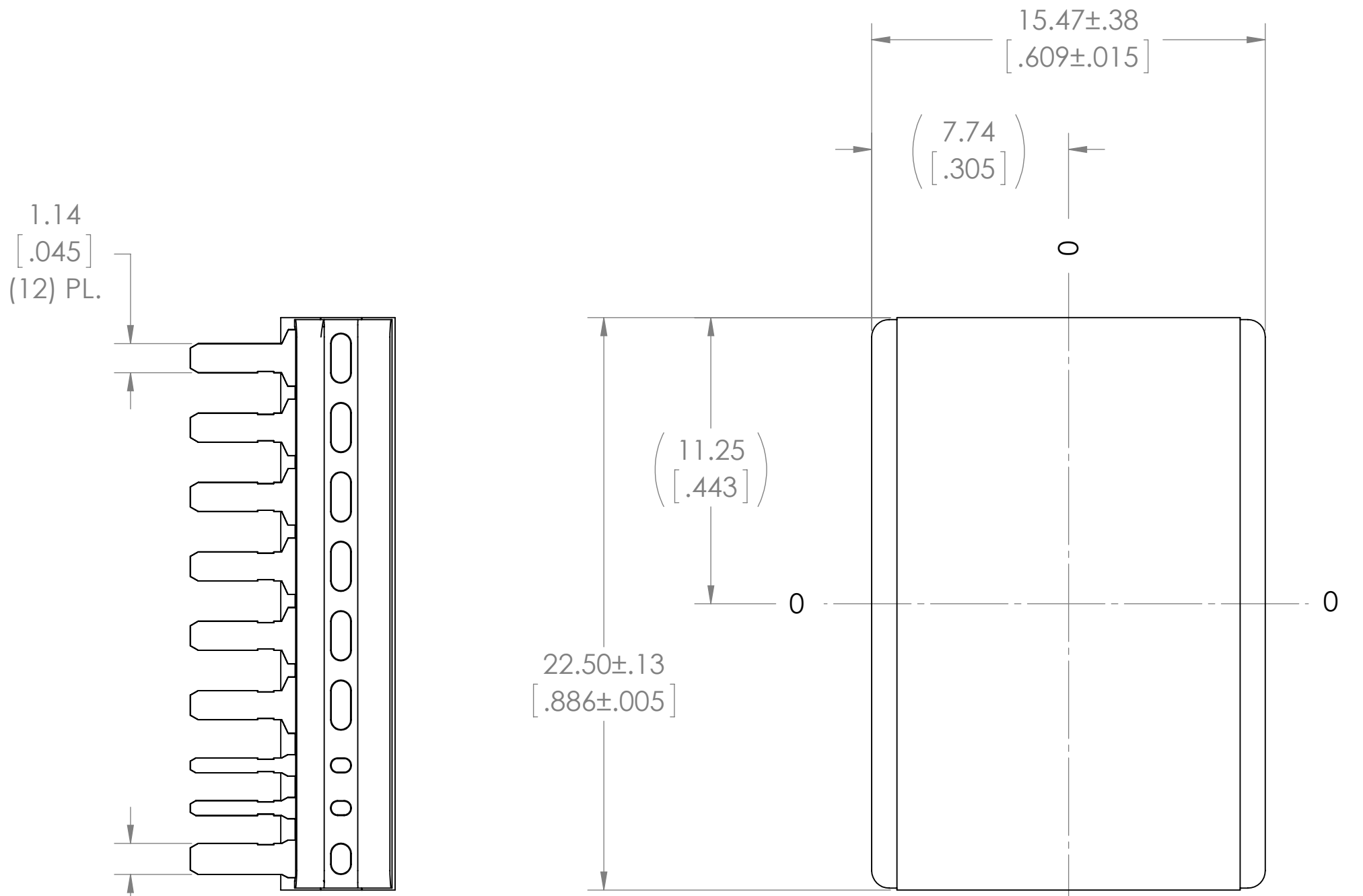
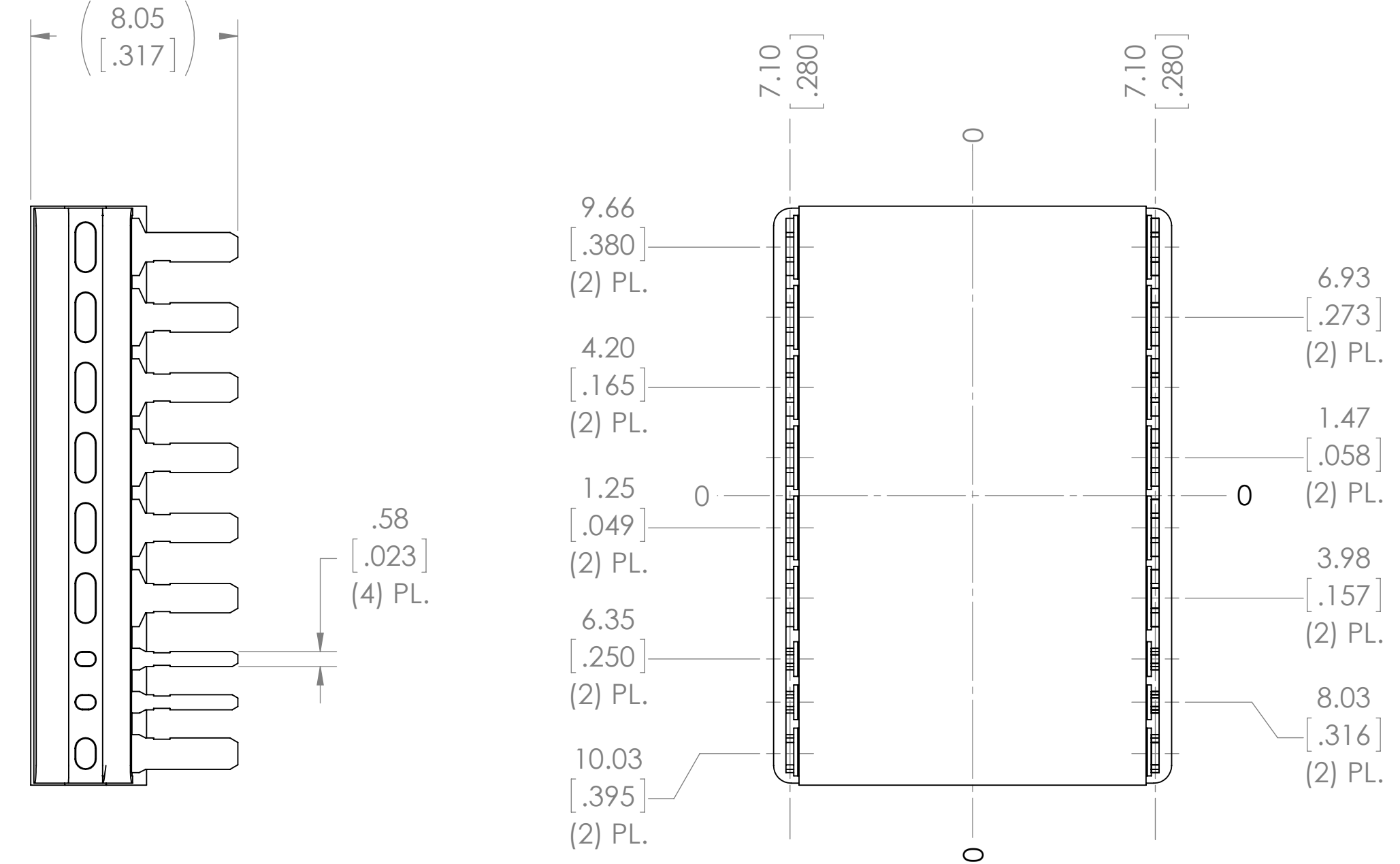


VICOR CONFIDENTIAL
 THIS DOCUMENT AND THE DATA DISCLOSED HEREIN OR
 HEREON IS NOT TO BE REPRODUCED, COPIED, OR
 DISCLOSED IN WHOLE OR IN PART TO ANYONE WITHOUT
 THE PERMISSION OF VICOR CORP.

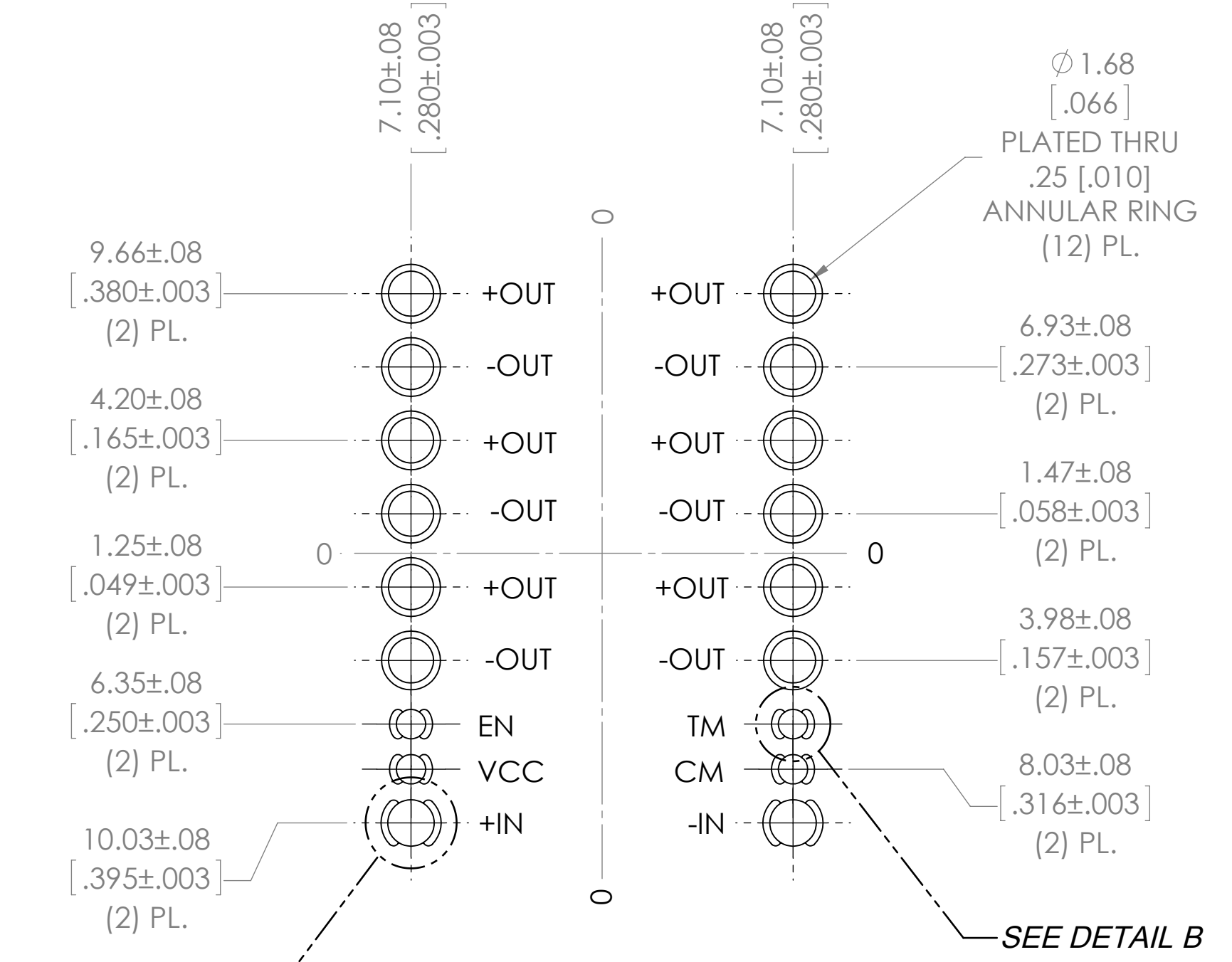
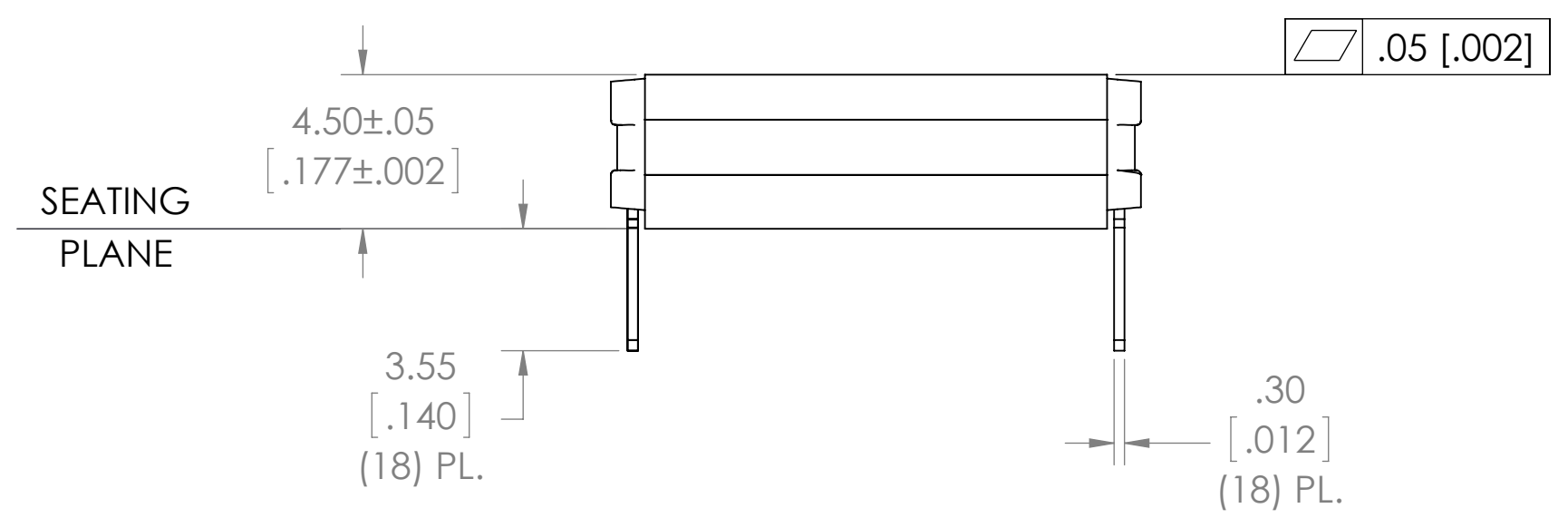
REV.	DESCRIPTION	INTL	DATE	APVD
#1	DRAWN FOR DEVELOPMENT	MBL	08/27/13	MBL
#2	INCREASED TERMINAL CENTER DISTANCE	MBL	09/06/13	MBL
#3	ADDED PIN NAMES	REJH	09/26/13	MBL
#4	REDRAW TO SOLIDWORKS	REJH	10/28/13	REJH



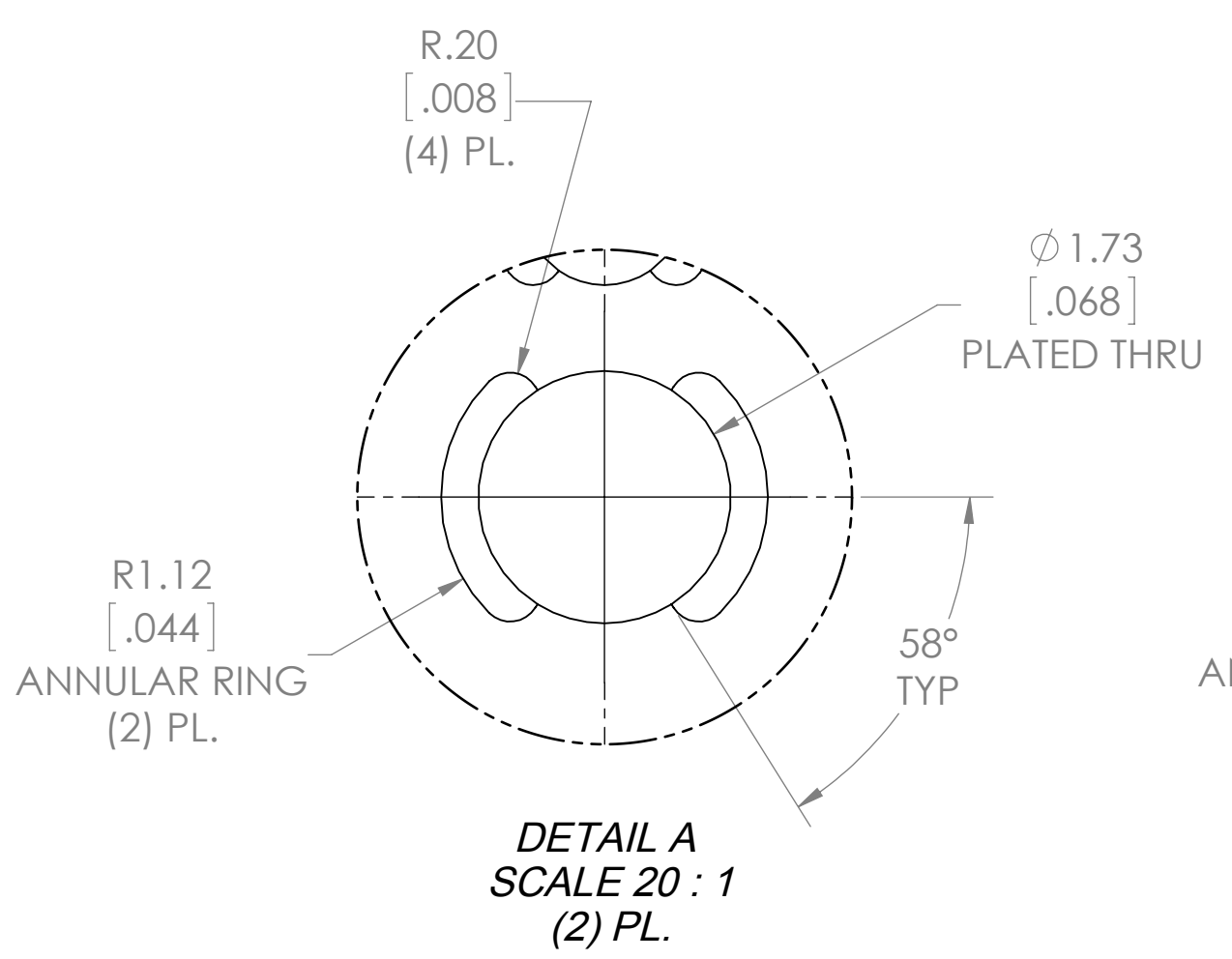
TOP VIEW (COMPONENT SIDE)



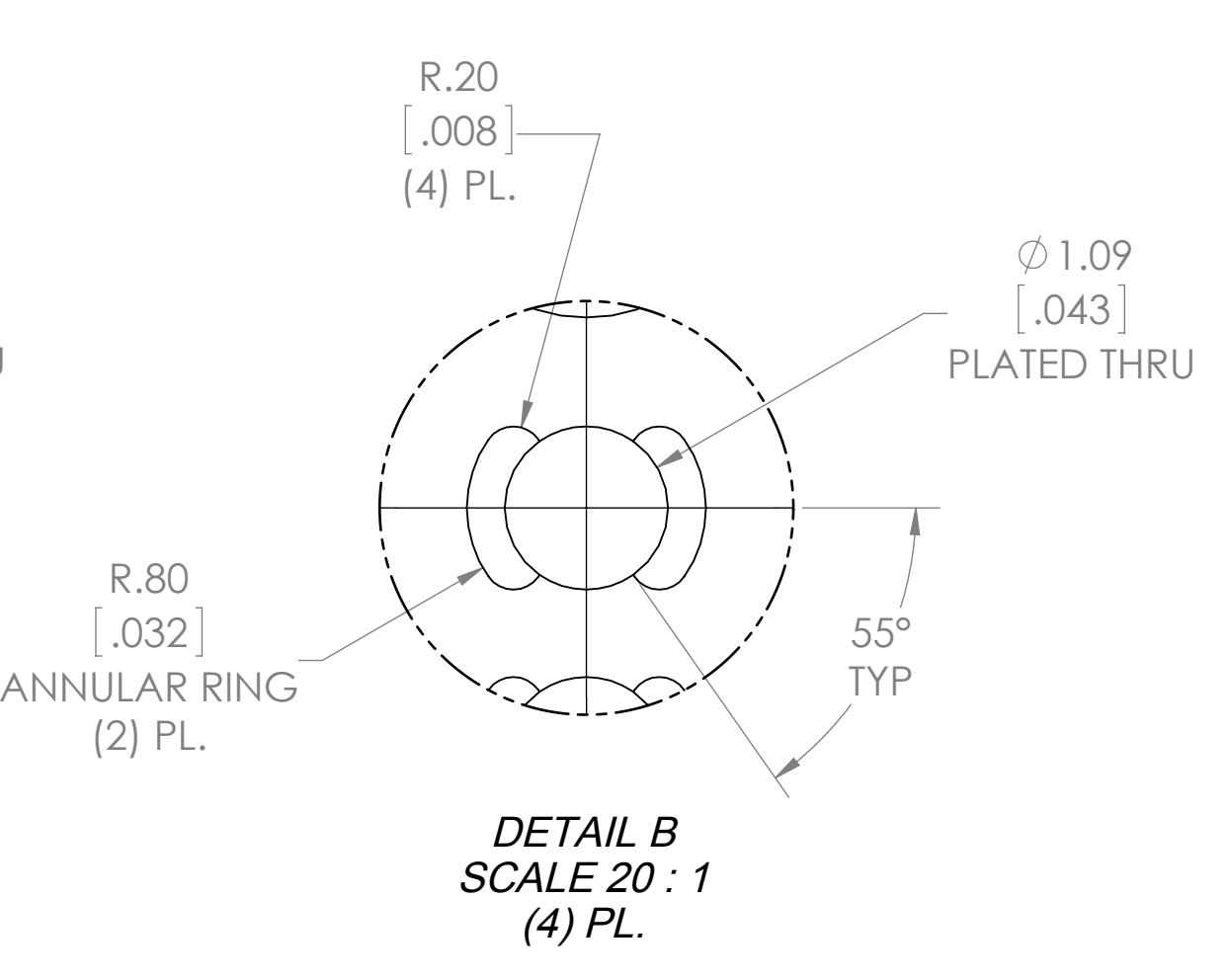
BOTTOM VIEW



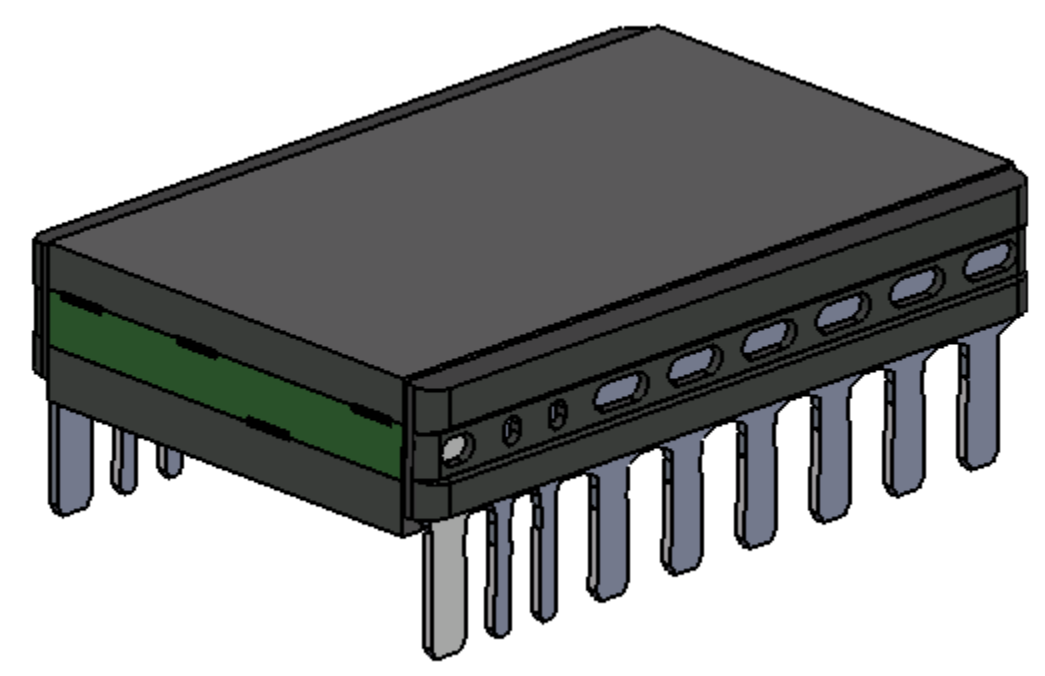
RECOMMENDED HOLE PATTERN (COMPONENT SIDE)



DETAIL A SCALE 20 : 1 (2) PL.



DETAIL B SCALE 20 : 1 (4) PL.



DRAWN BY Mike Lafleur	DATE 8/27/2013	VICOR SWD	
UNLESS OTHERWISE SPECIFIED DIMENSIONS ARE : INCH / (MM)		PRODUCT OUTLINE 1323 THRU HOLE (LL)	
TOLERANCES ARE: DECIMALS ANGLES X.XX (X.X) = +0.01 (0.25) ±1° X.XXX (X.XX) = ±0.005 (0.127)		SIZE D	CAGE CODE 67131
THIRD ANGLE PROJECTION DO NOT SCALE DRAWING		DWG NO 40217	REV #4
SCALE 5:1		SHEET 1 OF 1	