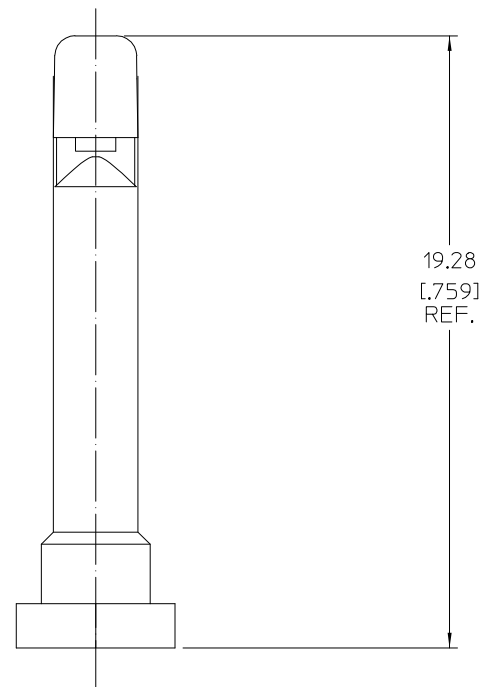
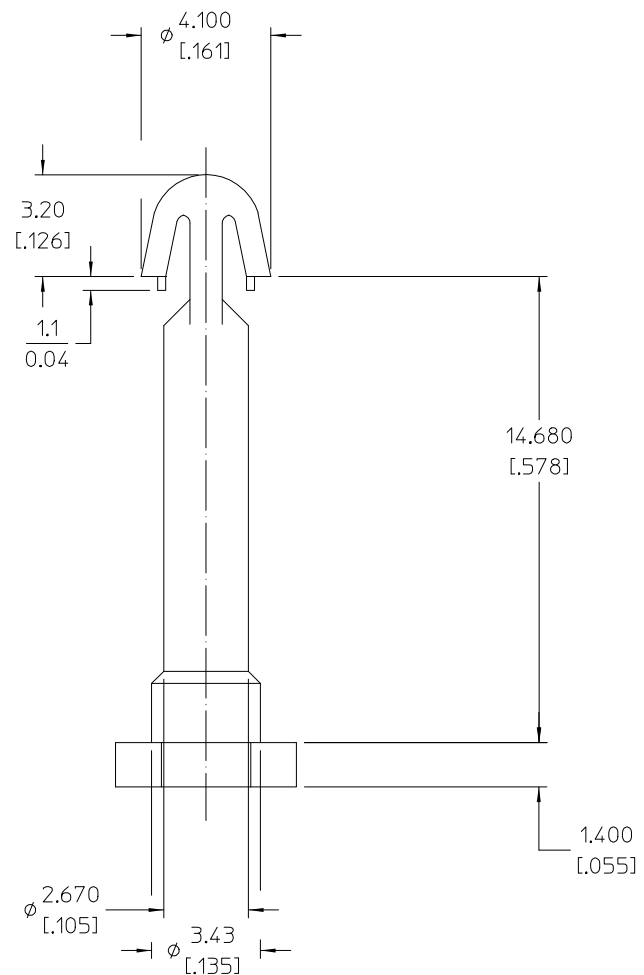
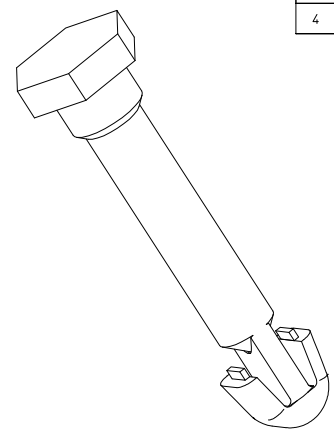
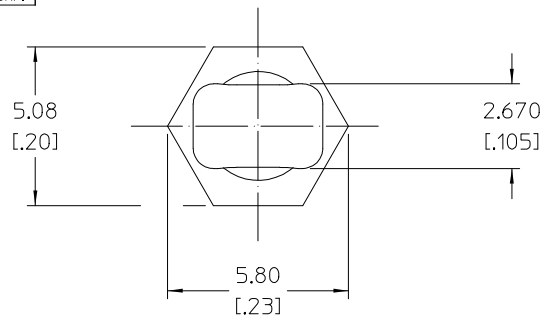


**VICOR CONFIDENTIAL**

THIS DOCUMENT AND THE DATA DISCLOSED  
HEREIN OR HEREWITH IS NOT TO BE REPRODUCED,  
USED, OR DISCLOSED IN WHOLE OR IN PART  
TO ANYONE WITHOUT PERMISSION OF VICOR CORP.

REV.	DESCRIPTION	DATE	APVD
1	RELEASED PER E063757	04/03/06	RLT
2	REVISED PER E063328	9/25/06	ECF
3	REVISED PER E100076	01/17/10	REJH
4	REVISED PER E100389	3/26/10	REJH



**NOTES:**

1. MATERIAL: NYLON 66, 94V-2, COLOR: BLUE, NO REGRIND PERMITTED.
2. RoHS COMPLIANT, LEAD FREE PER CST-0001 LATEST REVISION.

DRAWN BY	DATE
D.CYMAR	1/30/06
UNLESS OTHERWISE SPECIFIED DIMENSIONS ARE IN (INCH)	
TOLERANCES ARE:	
DECIMALS	ANGLES
.XX = ± 0.25 [01]	± 1°
.XXX = ± 0.127 [005]	
THIRD ANGLE PROJECTION	
DO NOT SCALE DRAWING	



<b>PUSH PIN BLUE</b>			
<b>VIC JLEAD HEATSINK (19.3mm)</b>			
SIZE	FSCM NO.	DWG NO	REV
©	67131	32429	4
SCALE	8:1		SHEET 1 OF 1