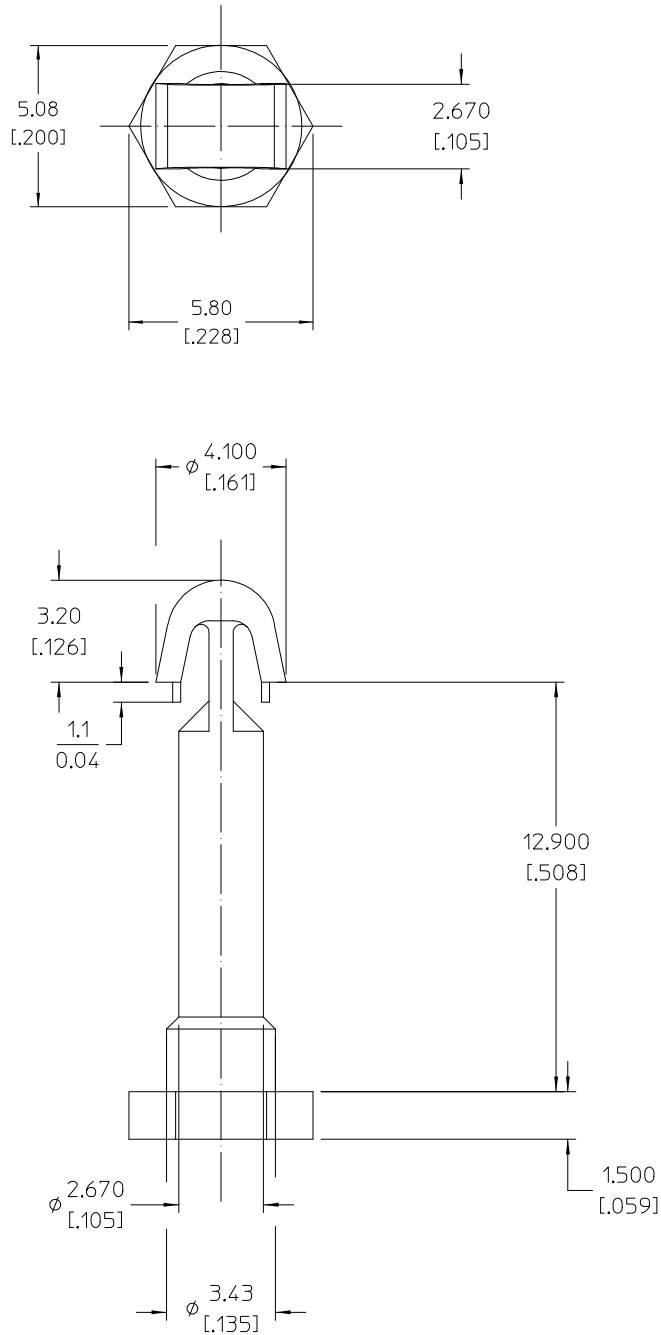
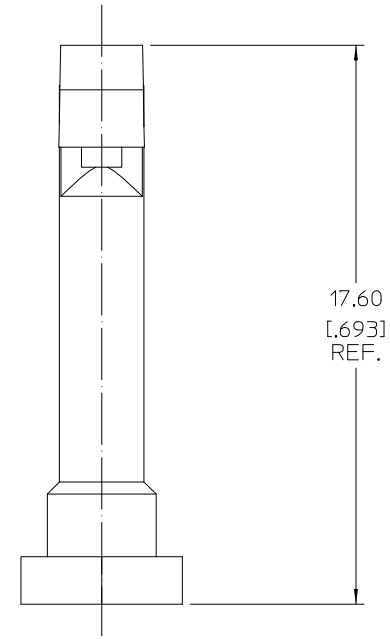


VICOR CONFIDENTIAL

THIS DOCUMENT AND THE DATA DISCLOSED
HEREIN OR HEREWITH IS NOT TO BE REPRODUCED,
USED, OR DISCLOSED IN WHOLE OR IN PART
TO ANYONE WITHOUT PERMISSION OF VICOR CORP.



REV.	DESCRIPTION	DATE	APVD
1	RELEASED PER E053460	12/08/05	LEK
2	REVISED PER E063752	03/30/06	PEI
3	REVISED PER E063328	9/22/06	GCK
4	REVISED PER E100076	01/17/10	JS
5	REVISED PER E100389	3/26/10	GCK



NOTES:

1. MATERIAL: NYLON 66, 94V-2, COLOR: WHITE, NO REGRIND PERMITTED.
2. RoHS COMPLIANT, LEAD FREE PER CST-0001 LATEST REVISION.

DRAWN BY	DATE
D.CIVINAR	7/28/05

UNLESS OTHERWISE SPECIFIED
DIMENSIONS ARE IN (INCH)
TOLERANCES ARE:
 DECIMALS ANGLES
 .XX = ± 0.25 [01] ± 1°
 .XXX = ± 0.127 [005]

THIRD ANGLE PROJECTION	SCALE	FSCM NO.	DWG NO	REV
	8:1	67131	30555	5

DO NOT SCALE DRAWING



**PUSH-PIN,
VIC J-LEAD HEATSINK**

SCALE	8:1	SHEET	1	OF	1
-------	-----	-------	---	----	---