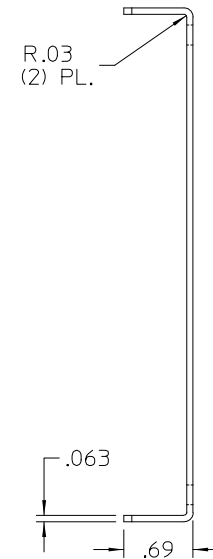
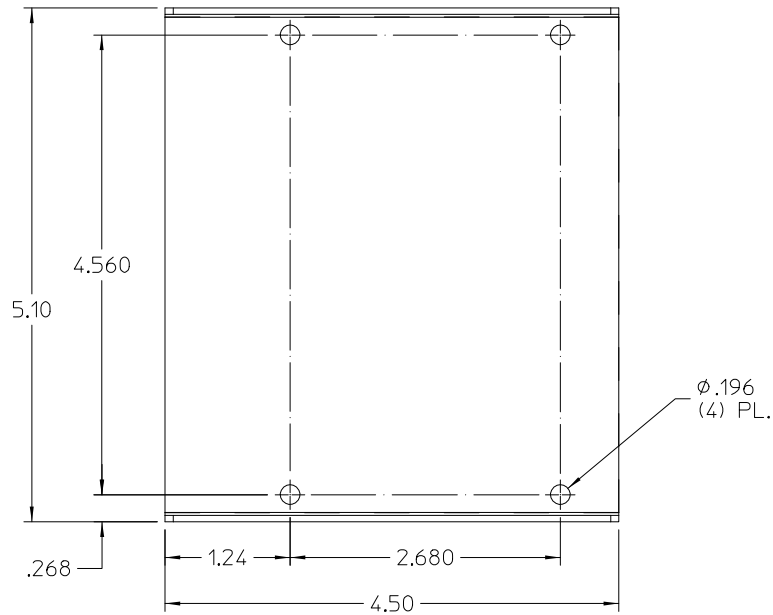



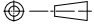
THIS DOCUMENT AND THE DATA DISCLOSED
HEREIN OR HEREWITH IS NOT TO BE REPRODUCED,
USED, OR DISCLOSED IN WHOLE OR IN PART
TO ANYONE WITHOUT PERMISSION OF VICOR CORP.

REV.	DESCRIPTION	DATE	APPROVED
1	RELEASE PER E130476	GCK 4/1/13	MH



NOTES:

1. MAT'L: SMOKED LEXAN
2. HOLES MAY BE MADE PRIOR TO FORMING.
ELONGATION OF HOLES PERMISSIBLE.
3. REMOVE ALL BURRS AND SHARP EDGES.
4. FINISH: NONE
5. RoHS COMPLIANT PER CST-0001, LATEST REVISION.

DRAWN BY <i>D.P. KELLY</i>		DATE <i>09/04</i>		 CONFIG COVER WIDE	
<small>UNLESS OTHERWISE SPECIFIED DIMENSIONS ARE IN INCHES- TOLERANCES ARE: FRACTIONS DECIMALS ANGLES +1/64 .XX+ .01 +1° .XXX-.005</small>					
THIRD ANGLE PROJECTION 		SIZE C	FSCM NO. 67131	DWG NO. 28872	REV 1
DO NOT SCALE DRAWING		SCALE 1:1	SHEET 1 OF 1		