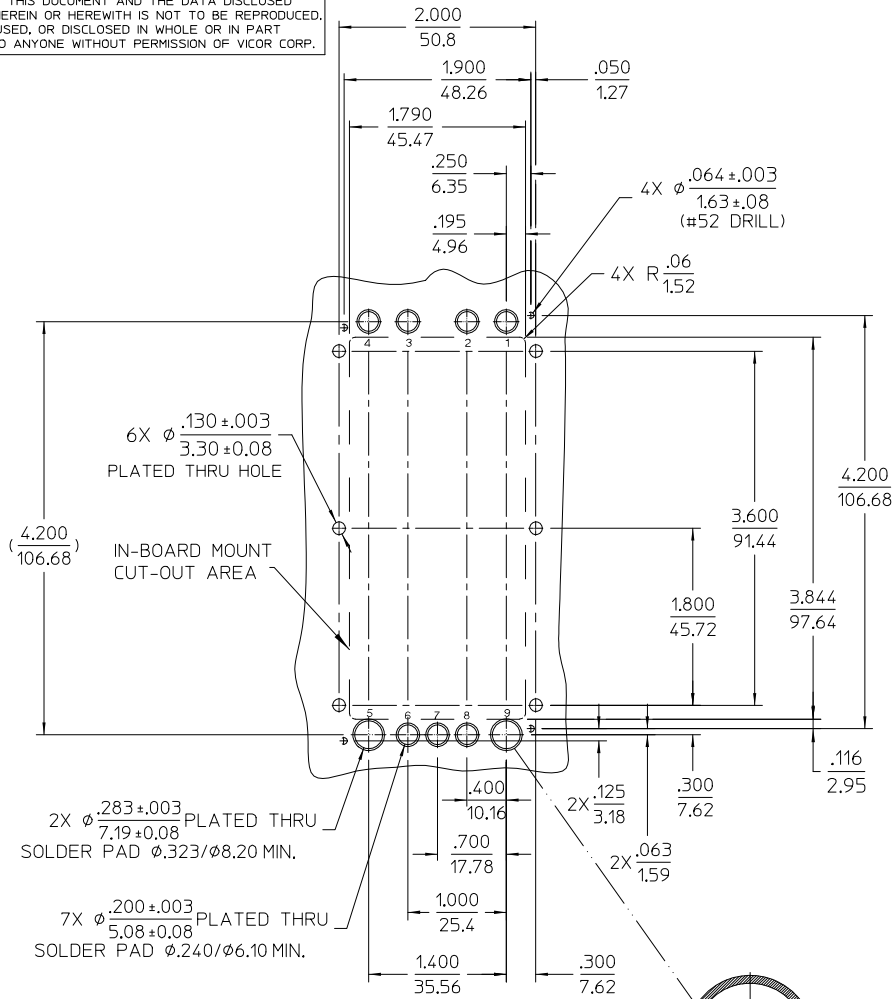


THIS DOCUMENT AND THE DATA DISCLOSED HEREIN OR HEREWITH IS NOT TO BE REPRODUCED, USED, OR DISCLOSED IN WHOLE OR IN PART TO ANYONE WITHOUT PERMISSION OF VICOR CORP.



COMPONENT SIDE SHOWN

PC BOARD LAYOUT

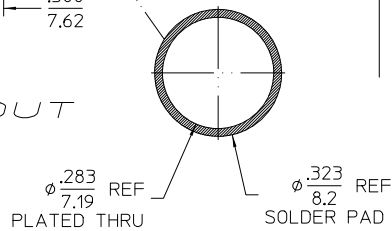
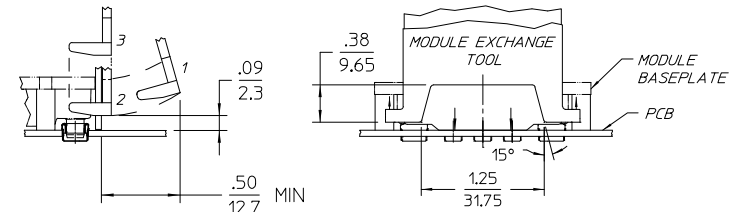
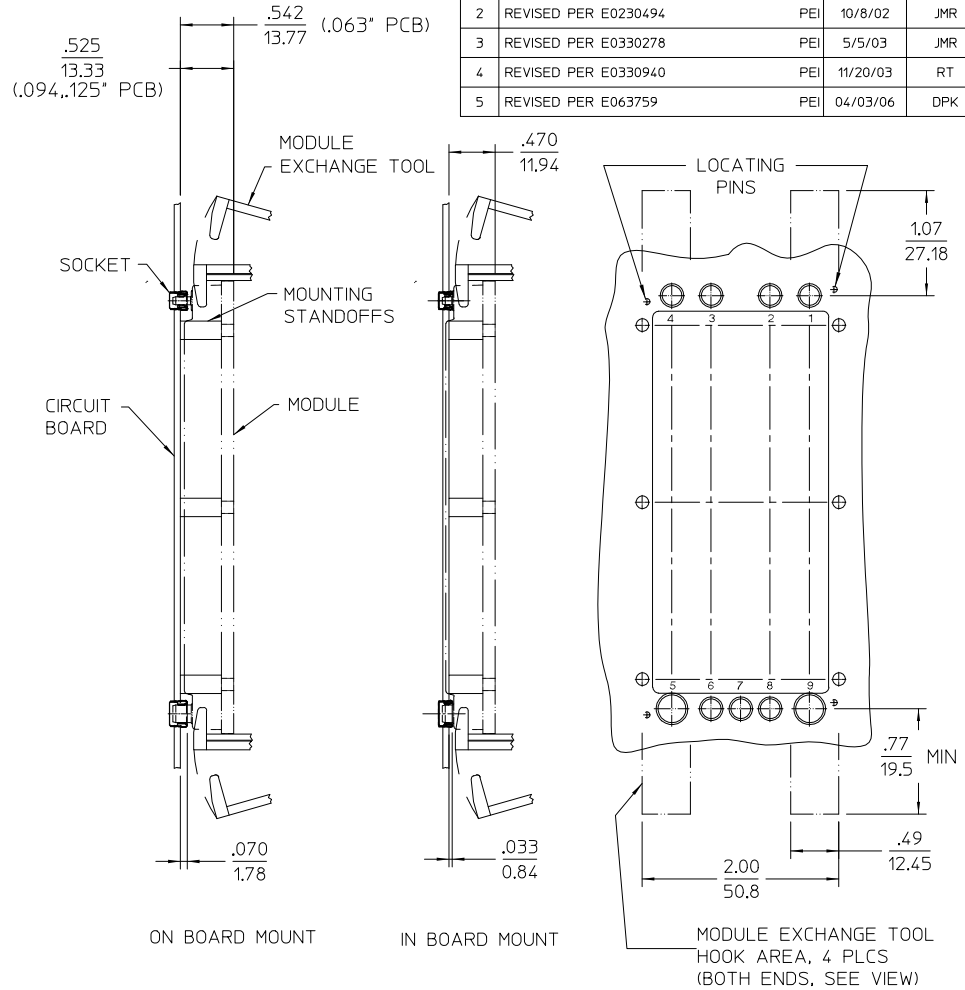


TABLE I			
PIN NO.	MODULE INFORMATION		
	SYMBOL	FUNCTION	PIN DIA.
1	+	+ I N	.080 / 2.03
2	PC	PRIM CONTROL	.080 / 2.03
3	PR	PARALLEL	.080 / 2.03
4	-	- I N	.080 / 2.03
5	-	- OUT	.180 / 4.57
6	-S	- SENSE	.080 / 2.03
7	SC	SEC CONTROL	.080 / 2.03
8	+S	+ SENSE	.080 / 2.03
9	+	+ OUT	.180 / 4.57

NOTES:

- ALL DIMENSIONS ARE INCH OR INCH/METRIC. METRIC
- ANSI / IPD-D-300 SPECIFICATIONS APPLY FOR CLASS "B" BOARDS.
- APPLICATION:
 - INSERT INMATE HEADER FROM PCB COMPONENT SIDE.
 - WAVE SOLDER SOCKETS.
 - PULL TO REMOVE PLASTIC HEADER.
- DIMENSIONS APPLY AFTER PLATING.

REV.	DESCRIPTION	DATE	APPROVED
1	RELEASED PER E0230307	PEI 7/11/02	JMR
2	REVISED PER E0230494	PEI 10/8/02	JMR
3	REVISED PER E0330278	PEI 5/5/03	JMR
4	REVISED PER E0330940	PEI 11/20/03	RT
5	REVISED PER E063759	PEI 04/03/06	DPK



DRAWN BY D.P. KELLY	DATE 2/98			
<small>UNLESS OTHERWISE SPECIFIED DIMENSIONS ARE IN INCHES - TOLERANCES ARE: FRACTIONS DECIMALS ANGLES</small> +1/64 .XXX+.01 .XXX+.005 °P				
THIRD ANGLE PROJECTION	SIZE C	FSCM NO. 67131	DWG NO. 18400	REV. 5
DO NOT SCALE DRAWING	SCALE FULL	SHEET 1 OF 1		