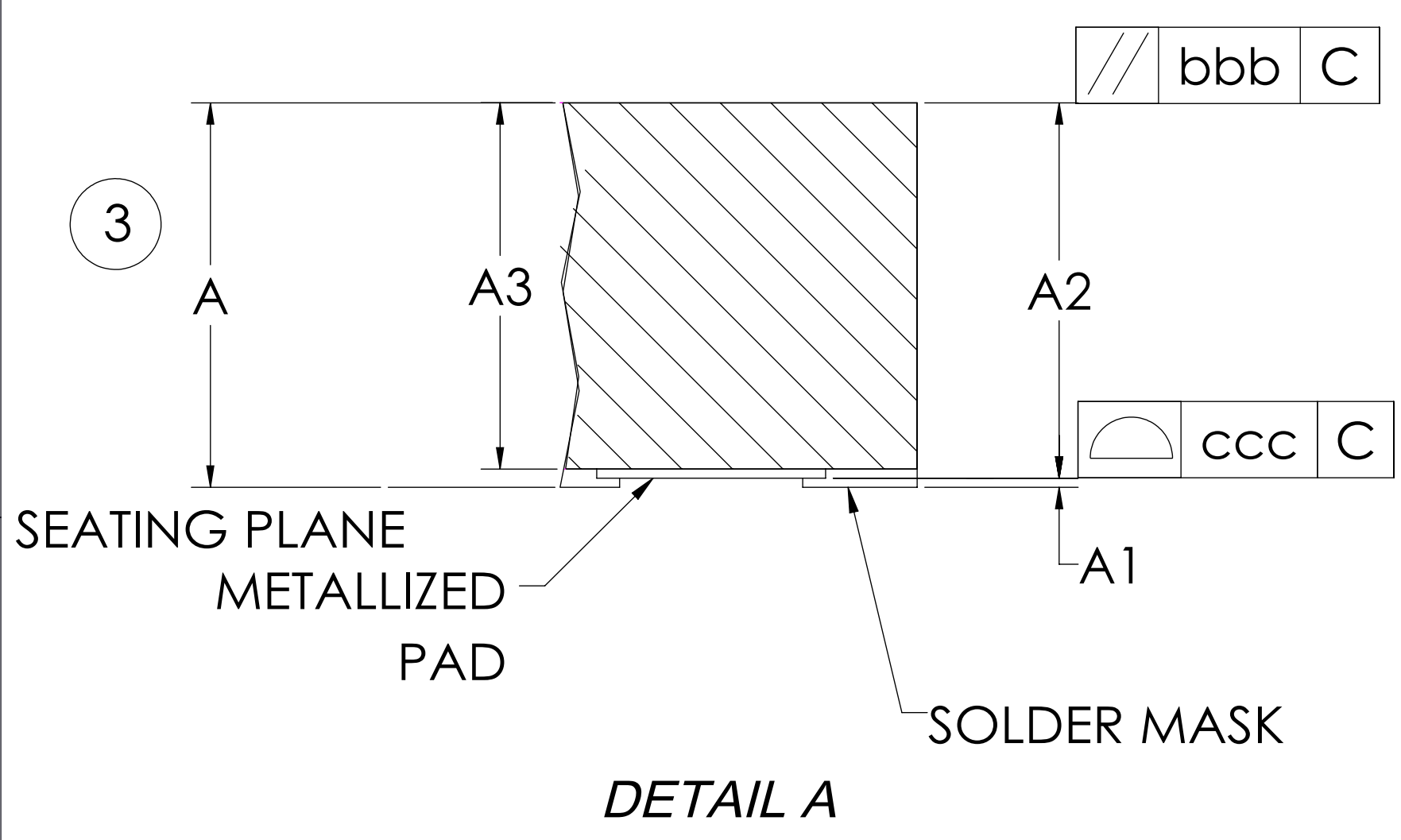
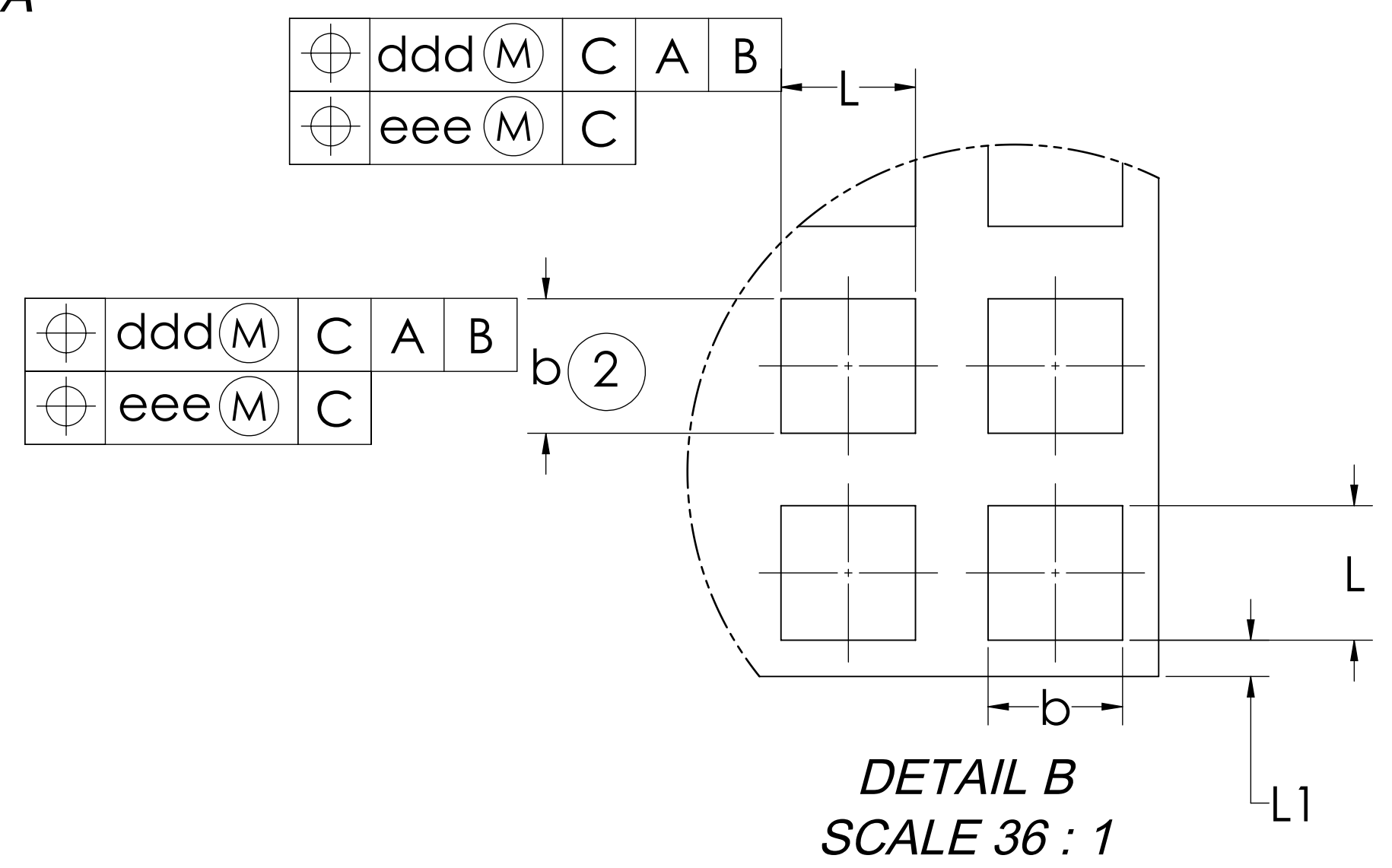
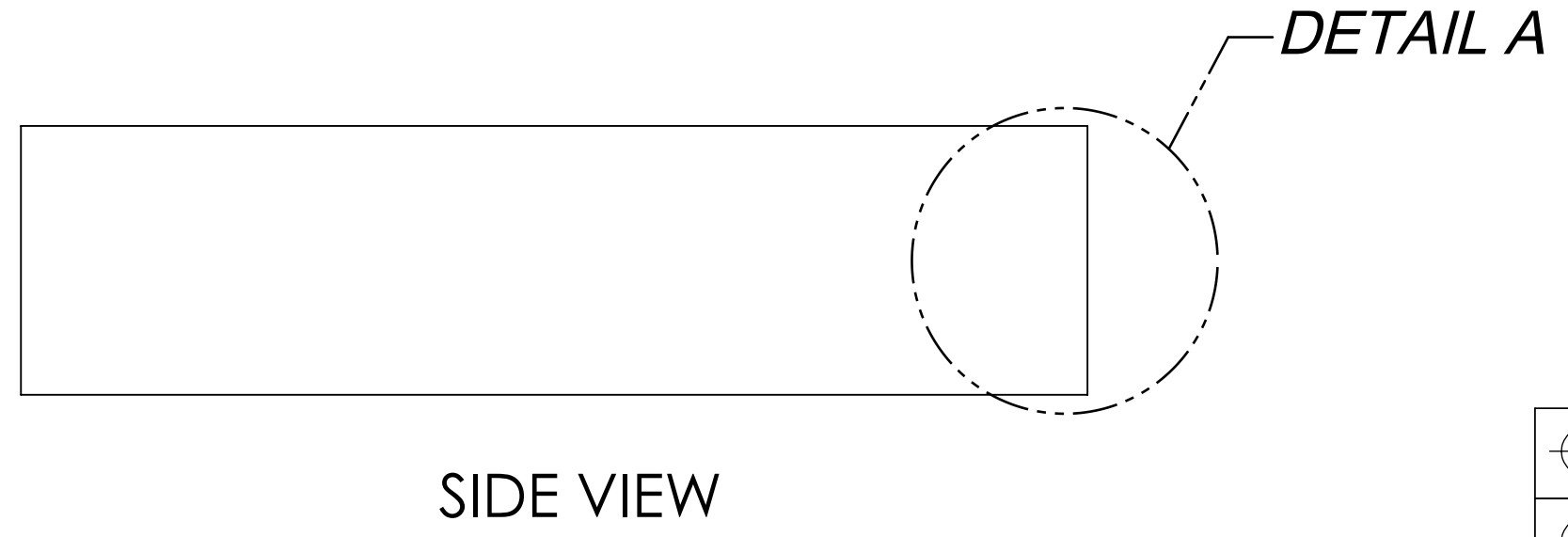
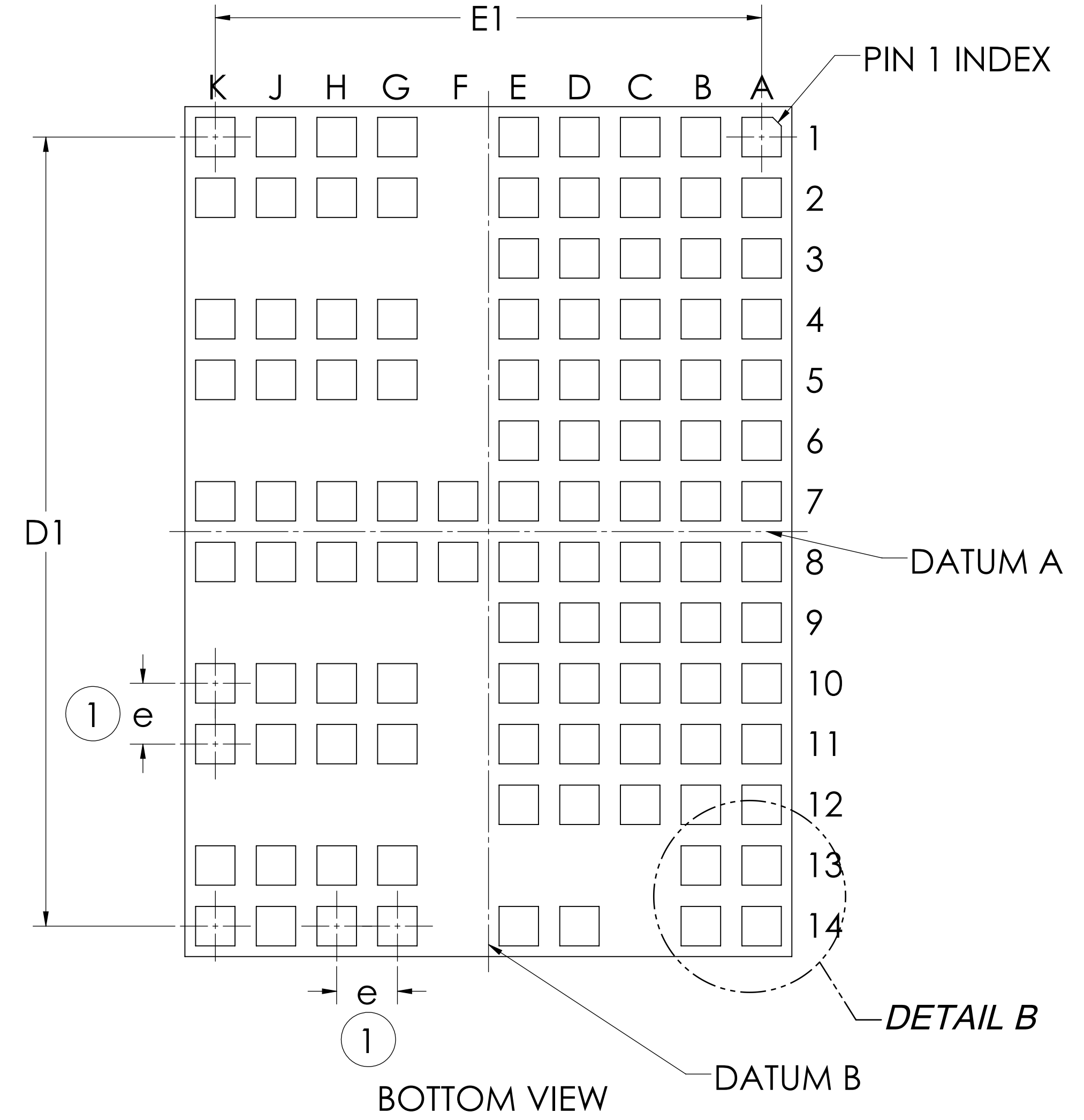
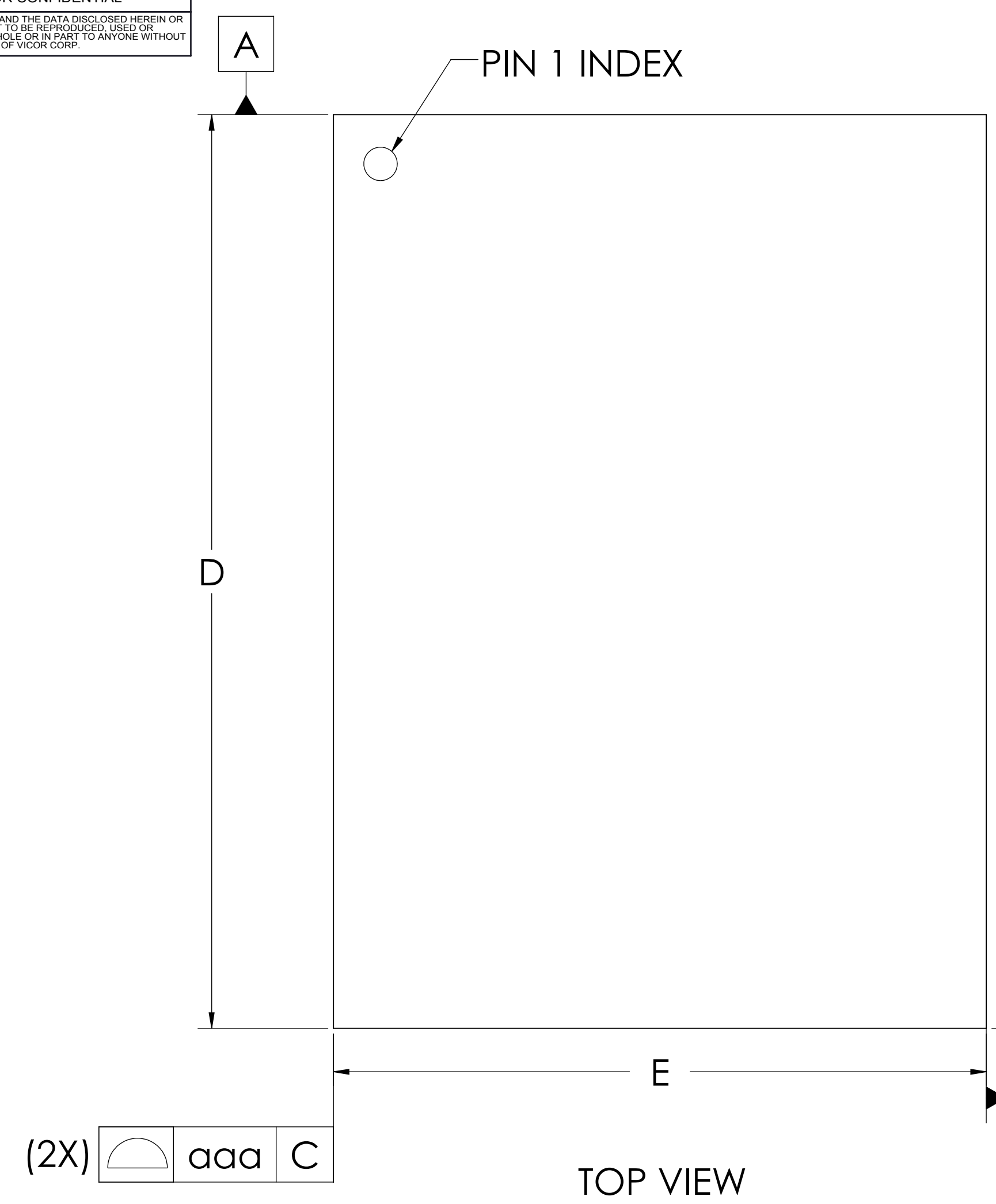


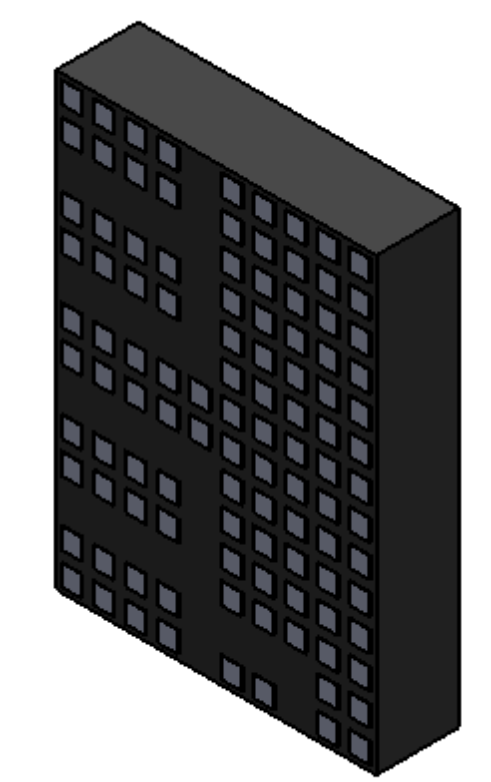
VICOR CONFIDENTIAL
THIS DOCUMENT AND THE DATA DISCLOSED HEREIN OR HEREWITH IS NOT TO BE REPRODUCED, USED OR DISCLOSED IN ANY MANNER OR IN PART TO ANYONE WITHOUT THE PERMISSION OF VICOR CORP.

REV.	DESCRIPTION	INTL	DATE	APVD
#1	DRAWN FOR DEVELOPMENT	MTB	06/27/16	JA
#2	ADDED MISSING VS1 PAD	AP	08/30/16	TW
#3	REVISED D1 AND A7 PAD	AP	09/19/16	TW
#4	FIXED DEMENSION FORMAT	AP	10/13/16	TW
#5	ADDED NOTE 6	YG	01/27/17	TW
#6	REMOVED CHAMFER ON SHEET 2 AND ADDED INTERIOR BOX OUTLINE	JM	09/01/17	TW
#7	UPDATED VIEWS AND FORMAT	JM	10/26/17	TW
#8	REMOVED PIN 1 INDEX CHAMFER	JM	10/31/17	NC
#9	ADDED ED CHAMFER BACK IN AND REPLACED DETAIL A	JM	11/1/17	NC
#10	ADDED LEADERS TO DETAILS AND FIXED TABLE. CHANGED PIN LABELS ON SHEET 3.	JM	11/1/17	KD
#11	REVISED PER NICK CAMPION'S REQUESTS	JM	11/1/17	NC
#12	INSERTED DATUM FEATURE B	JM	11/07/17	NC
#13	ADDED DIMENSION 'A3'	US	05/31/18	CF



BB 10x14mm SiP			
DIMENSIONAL REFERENCES			
REF	MIN.	NOM.	MAX.
A	2.49	2.56	2.63
A1	--	--	0.04
A2	--	--	2.59
A3	2.41	2.48	2.55
b	0.50	0.55	0.60
L	0.50	0.55	0.60
D	14.00 BSC		
E	10.00 BSC		
D1	13.00 BSC		
E1	9.00 BSC		
e	1.00 BSC		
L1	.175	0.225	.275

BB 10x14mm SiP	
REF.	TOLERANCE OF FORM AND POSITION
aaa	0.10
bbb	0.10
ccc	0.08
ddd	0.10
eee	0.08

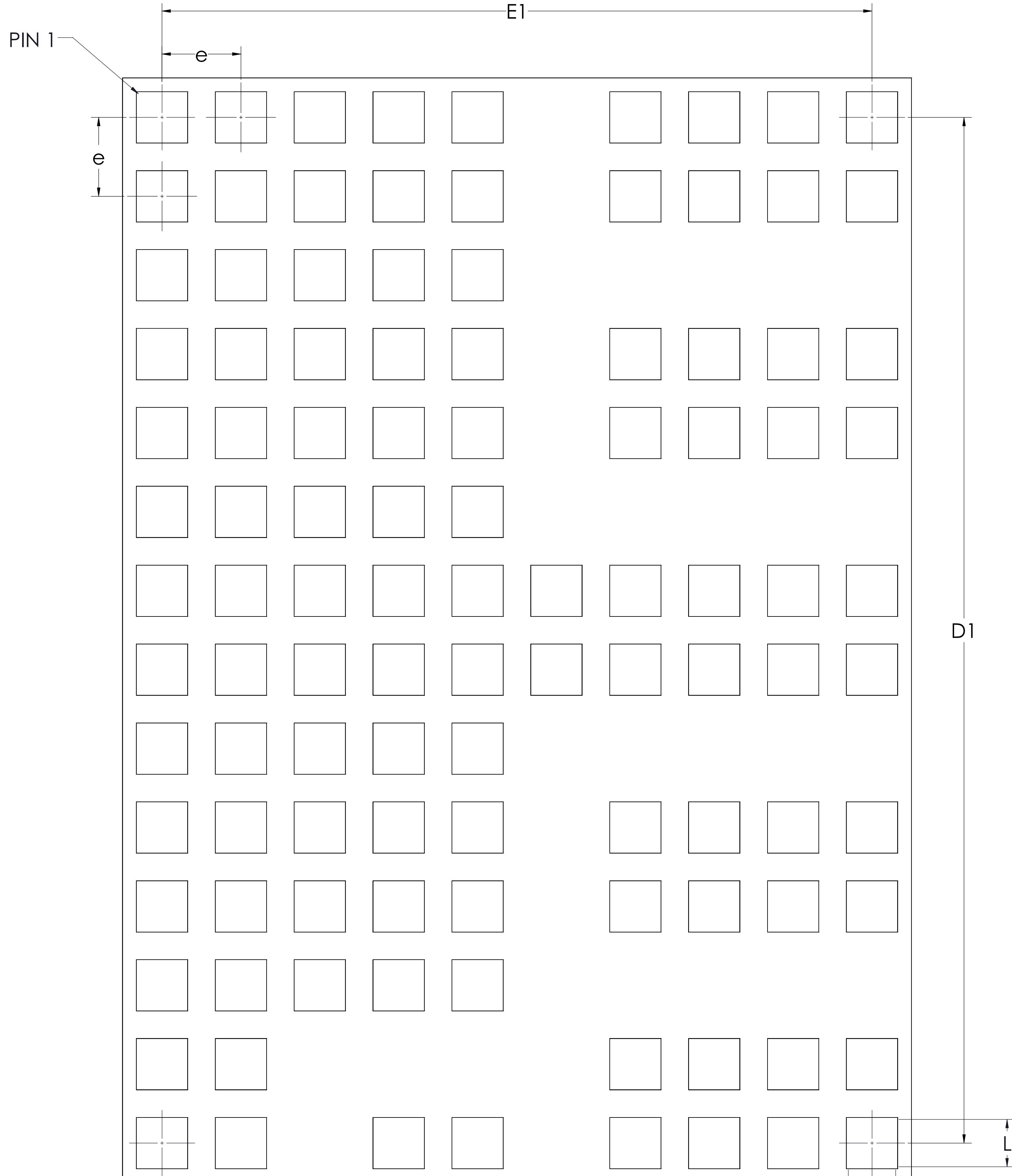


- NOTES:
- 'e' REPRESENTS THE BASIC TERMINAL PITCH. SPECIFIES THE GEOMETRIC POSITION OF THE TERMINAL AXIS.
 - DIMENSION 'b' APPLIES TO METALLIZED TERMINAL AND IS MEASURED BETWEEN 0.00mm AND 0.25mm FROM TERMINAL TIP.
 - DIMENSION 'A' INCLUDES PACKAGE WARPAGE.
 - EXPOSED METALLIZED PADS ARE CU PADS WITH SURFACE FINISH PROTECTION.
 - ALL DIMENSIONS ARE IN MM UNLESS OTHERWISE SPECIFIED.
 - RoHS COMPLIANT PER CST-0001 LATEST REVISION.

DRAWN BY Jackson Flynn	DATE 12/3/2015	VICOR swd	
UNLESS OTHERWISE SPECIFIED DIMENSIONS ARE MM (INCH)		PICOR PI3741, ZVS BUCK-BOOST, 48VIN	
TOLERANCES ARE: DECIMALS: ±0.25 (0.01) ±0.125 (0.005) ANGLES: ±1°		SIZE D	REV #13
THIRD ANGLE PROJECTION DO NOT SCALE DRAWING		CAGE CODE 67131	DWG NO 43210
		SHEET 1 OF 3	

VICOR CONFIDENTIAL
THIS DOCUMENT AND THE DATA DISCLOSED HEREIN OR
HEREIN IS NOT TO BE REPRODUCED, USED OR
DISCLOSED IN ANY MANNER OR IN PART TO ANYONE WITHOUT
THE PERMISSION OF VICOR CORP.

REVISIONS			
REV	DESCRIPTION	DATE	APPROVED
	SEE SHEET 1		

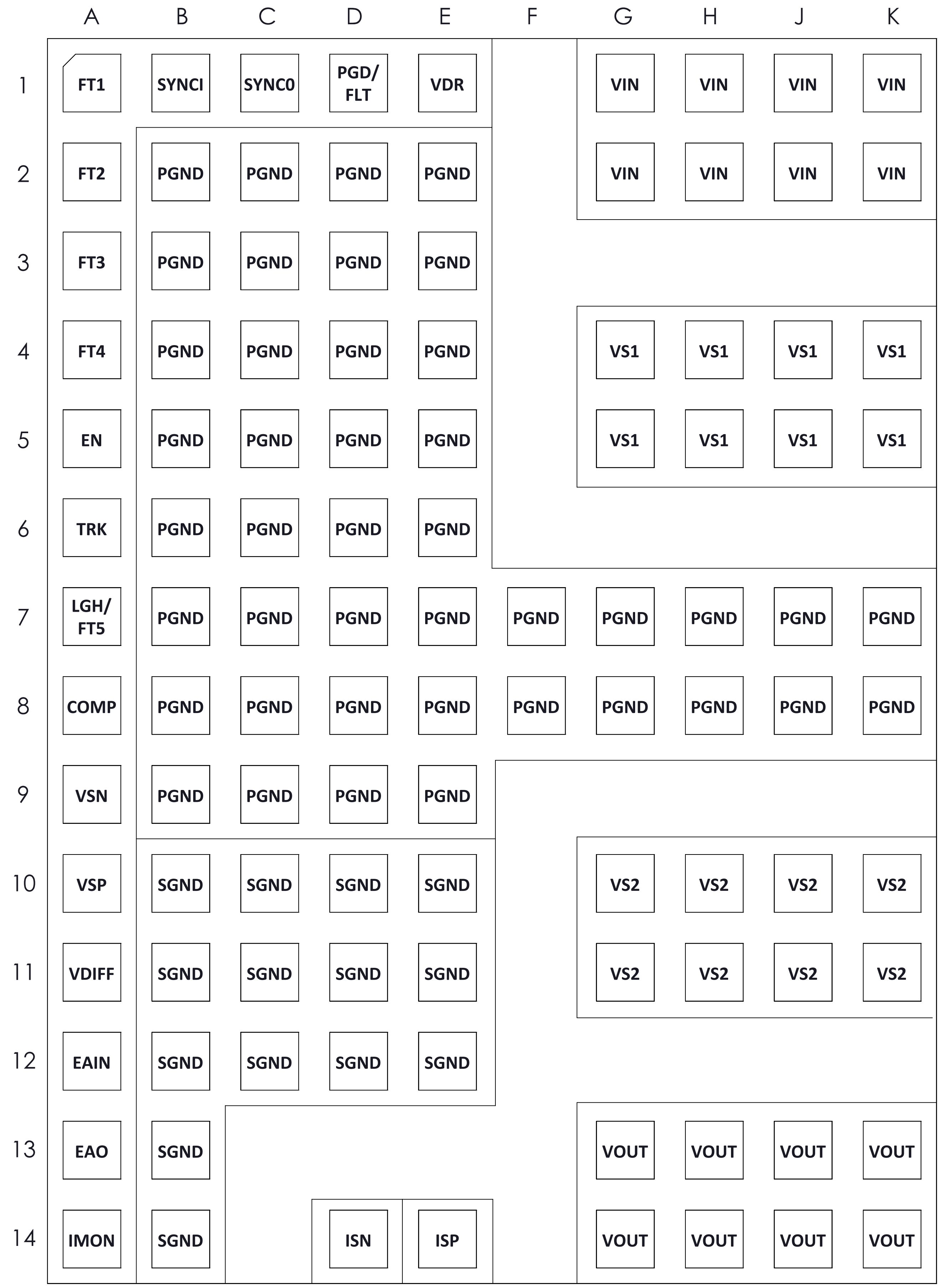


DIMENSIONAL REFERENCES			
REF.	MIN.	NOM.	MAX.
b	0.50	0.55	0.60
D1	13.00 BSC		
E1	9.00 BSC		
e	1.00 BSC		
L	0.50	0.55	0.60

PCB LAND PATTERN
BB 10x14mm SiP

DRAWN BY Jackson Flynn	DATE 12/3/2015	VICOR <small>swd</small>	
UNLESS OTHERWISE SPECIFIED DIMENSIONS ARE MM (INCH)		PICOR PI3741, ZVS BUCK-BOOST, 48VIN	
TOLERANCES ARE: DECIMALS: ±0.25 (0.01) ±0.1 ANGLES: ±0.125 (0.005)		SIZE D	CAGE CODE 67131
THIRD ANGLE PROJECTION 		DWG NO 43210	REV #13
DO NOT SCALE DRAWING		SCALE 12:1	SHEET 2 OF 3

REVISIONS			
REV	DESCRIPTION	DATE	APPROVED
	SEE SHEET 1		



LARGE PIN BLOCKS

PIN BLOCK NAME	GROUP OF PINS
VIN	1G-K, 2G-K
VS1	4G-K, 5G-K
PGND	2B-E, 3B-E, 4B-E, 5B-E, 6B-E, 7B-K, 8B-K, 9B-E
VS2	10G-K, 11G-K
VOUT	13G-K, 14G-K
SGND	10B-E, 11B-E, 12B-E, 13B, 14B

BB 10x14mm SiP
 TOP VIEW THROUGH THE PRODUCT

DRAWN BY Jackson Flynn	DATE 12/3/2015	VICOR <small>swd</small>	
UNLESS OTHERWISE SPECIFIED DIMENSIONS ARE MM (INCH)		PICOR PI3741, ZVS BUCK-BOOST, 48VIN	
TOLERANCES ARE: DECIMALS ANGLES XX.X (XX) = +0.25 (0.01) ±1° X.XXX (X.XXX) = ±0.127 (0.005)		SIZE D	CAGE CODE 67131
THIRD ANGLE PROJECTION 		DWG NO 43210	REV #13
DO NOT SCALE DRAWING		SCALE 12:1	SHEET 3 OF 3