

8

7

6

5

4

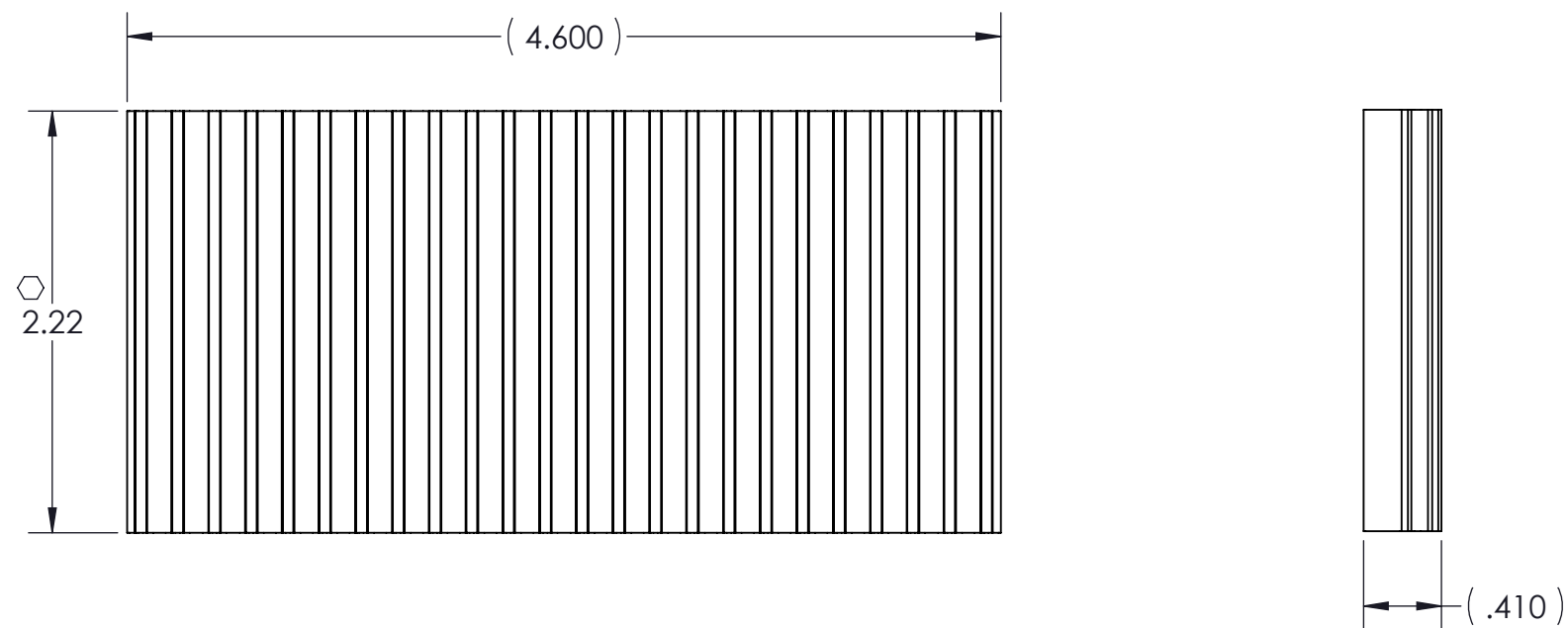
3

2

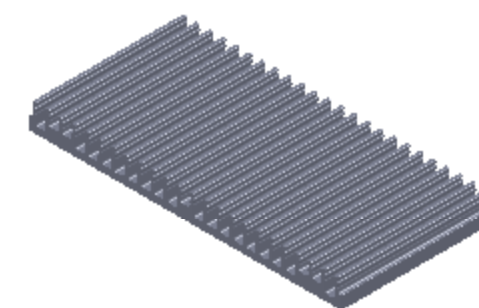
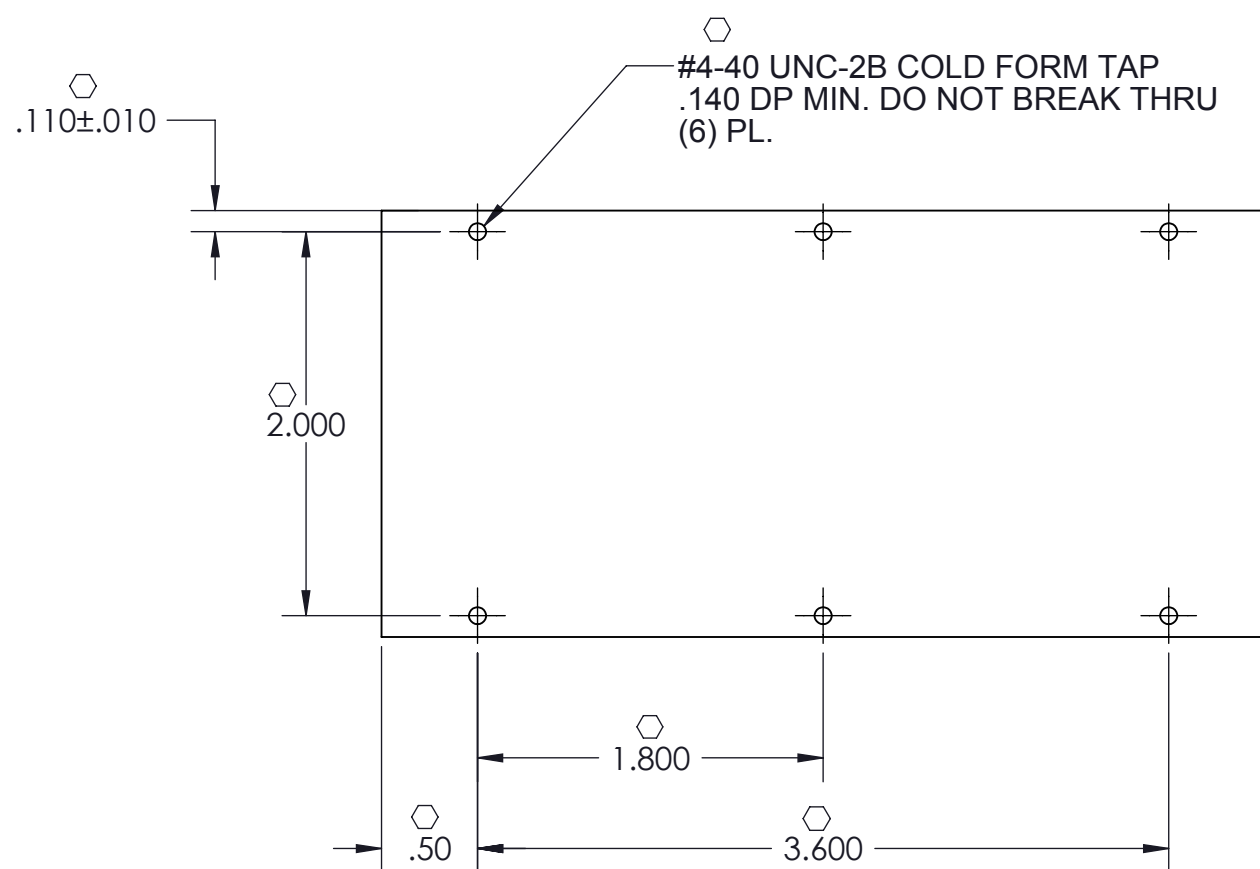
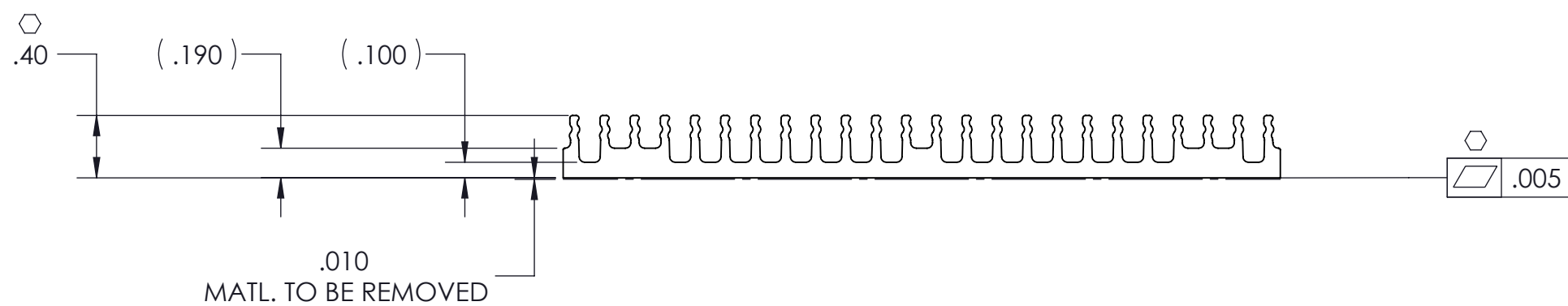
1

VICOR CONFIDENTIAL
 THIS DOCUMENT AND THE DATA DISCLOSED HEREIN OR
 HEREWITH IS NOT TO BE REPRODUCED, USED OR
 DISCLOSED IN WHOLE OR IN PART TO ANYONE WITHOUT
 THE PERMISSION OF VICOR CORP.

REVISIONS				
REV	DESCRIPTION	DATE	APPROVED	
1	RELEASED PER E054227	LEK	11/17/05	EF
2	REVISED PER E090943	AR	06/05/09	REJH
3	REDRAWN PER E100871	DCS	6/7/10	KUK



- NOTES:
1. MATERIAL: EXTRUSION SEE SHEET 2 OF 2.
 2. REMOVE ALL BURRS AND SHARP EDGES.
 3. CLEAR FINISH, RoHS COMPLIANT, CHROMIUM FREE PER CST-0001 LATEST REVISION.
 4. "⊕" DENOTES CRITICAL CHARACTERISTIC FOR LOT INSPECTION.
 5. DIMENSIONS ARE INCHES ONLY



DRAWN	DATE				
KNIGHT	11/14/05				
MATERIAL	UNLESS OTHERWISE SPECIFIED DIMENSIONS ARE INCH [MM] TOLERANCES ARE: DECIMALS ANGLES X.XX [X.X] = ±0.01 [0.25] ±1° X.XXX [X.XX] = ±0.005 [0.127]	HS CFG "A" .4H, X-FLOW LOW FLOW THREADED			
SEE NOTES					
FINISH	THIRD ANGLE PROJECTION	SIZE	CAGE CODE	DWG NO	REV
SEE NOTES		C	67131	30778	3
		SCALE 1 : 1		SHEET 1 OF 1	

8

7

6

5

4

3

2

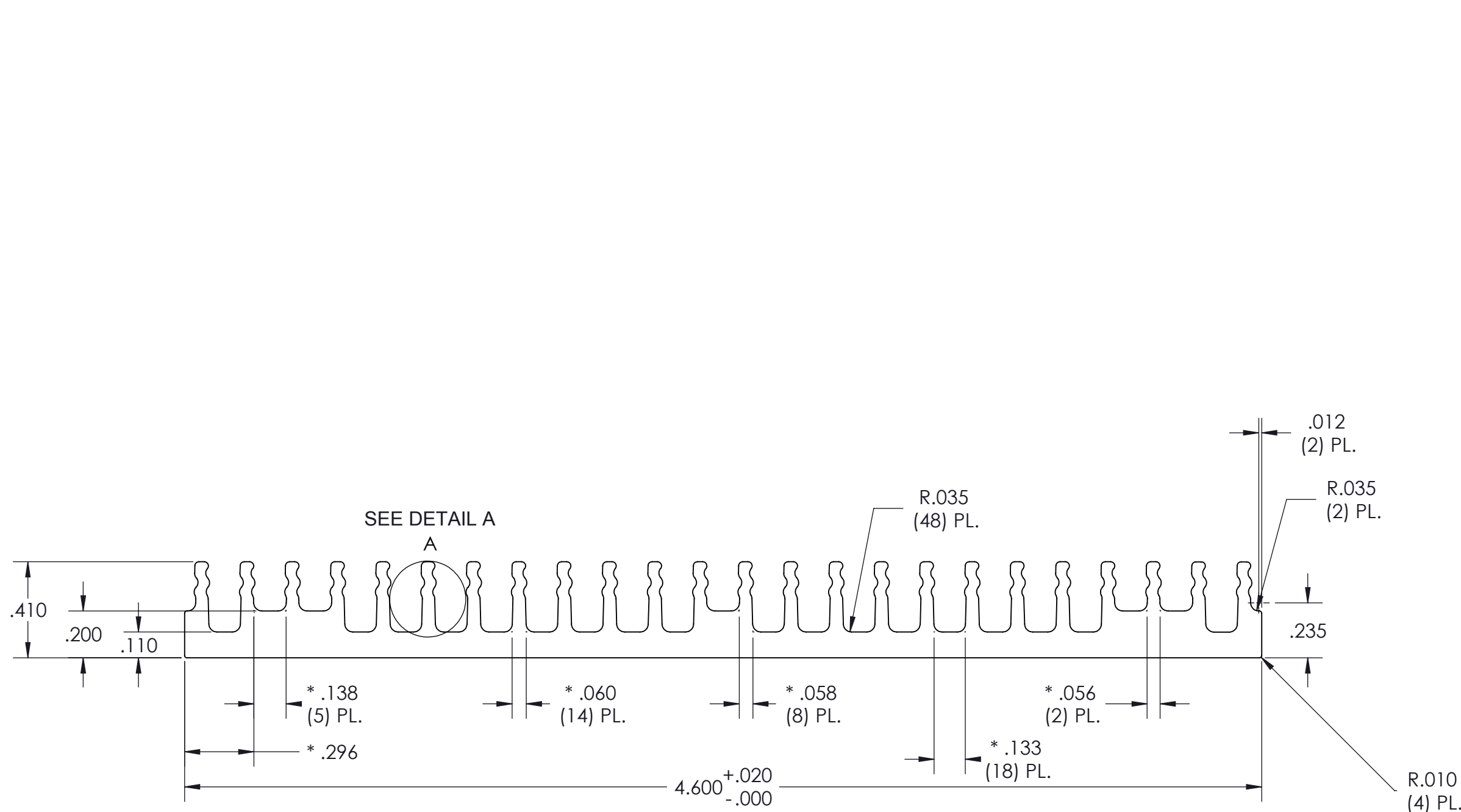
1

VICOR CONFIDENTIAL

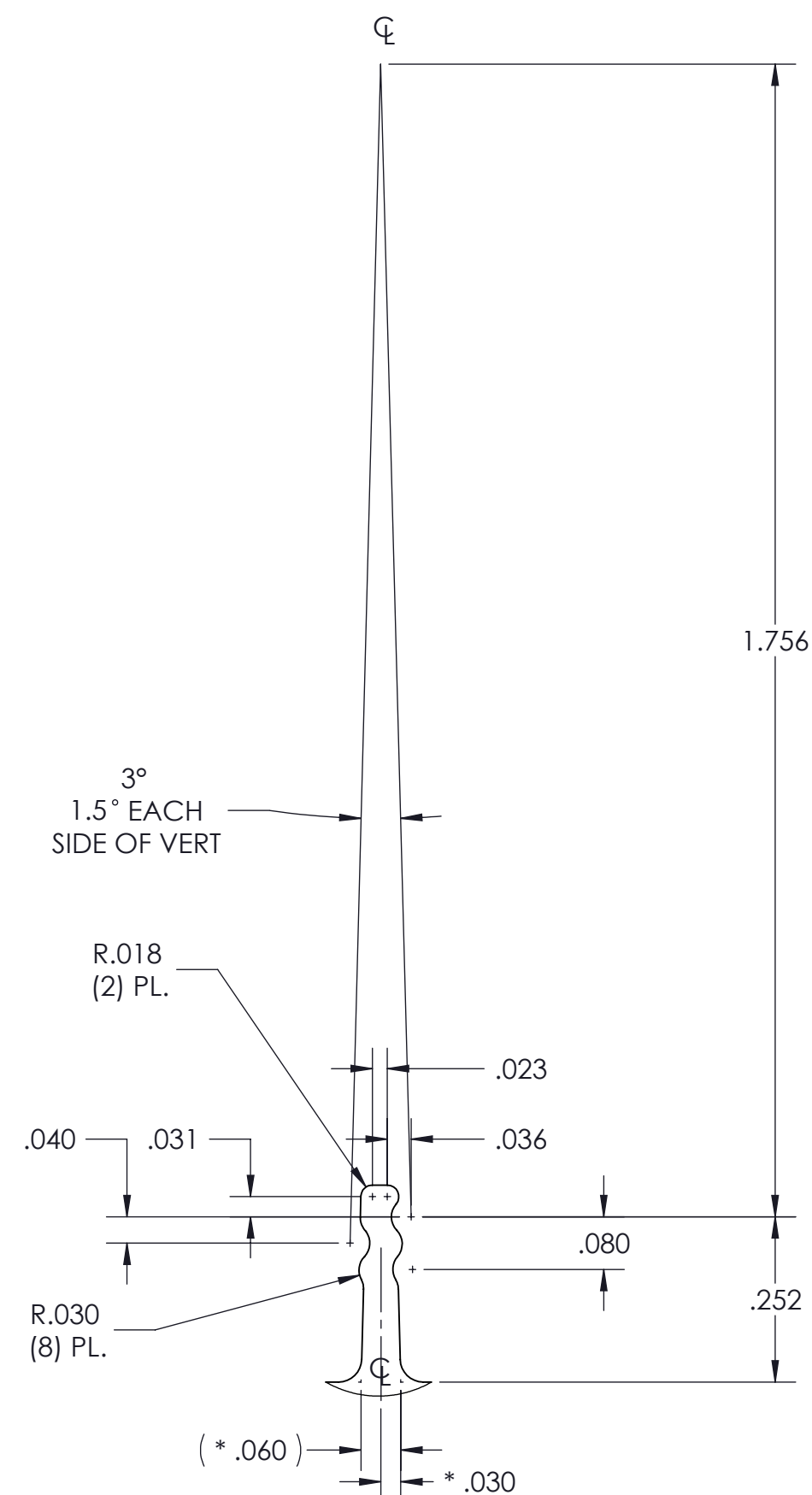
THIS DOCUMENT AND THE DATA DISCLOSED HEREIN OR HEREWITH IS NOT TO BE REPRODUCED, USED OR DISCLOSED IN WHOLE OR IN PART TO ANYONE WITHOUT THE PERMISSION OF VICOR CORP.

REVISIONS

REV	DESCRIPTION	DATE	APPROVED
	SEE SHEET 1 OF 2		



PROFILE COMMON FOR
30778
30720



DETAIL A SCALE 4 : 1

NOTES:

- MAT'L: ALUMINUM 6063-T5
- *DENOTES DIMENSION TO THEORETICAL SHARP CORNER
- DIMENSIONS ARE INCHES ONLY

DRAWN A. RAGIPANI	DATE 06/05/09	VICOR SWD			
MATERIAL SEE NOTES		HS CFG "A" .4H X-FLOW, LOW FLOW THREADED, EXTRUSION			
FINISH SEE NOTES					
THIRD ANGLE PROJECTION 		SIZE C	CAGE CODE 67131	DWG NO 30778	REV 3
DO NOT SCALE DRAWING		SCALE 2 : 1		SHEET 2 OF 2	