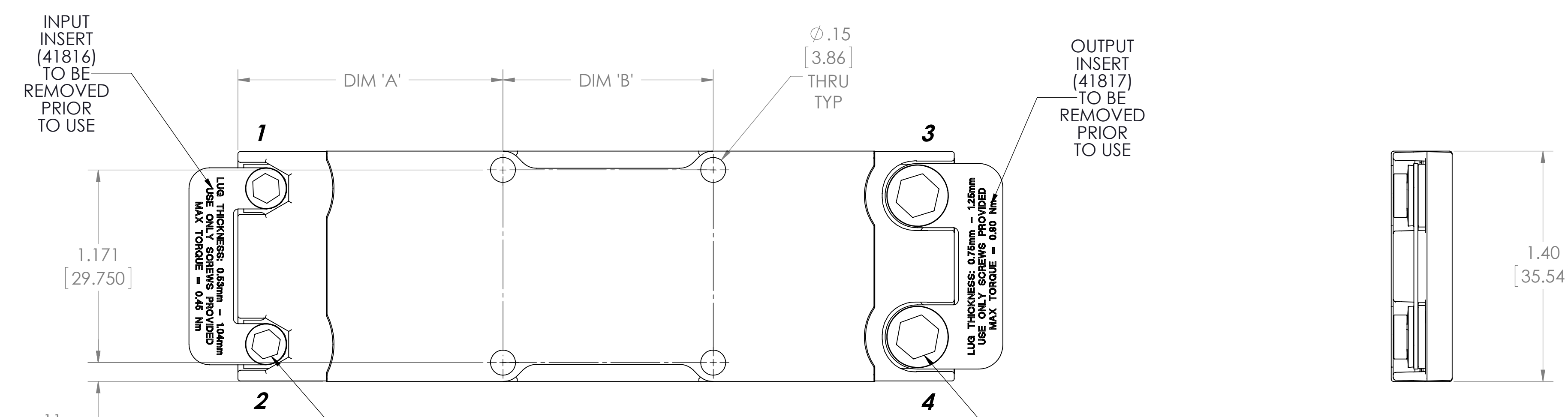
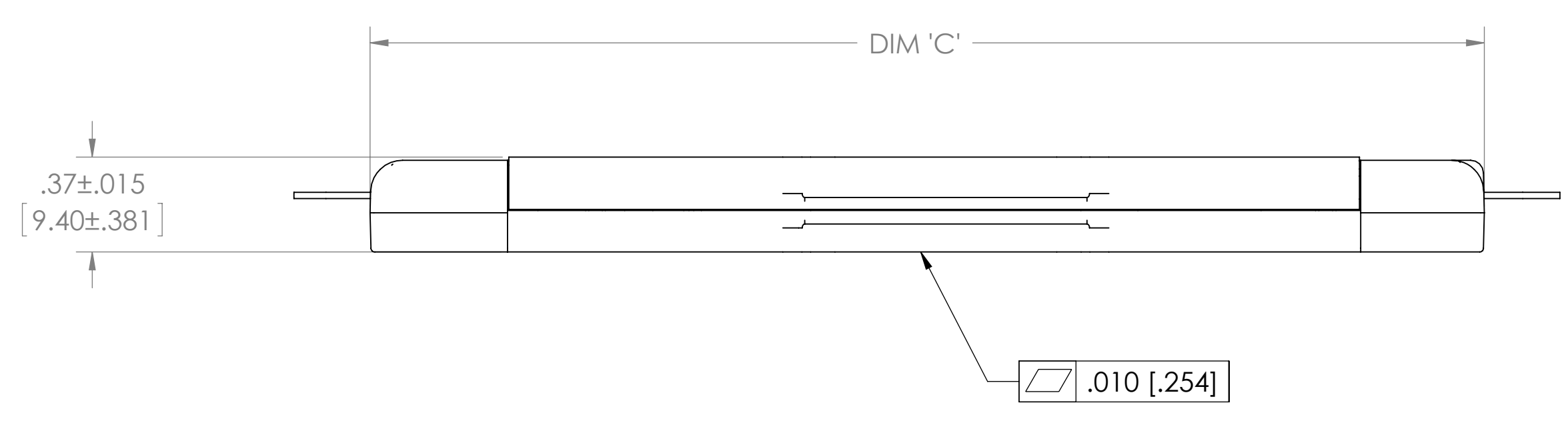


REV.	DESCRIPTION	INTL	DATE	APVD
1	RELEASE PER E170081b	REJH	04/10/17	YZ
2	REVISED PER E171071a	JM	12/11/17	REJH

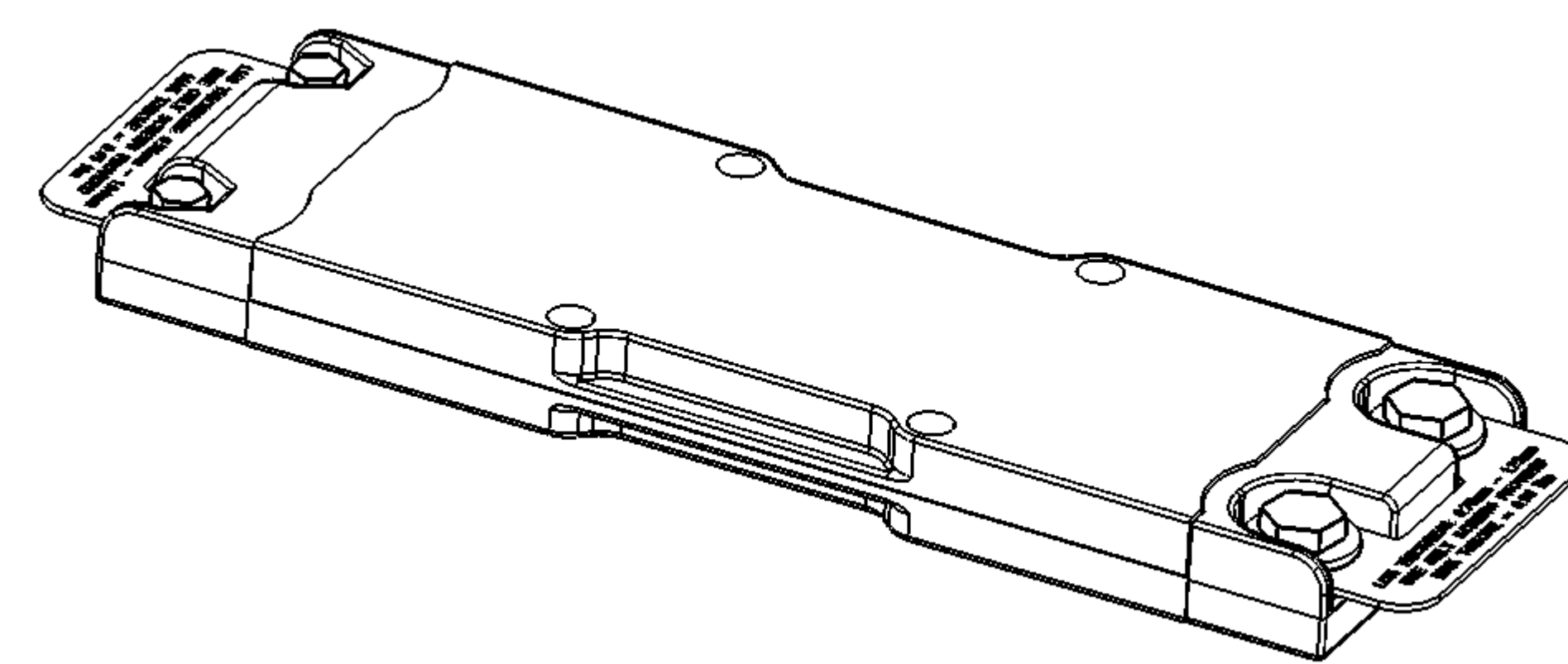


USE TYCO LUG #324159 OR EQUIV. FOR INPUT CONNECTION ALL PRODUCTS

USE TYCO LUG #696049-1 OR EQUIVALENT FOR PRODUCTS WITH - OUT RETURN TO CASE, USE TYCO LUG #2-36161-6 OR EQUIVALENT FOR ALL OTHER PRODUCTS.



PRODUCT	DIM 'A'	DIM 'B'	DIM 'C'
3414 DCM	1.61 [40.93]	.788 [20.005]	3.38 [85.93]
3714 DCM	1.61 [40.93]	1.150 [29.200]	3.75 [95.13]
3814 NBM - OUT RETURN TO CASE	1.02 [25.96]	1.277 [32.430]	3.76 [95.59]
3814 BCM - OUT RETURN TO CASE	1.02 [25.96]	1.277 [32.430]	3.76 [95.59]
4414 BCM	1.61 [40.93]	1.757 [44.625]	4.35 [110.55]
4414 BCM - OUT RETURN TO CASE	1.61 [40.93]	1.277 [32.430]	4.35 [110.55]
4414 UHV BCM	1.65 [41.93]	1.718 [43.625]	4.35 [110.55]
4414 PFM	1.61 [40.93]	1.757 [44.625]	4.35 [110.55]
4414 PFM 3KV	1.61 [40.93]	1.658 [42.110]	4.35 [110.55]
4914 PFM	2.17 [55.12]	1.757 [44.625]	4.91 [124.75]



- NOTES:
- 1- RoHS COMPLIANT PER CST-0001 LATEST REVISION.
 - 2- SEE PRODUCT DATA SHEET FOR PIN DESIGNATIONS

DRAWN BY R.E.J. Hickey	DATE 4/30/2016	VICOR <small>SWD</small>	
UNLESS OTHERWISE SPECIFIED DIMENSIONS ARE : INCH / [MM]		PROD OUTL, VIA, CHASSIS MNT, W/O COMM.	
TOLERANCES ARE: DECIMALS ANGLES X.XX (X.XX) = ±0.01 (0.25) °11 X.XXX (X.XXX) = ±0.005 (0.127) °11		SIZE D	CAGE CODE 67131
THIRD ANGLE PROJECTION 		DWG NO 44137	REV 2
DO NOT SCALE DRAWING		SCALE 2:1	SHEET 1 OF 1