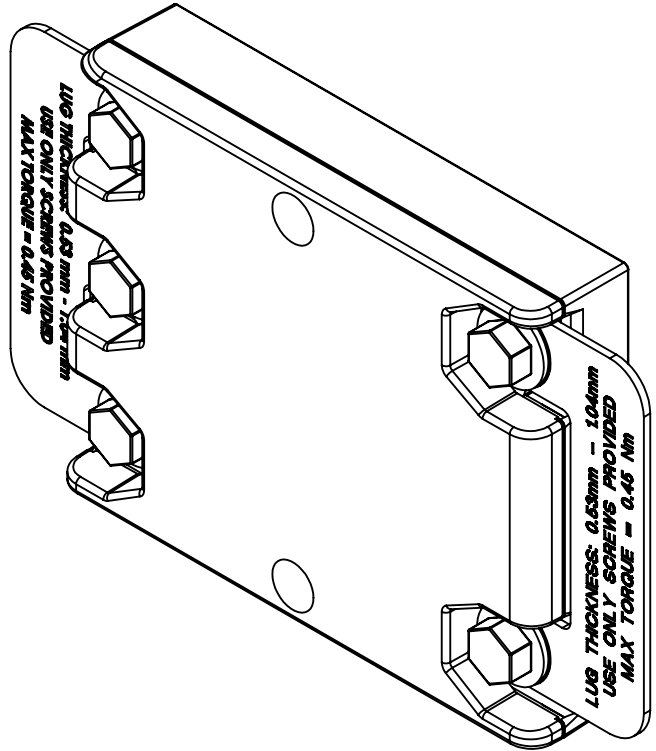
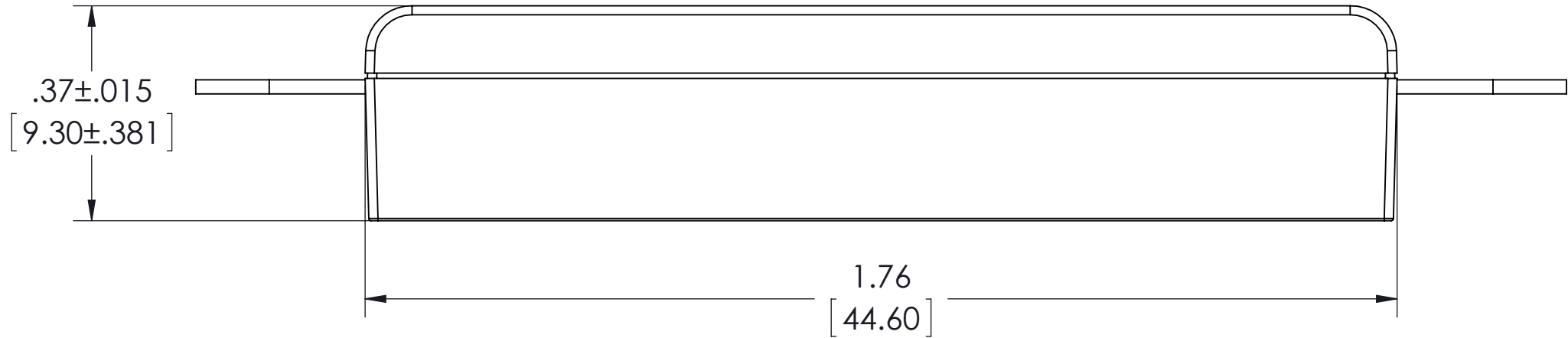
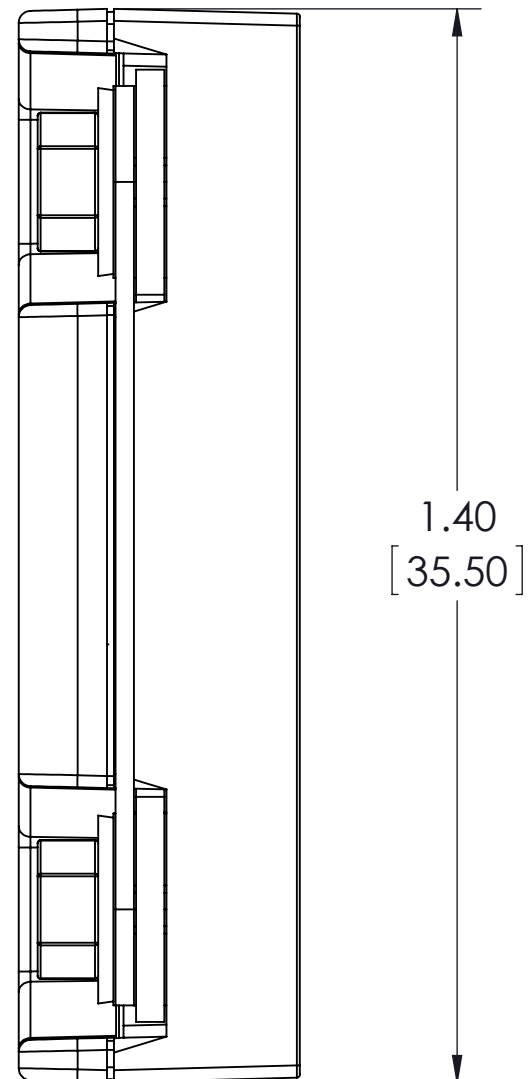
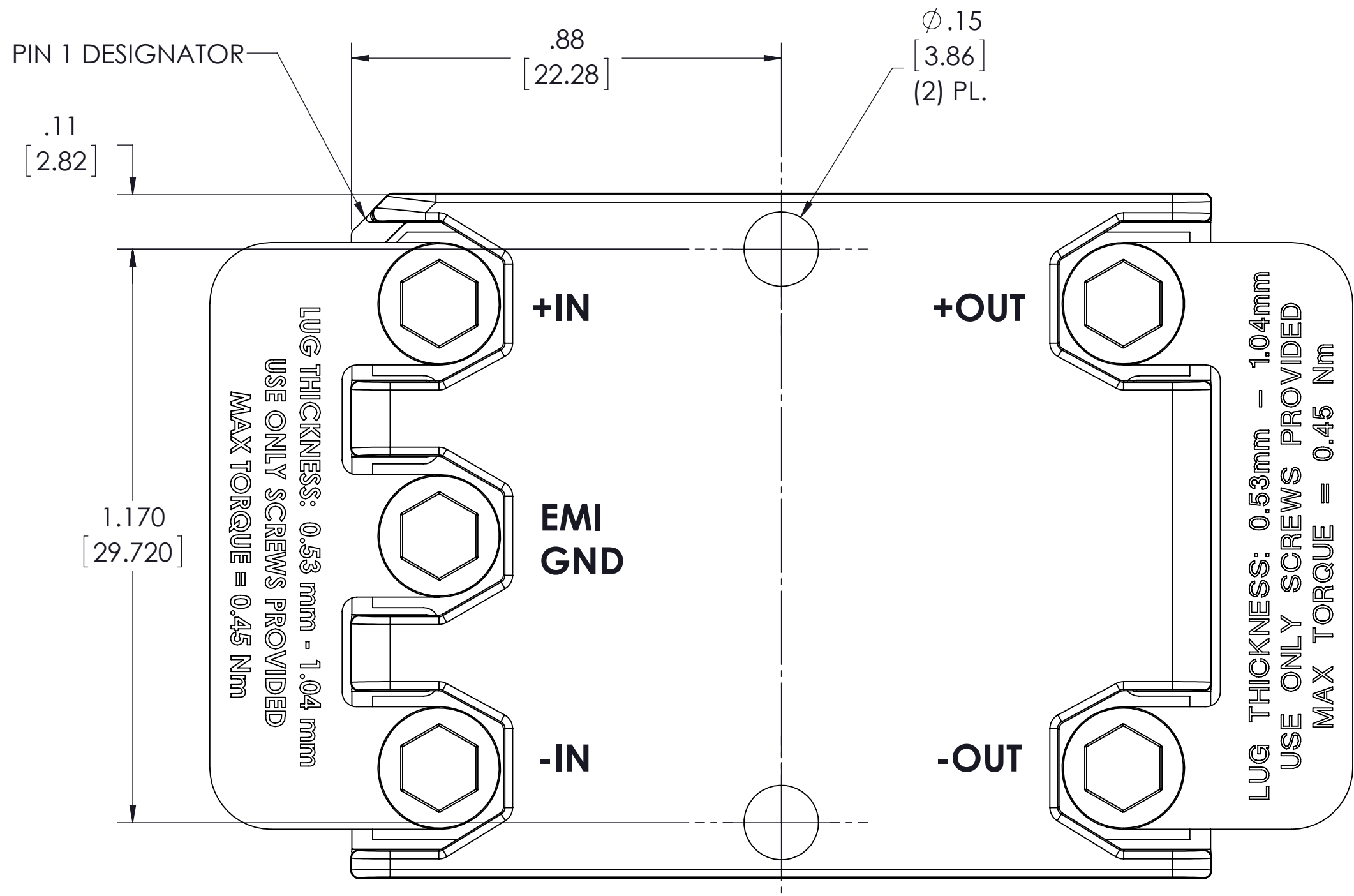


VICOR CONFIDENTIAL
 THIS DOCUMENT AND THE DATA DISCLOSED HEREIN OR
 HEREWITH IS NOT TO BE REPRODUCED, USED OR
 DISCLOSED IN WHOLE OR IN PART TO ANYONE WITHOUT
 THE PERMISSION OF VICOR CORP.

REV.	DESCRIPTION	INTL	DATE	APVD
1	RELEASED PER ECO E3160978	AP	10/3/16	YZ



NOTE:
 1. RoHS COMPLIANT PER CST-0001 LATEST REVISION

DRAWN BY Matthew Biron	DATE 5/18/2016	VICOR SWD			
UNLESS OTHERWISE SPECIFIED DIMENSIONS ARE : INCH / (MM)		PROD OUTL CHASSIS MNT VIA DCM MIL HV FILTER			
TOLERANCES ARE: DECIMALS: X.XX [X.XX] = ±0.01 [0.25] ±1° X.XXX [X.XXX] = ±0.005 [0.127]		SIZE C	CAGE CODE 67131	DWG NO 44318	REV 1
THIRD ANGLE PROJECTION DO NOT SCALE DRAWING		SCALE 4:1	SHEET 1 OF 1		