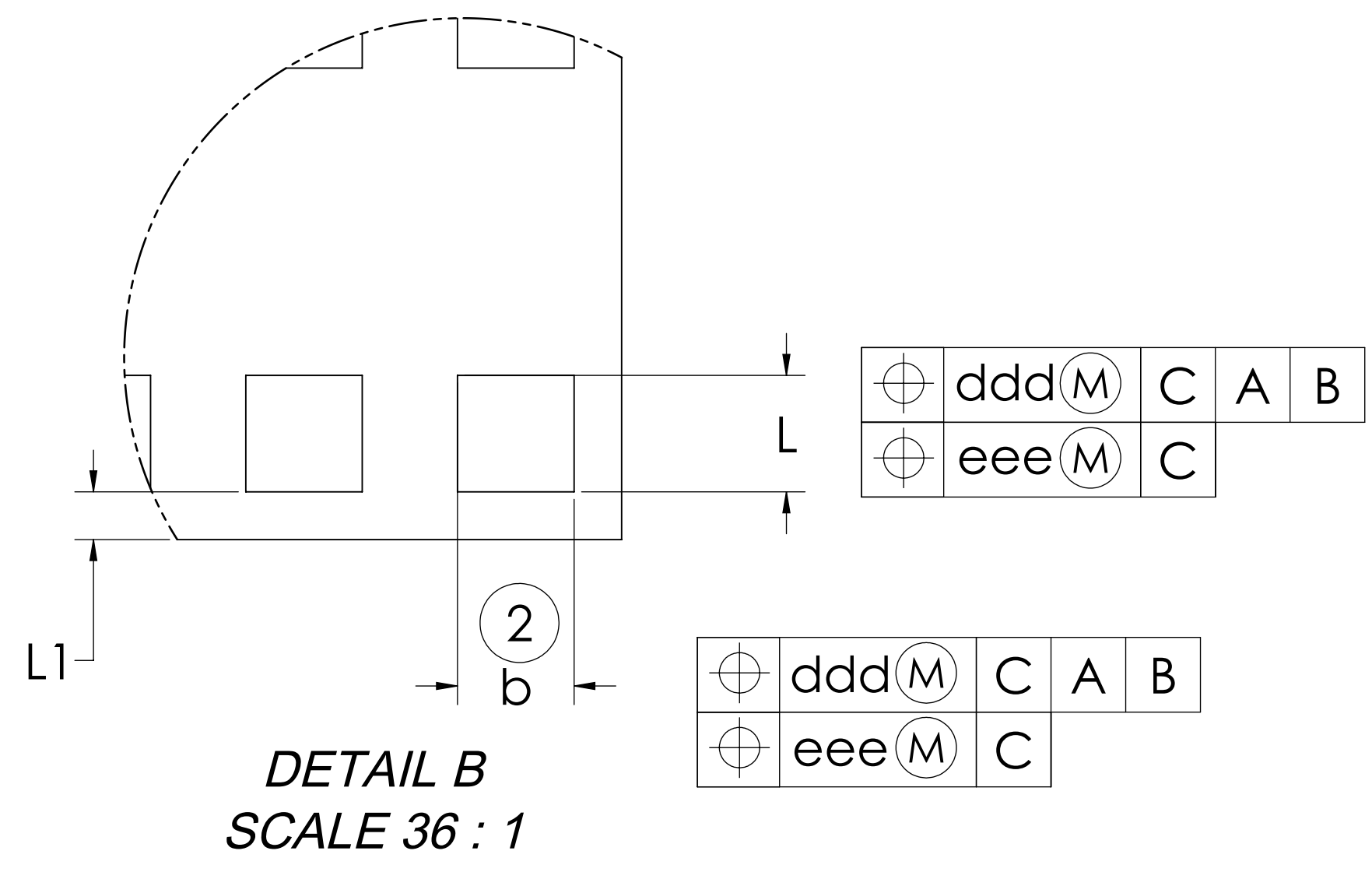
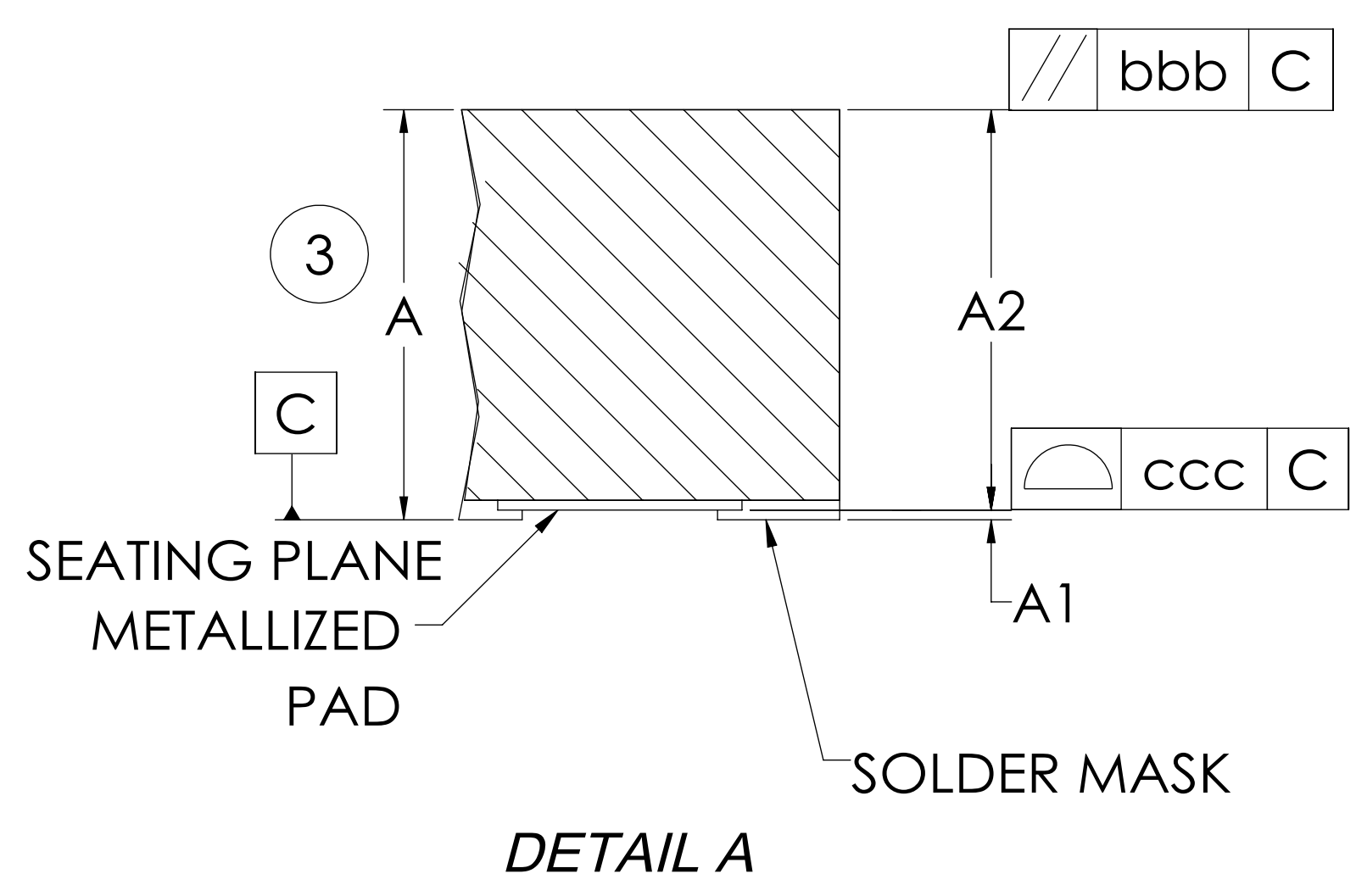
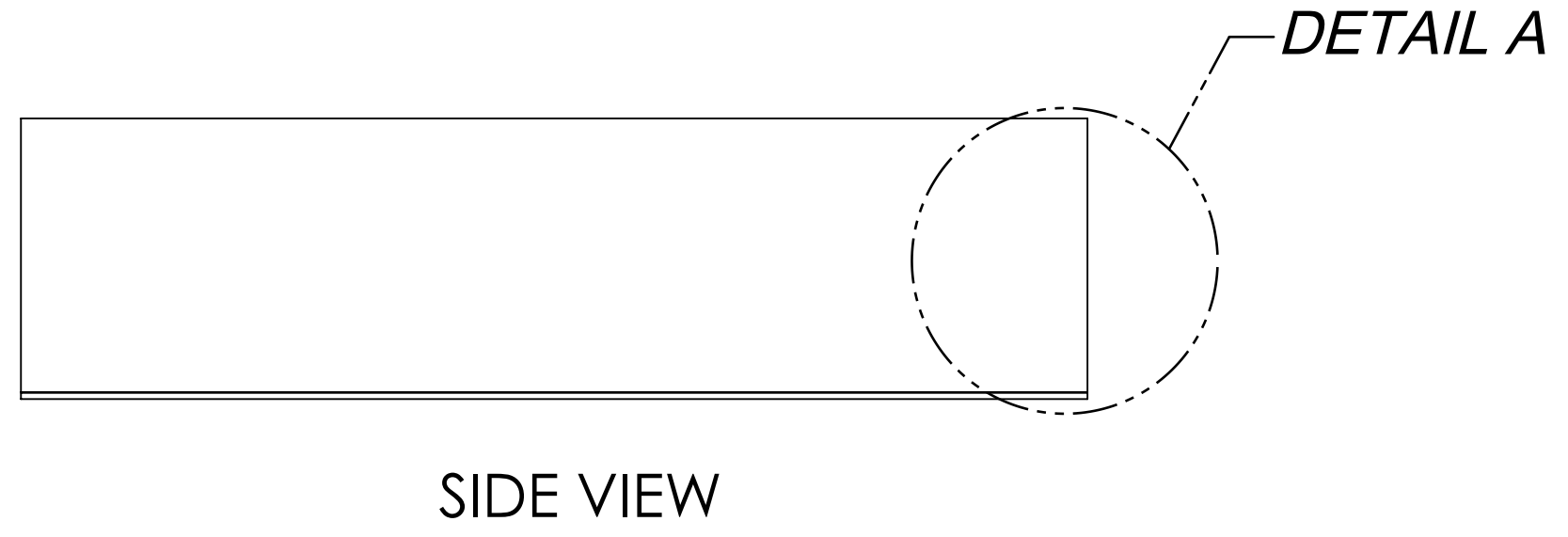
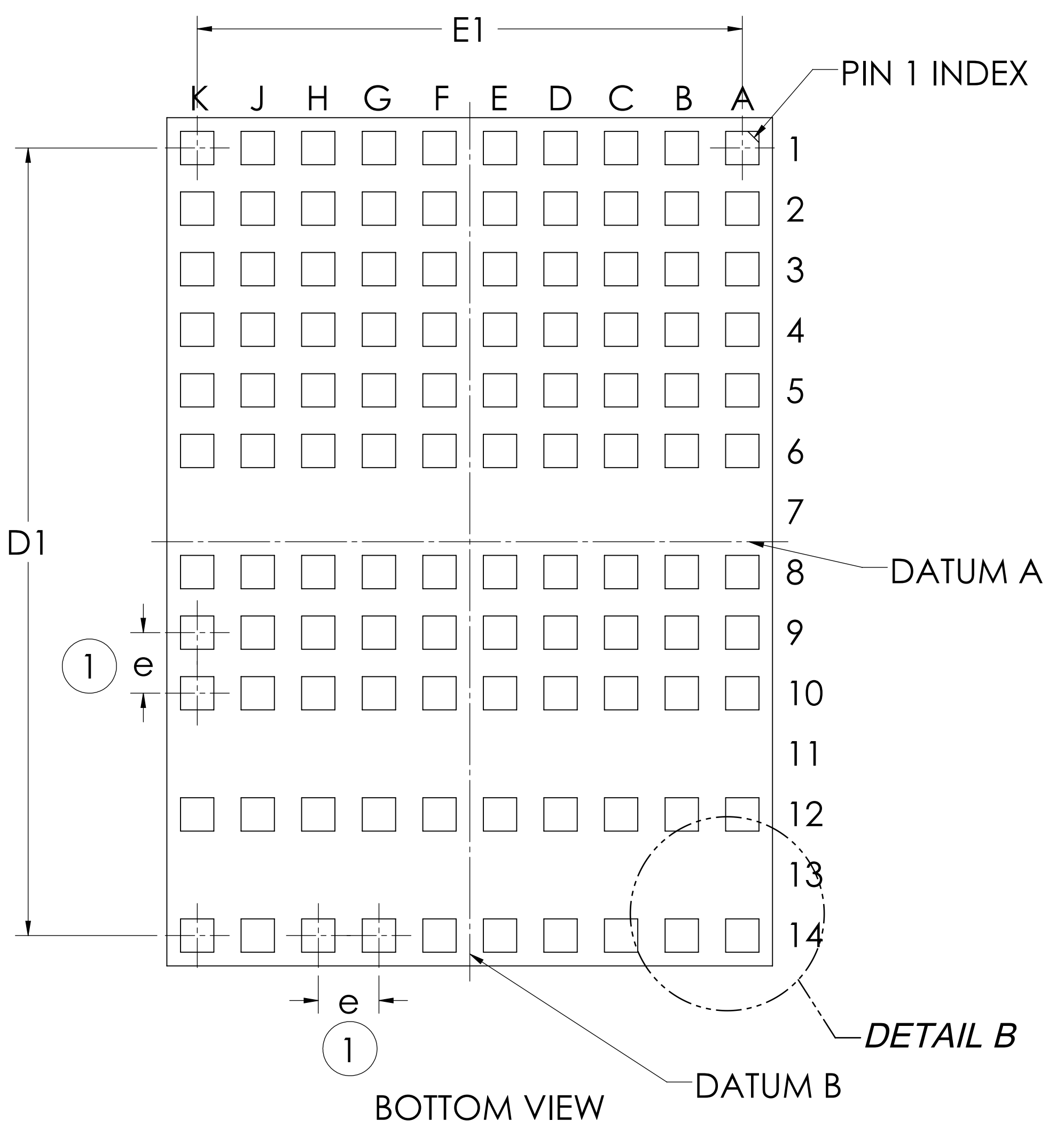
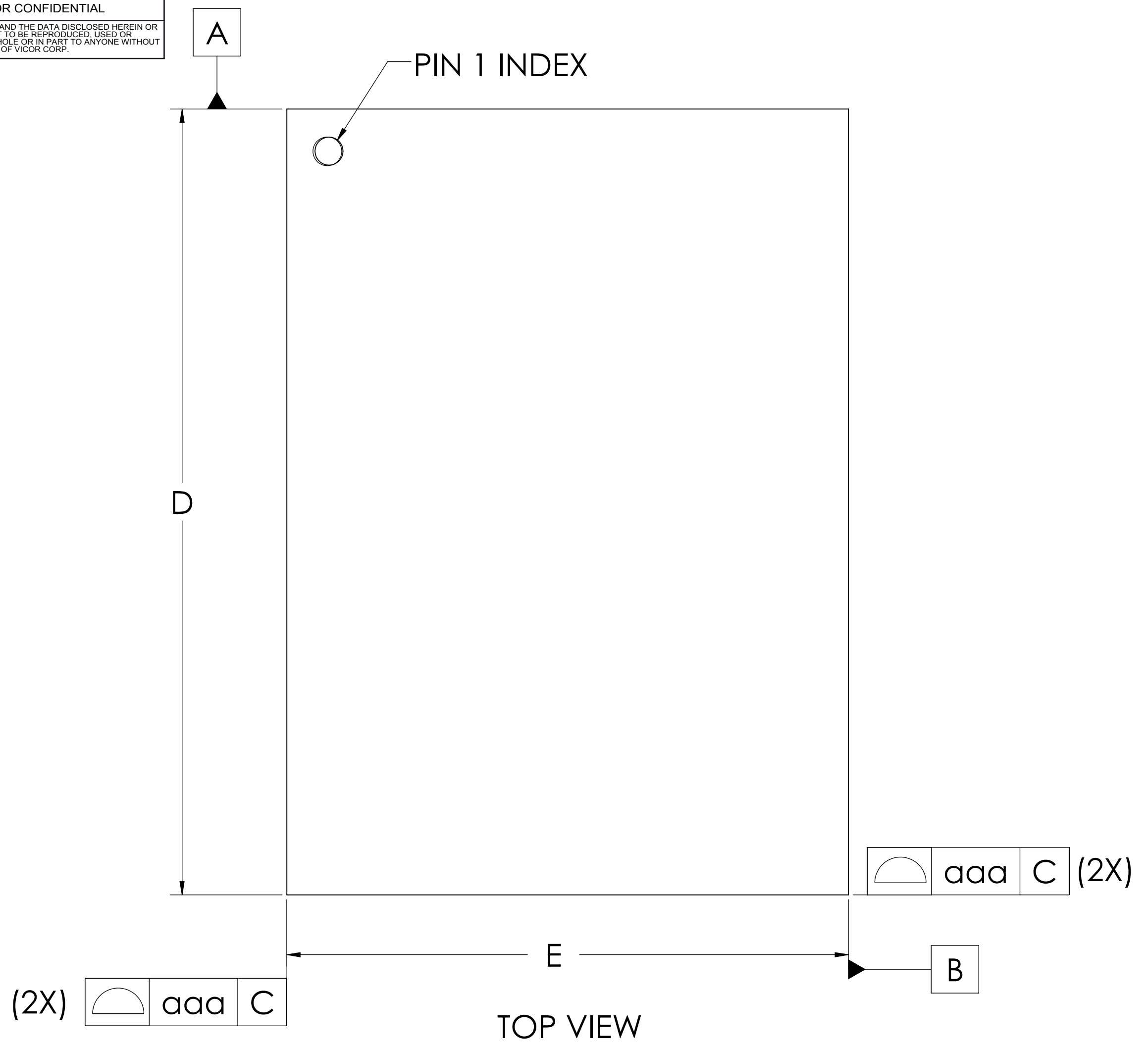


REV.	DESCRIPTION	INTL	DATE	APVD
#1	DRAWN FOR DEVELOPMENT	MTB	08/01/16	JA
#2	UPDATED FOR GARY KEAY	JM	08/23/17	GK
#3	UPDATED TO MATCH ORIGINAL OUTLINE DRAWING	JM	11/27/17	KD
#4	UPDATED TITLE BLOCK	JM	11/30/17	JF
#5	REMOVE PI332x & PI352X ON SHEET 2 & 3	JF	12/14/17	GCK

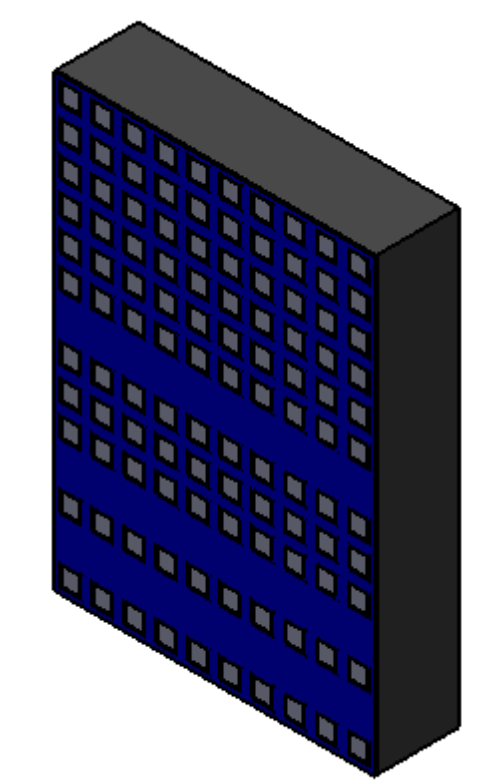


BB 10x14mm SiP
DIMENSIONAL REFERENCES

REF	MIN.	NOM.	MAX.
A	2.49	2.56	2.63
A1	--	--	0.04
A2	--	--	2.59
b	0.50	0.55	0.60
L	0.50	0.55	0.60
D	14.00 BSC		
E	10.00 BSC		
D1	13.00 BSC		
E1	9.00 BSC		
e	1.00 BSC		
L1	.175	0.225	.275

BB 10x14mm SiP
DIMENSIONAL REFERENCES
TOLERANCE OF FORM AND POSITION

REF.	TOLERANCE OF FORM AND POSITION
aaa	0.10
bbb	0.10
ccc	0.08
ddd	0.10
eee	0.08

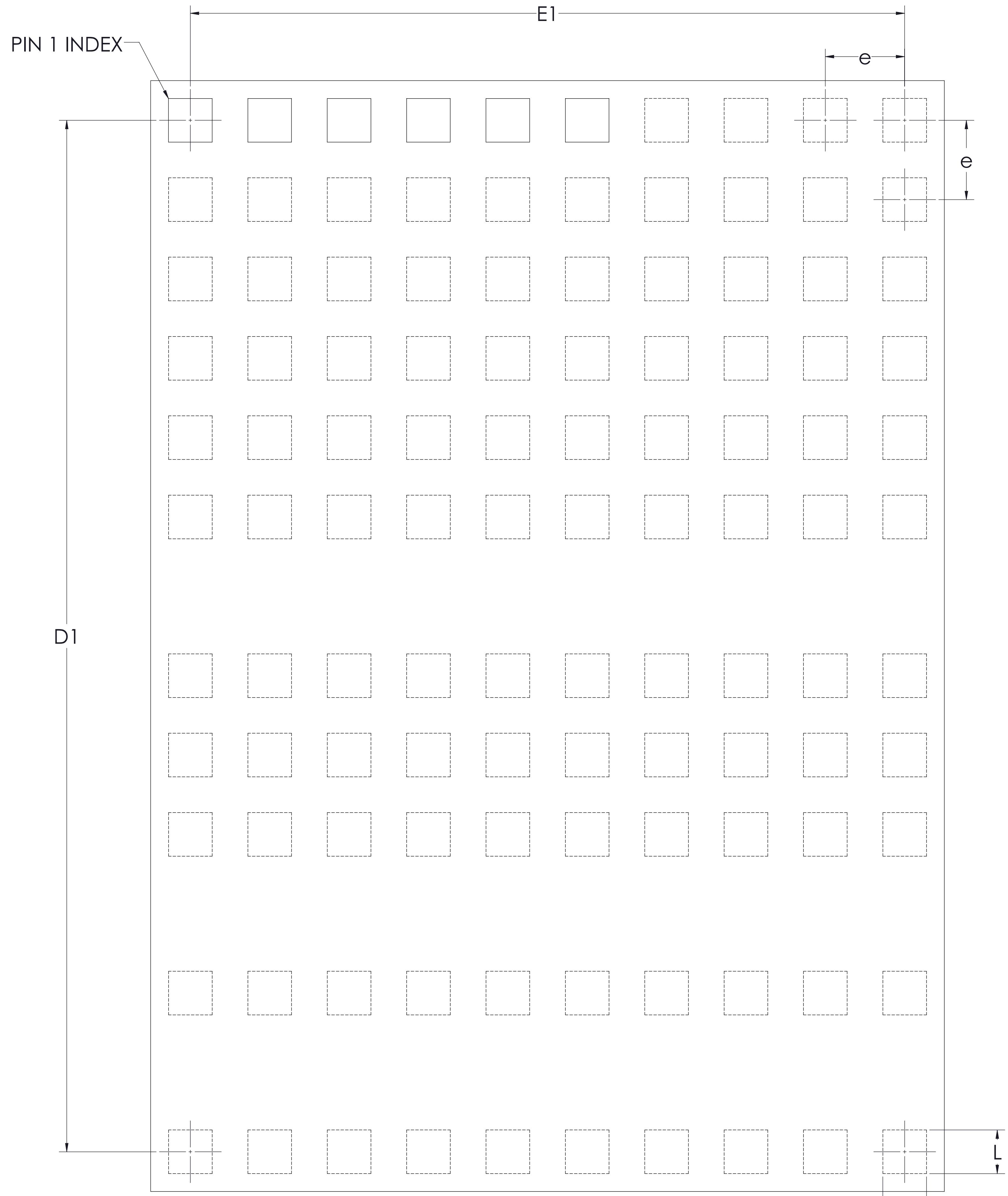


- NOTES:
- 'e' REPRESENTS THE BASIC TERMINAL PITCH. SPECIFIES THE GEOMETRIC POSITION OF THE TERMINAL AXIS.
 - DIMENSION 'b' APPLIES TO METALLIZED TERMINAL AND IS MEASURED BETWEEN 0.00mm AND 0.25mm FROM TERMINAL TIP.
 - DIMENSION 'A' INCLUDES PACKAGE WARPAGE.
 - EXPOSED METALLIZED PADS ARE CU PADS WITH SURFACE FINISH PROTECTION.
 - ALL DIMENSIONS ARE IN MM UNLESS OTHERWISE SPECIFIED.
 - RoHS COMPLIANT PER CST-0001 LATEST REVISION.

DRAWN BY Jackson Flynn	DATE 12/2/2015	VICOR	
UNLESS OTHERWISE SPECIFIED DIMENSIONS ARE MM (INCH)		PI352x & PI332x ZVS BUCK	
TOLERANCES ARE: DECIMALS: X.XX [X.XXX] = ±0.25 [0.01] +1° X.XXX [X.XX5] = ±0.127 [0.005]		SIZE D	CAGE CODE 67131
THIRD ANGLE PROJECTION DO NOT SCALE DRAWING		DWG NO 43208	REV #5
SCALE 15:1		SHEET 1 OF 3	

VICOR CONFIDENTIAL
 THIS DOCUMENT AND THE DATA DISCLOSED HEREIN OR
 HEREWITH IS NOT TO BE REPRODUCED, USED OR
 DISCLOSED IN ANY MANNER OR IN PART TO ANYONE WITHOUT
 THE PERMISSION OF VICOR CORP.

REVISIONS			
REV	DESCRIPTION	DATE	APPROVED
	SEE SHEET 1		



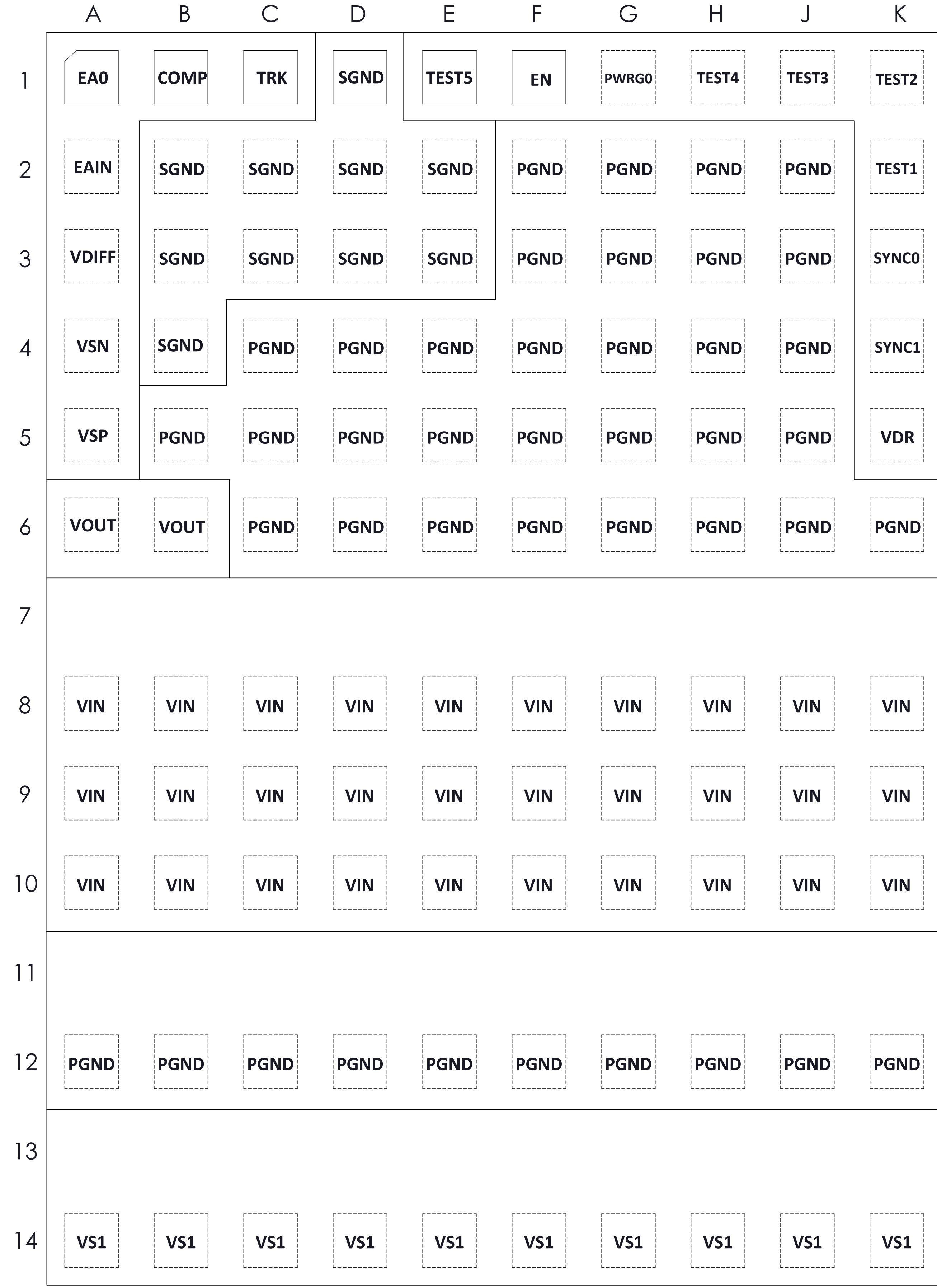
DIMENSIONAL REFERENCES			
REF.	MIN.	NOM.	MAX.
b	0.50	0.55	0.60
D1	13.00 BSC		
E1	9.00 BSC		
e	1.00 BSC		
L	0.50	0.55	0.60

PCB LAND PATTERN

DRAWN BY Jackson Flynn	DATE 12/2/2015	VICOR <small>swd</small>	
UNLESS OTHERWISE SPECIFIED DIMENSIONS ARE MM (INCH)		PI352x & PI332x ZVS BUCK	
TOLERANCES ARE: DECIMALS ANGLES X.XX (X.XX) = +0.25 (0.01) ±1° X.XXX (X.XXX) = ±0.127 (0.005)		SIZE D	CAGE CODE 67131
THIRD ANGLE PROJECTION 		DWG NO 43208	REV #5
DO NOT SCALE DRAWING		SCALE 12:1	SHEET 2 OF 3

VICOR CONFIDENTIAL
 THIS DOCUMENT AND THE DATA DISCLOSED HEREIN OR
 HEREIN IS NOT TO BE REPRODUCED, USED OR
 DISCLOSED IN WHOLE OR IN PART TO ANYONE WITHOUT
 THE PERMISSION OF VICOR CORP.


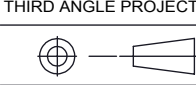
REVISIONS			
REV	DESCRIPTION	DATE	APPROVED
	SEE SHEET 1		



LARGE PIN BLOCKS

PIN BLOCK NAME	GROUP OF PINS
VS1	14A-K
PGND	12A-K
VIN	8A-K, 9A-K, 10A-K
PGND	2F-J, 3F-J, 4C-J, 5B-J, 6C-K
SGND	1D, 2B-E, 3B-E, 4B

TOP THROUGH VIEW OF PRODUCT

DRAWN BY Jackson Flynn	DATE 12/2/2015	 VICOR <small>SWD</small>	
UNLESS OTHERWISE SPECIFIED DIMENSIONS ARE MM (INCH)		PI352x & PI332x ZVS BUCK	
TOLERANCES ARE: DECIMALS ANGLES XXX (XXX) ±0.25 (0.01) ±1° X.XXX (X.XXX) ±0.12 (0.005)		SIZE D 67131	DWG NO 43208 REV #5
THIRD ANGLE PROJECTION  DO NOT SCALE DRAWING		SCALE 33:1	SHEET 3 OF 3