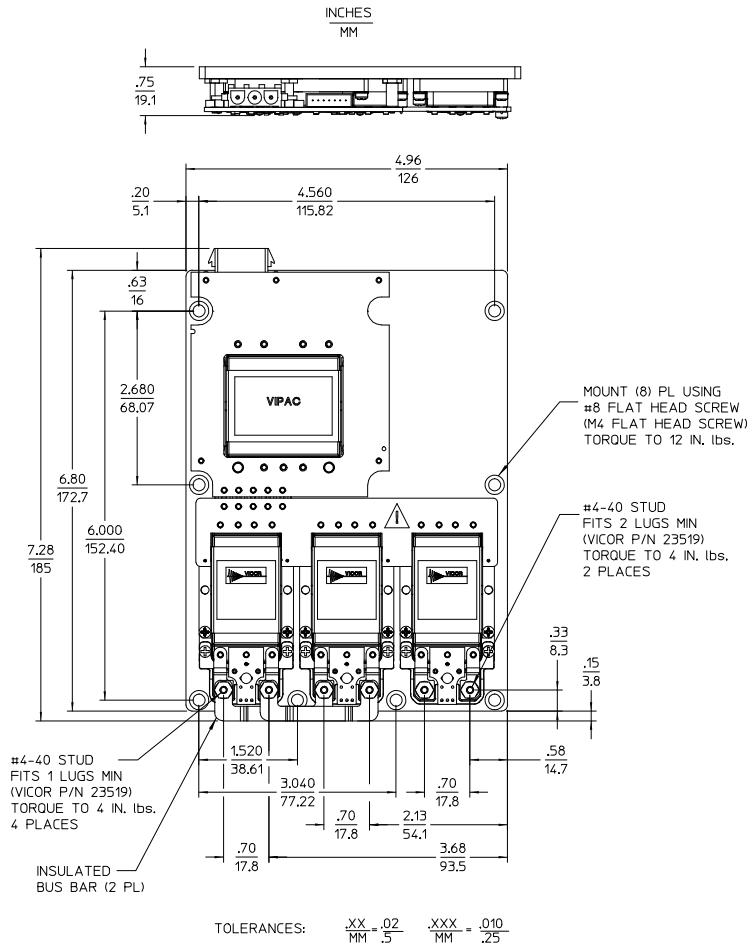
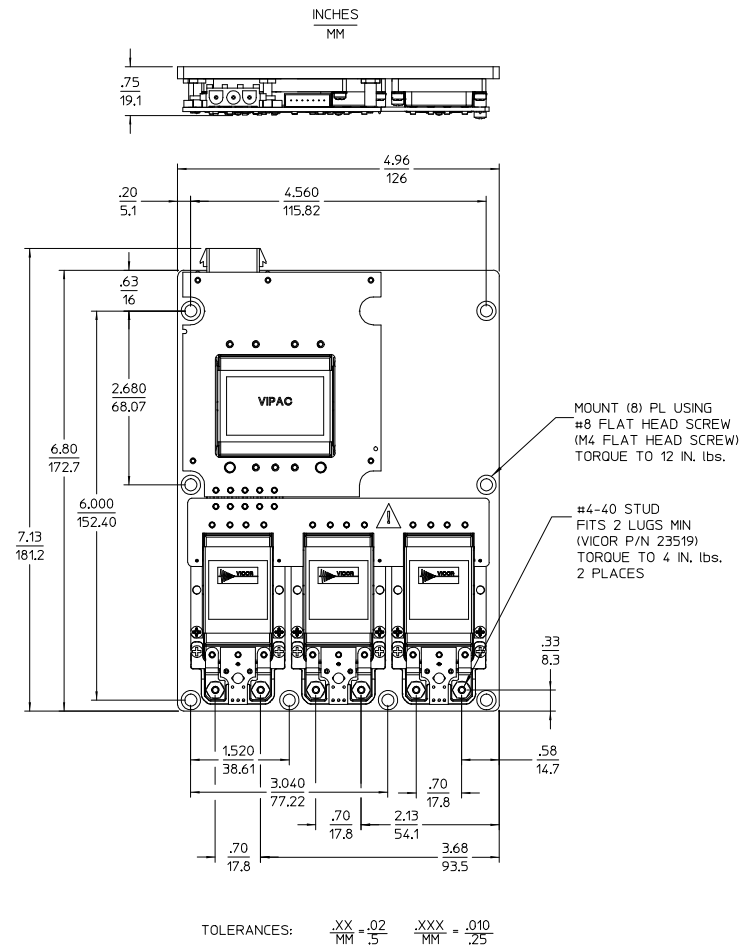


REV.	DESCRIPTION	DATE	APVD
1	RELEASE PER E160775a	GCK 08/09/16	MTB

CONFIGURATION 'A'
COLDPLATE VERSION SHOWN
DUAL OUTPUT
WITH LUGMATES



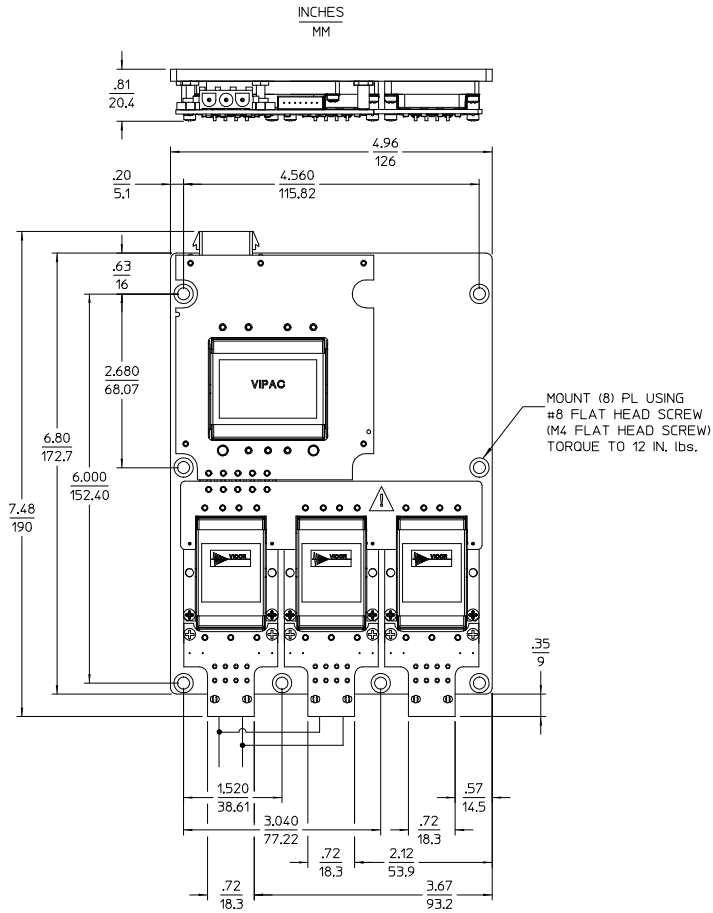
CONFIGURATION 'A'
COLDPLATE VERSION SHOWN
TRIPLE OUTPUT
WITH LUGMATES



DRAWN BY A. RIZMAR	DATE 12/12/00			
<small>UNLESS OTHERWISE SPECIFIED DIMENSIONS ARE IN INCHES TOLERANCES ARE: FRACTIONS DECIMALS ANGLES .XX .01 .1° .XXX .005 .1°</small>				
THIRD ANGLE PROJECTION	SIZE D	PSCM NO. 67131	DWG NO. 21317	REV 1
DO NOT SCALE DRAWING	SCALE 1:1	SHEET 1 OF 2		

REV.	DESCRIPTION	DATE	APVD
SEE SHEET 1			

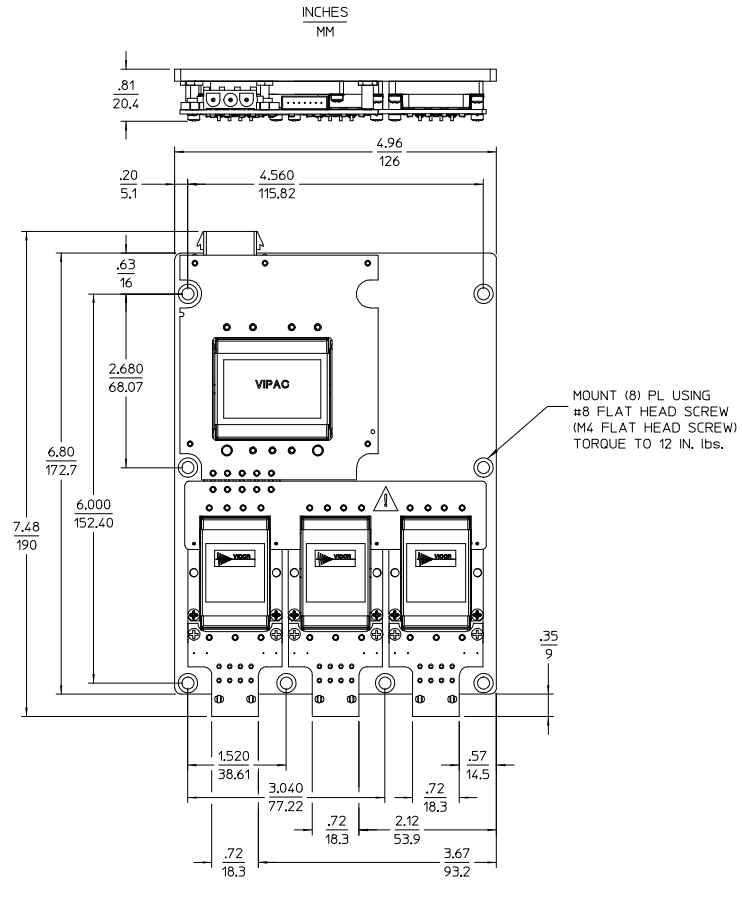
CONFIGURATION 'A'
COLDPLATE VERSION SHOWN
DUAL OUTPUT
WITH PLUGMATES



CUSTOMER MUST WIRE OUTPUTS OF CONVERTERS IN PARALLEL AS SHOWN. REFER TO DATA SHEET FOR DETAILS.

TOLERANCES: $\frac{.XX}{MM} = \frac{.02}{.5}$ $\frac{.XXX}{MM} = \frac{.010}{.25}$

CONFIGURATION 'A'
COLDPLATE VERSION SHOWN
TRIPLE OUTPUT
WITH PLUGMATES



TOLERANCES: $\frac{.XX}{MM} = \frac{.02}{.5}$ $\frac{.XXX}{MM} = \frac{.010}{.25}$

DRAWN BY: A. RIZMAR	DATE: 12/12/00		
<small>UNLESS OTHERWISE SPECIFIED DIMENSIONS ARE IN INCHES TOLERANCES ARE: FRACTIONS DECIMALS ANGLES .XXX +.01 .010 .010 .XXX .000 .010</small>			
THIRD ANGLE PROJECTION 	SIZE D	PSCM NO. 67131	DWG NO. 21317
DO NOT SCALE DRAWING	SCALE 1:1	SHEET 2	OF 2