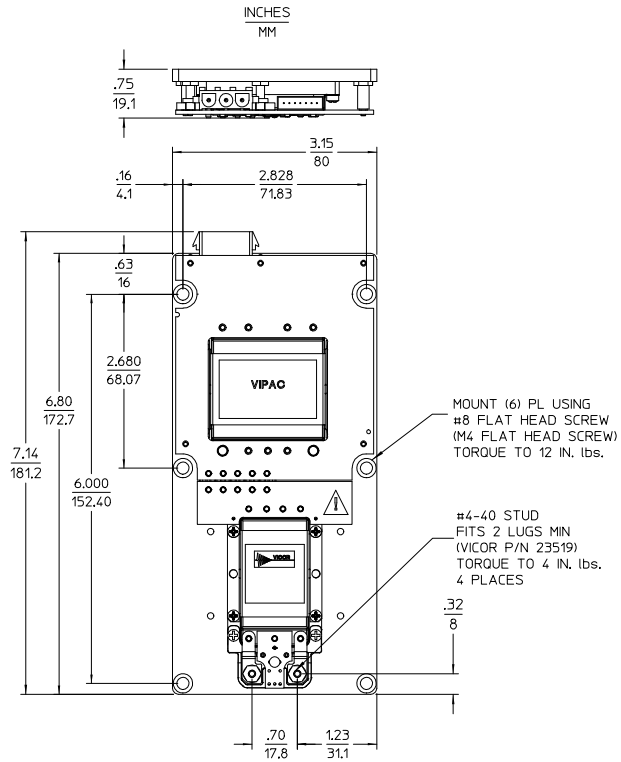


REV.	DESCRIPTION	DATE	APVD
1	RELEASED PER E1607750	GCK 08/09/16	MTB

CONFIGURATION 'G'

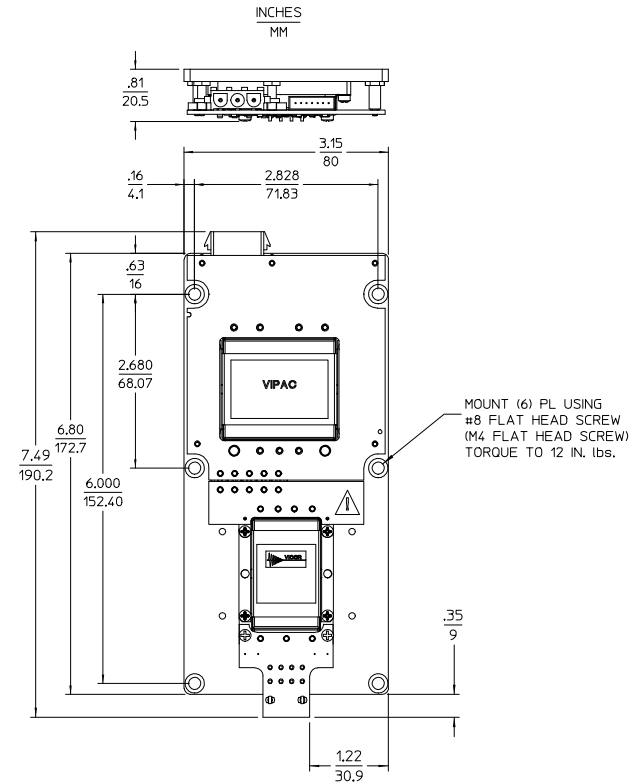
COLDPLATE VERSION SHOWN
SINGLE OUTPUT
WITH LUGMATE



TOLERANCES: $\frac{.XX}{MM} = \frac{.02}{.5}$ $\frac{.XXX}{MM} = \frac{.010}{.25}$

CONFIGURATION 'G'

COLDPLATE VERSION SHOWN
SINGLE OUTPUT
WITH PLUGMATE



TOLERANCES: $\frac{.XX}{MM} = \frac{.02}{.5}$ $\frac{.XXX}{MM} = \frac{.010}{.25}$

DRAWN BY A. ADAM	DATE 4/19/01				
<small>UNLESS OTHERWISE SPECIFIED DIMENSIONS ARE IN INCHES TOLERANCES ARE: FRACTIONS DECIMALS ANGLES XXX +.01 .015 +1/16 .005</small>					
THIRD ANGLE PROJECTION		SIZE D	PSCH NO. 67131	DWG NO. 21231	REV 1
DO NOT SCALE DRAWING		SCALE 1:1	SHEET 1 OF 1		

OUTLINE DRAWING
VIPAC CONFIG "G" (DC)