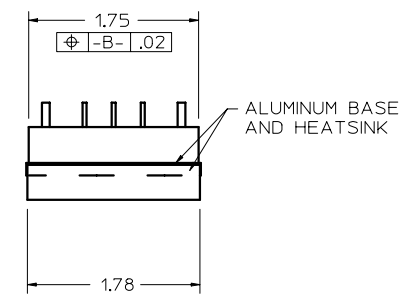
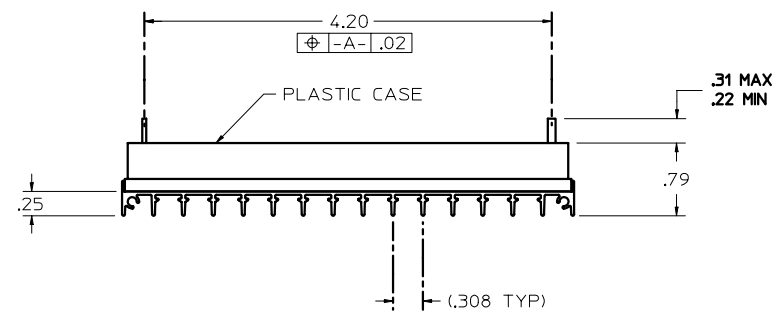
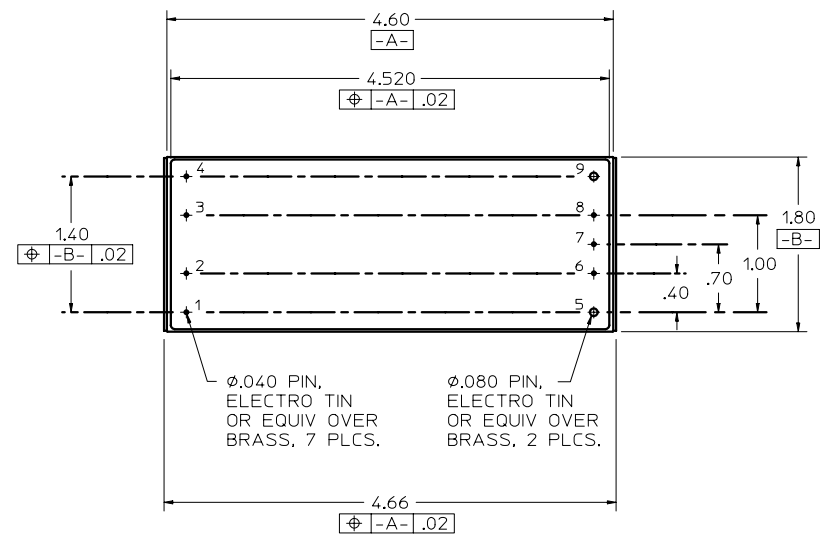


VICOR CONFIDENTIAL

THIS DOCUMENT AND THE DATA DISCLOSED HEREIN OR HEREWITH IS NOT TO BE REPRODUCED, USED, OR DISCLOSED IN WHOLE OR IN PART TO ANYONE WITHOUT PERMISSION OF VICOR CORP.

REV.	DESCRIPTION	DATE	APPROVED
1	RELEASE PER E910657	BJR 11/25/91	WPP
02	RELEASE PER E950374	RCM 8/1/95	DPK



PIN #	UNITS/FUNCTION	
	VI-2XX-XX-F3	VI-BXX-XX-F3 (VI-200)
1	+IN	+IN
2	GATE IN	GATE IN
3	GATE OUT	GATE OUT
4	-IN	-IN
5	+OUT	+OUT
6	+SENSE	DO NOT CONNECT
7	TRIM	DO NOT CONNECT
8	-SENSE	DO NOT CONNECT
9	-OUT	-OUT

<small>UNLESS OTHERWISE SPECIFIED TOLERANCES ARE:</small> FRACTIONS DECIMALS ANGLES ± 1/64 JO ± .01 ± 90 JO ± .005	APPROVALS C HUTCHINS	DATE 8/91	
	THIRD ANGLE PROJECTION 	OUTLINE DRAWING, FIN MOD (F3)	
DO NOT SCALE DRAWING	SIZE / FSCH NO. C 67131	DWG. NO. 06159	REV. 02
SCALE: FULL	SHEET 1 OF 1		