

**PROPRIETARY DATA:**  
 This document and information contained  
 may not be reproduced, used or disclosed  
 without prior written permission of WESTCOR  
 a division of VICOR Corporation.

NOTES: UNLESS OTHERWISE SPECIFIED

1. MATERIALS: UL RECOGNIZED 94V-2 FLAMMABILITY RATING CLASS B (130°C) REQUIRED.

1.1 CORE: TOROID,  $\mu = 5000$

MAGNETICS: ZJ-43806-TC OR

PERMACOR: 87-9040-26 OR

SHANGHAI SUPER LIGHT ELECTRONICS COMPONENTS LTD.

P/N: T38X19X6.35-C. MATERIAL R5K (CAN BE USED IF ROHS COMPLIANT)

1.2 WIRE: UL RECOGNIZED 130°C MINIMUM RATING MAGNET WIRE. APPROVED MFR: ESSEX  
 OTHER MFR HAS TO BE ROHS COMPLIANT CERTIFIED BEFORE USE.

1.3 OUTER WRAP: 3M #69 OR #1350F, OR SAINT-GOBAIN #M706

1.4 MATERIAL CERTIFICATE OF COMPLIANCE REQUIRED.

2. SPECIFICATIONS:

2.1 L = 52  $\mu$ H MIN/COIL (1 KHZ, <1Vrms)

2.2 DCR = .4 MOHMS MAX/COIL

2.3 POWER LOSS = 5.2W MAX @ 80A/COIL

2.4 HI-POT TEST COIL TO COIL, 250VDC TO INSURE INTEGRITY OF WINDING  
 INSULATION COVERING HAS NOT BEEN BREACHED.

3. CONSTRUCTION:

3.1 WIND COILS EVENLY SPACED (NOTE POLARITY)

3.2 REMOVE INSULATION AND TIN LEADS APPROX FLUSH WITH THE COIL AS SHOWN  
 (I.E. COIL MUST REST FLAT ON PCB). LEADS MUST BE TANGENT TO THE CORE.

3.3 WRAP INDUCTOR WITH TAPE, (PER NOTE 1.3). MARK PART NUMBER AND REVISION  
 IN (BLACK) APPROX. WHERE SHOWN, USING A PERMANENT MARKING METHOD.

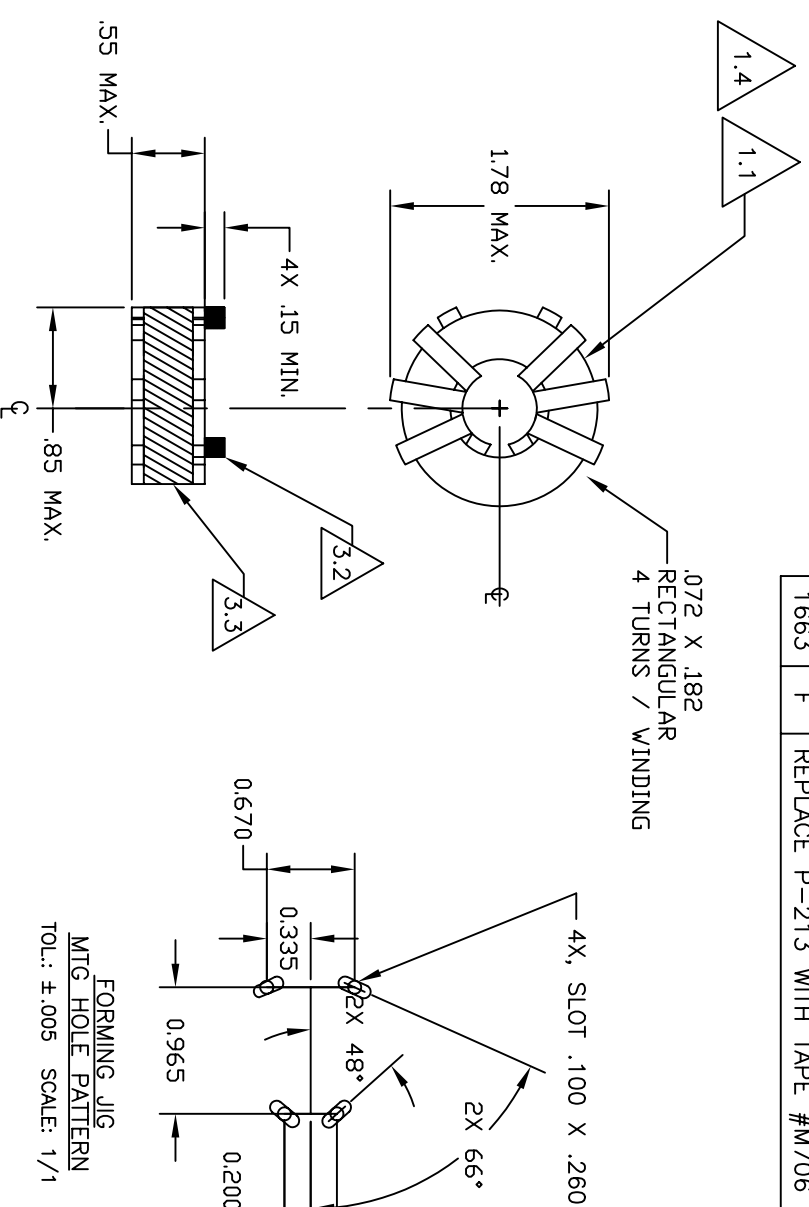
3.4 COIL LEADS MUST FUNCTION FIT INTO A JIG MADE PER THE DIMENSIONS SHOWN  
 ON "FORMING JIG MTG HOLE PATTERN" TO INSURE PROPER POSITION AND ANGLE.

DWG NO. 36-00029-06

SH 1 REV F


REVISIONS

ECO	REV	DESCRIPTION	DATE	APPROVED
687	A	CHANGED MATERIAL	7-25-97	RBD
730	B	CHG: NOTE 2.1, WAS: L = 56 $\mu$ H	12-18-97	RBD
1023	C	CHG: NOTES 2.1, & 3.3 PER ECO	05-15-00	RBD
---	C1	ADD PERMACORE 87-9040-26	11/10/00	RBD
---	C2	CERT. OF COMPLIANCE CHANGES	6/5/03	RO
1417	C3	ADD SOURCE SHANGHAI SUPER ELECT	09/07/04	RBD
1462	D	ADDED ROHS SPEC NOTE	06/21/05	LGK
1543	E	TAPE # 1350F WAS # 1298	09/01/05	LGK
1663	F	REPLACE P-213 WITH TAPE #M706	07/18/06	LGK



FORMING JIG  
 MTG HOLE PATTERN  
 TOL.:  $\pm .005$  SCALE: 1/1

NOTE: CERTIFICATION OF MATERIAL COMPLIANCE REQUIRED.  
 COMPLETED ASSEMBLY MUST BE (ROHS) COMPLIANT  
 PER VICOR SPEC CST-0001.

UNLESS OTHERWISE SPECIFIED DIMENSIONS ARE IN INCHES TOLERANCES ARE:		CONTRACT NO. ---	
FRACTIONS $\pm$ ----	DECIMALS $\pm$ .05	ANGLES $\pm$ 3'	
	.XXX $\pm$ .020		
MATERIAL SEE NOTES		APPROVALS	
FINISH ---		DRAWN M.E. TURRALDE	DATE 12/26/96
NEXT ASSY USED ON		CHECKED L.KING	7/25/97
APPLICATION		APPROVED R.B.DRABING	7/25/97
DO NOT SCALE DRAWING		DESIGNED R.CABALLERO	12/03/96
 WESTCOR a division of VICOR Corp.			
IND COMMON MODE 70 $\mu$ H 80A			
SIZE B	CAGE CODE ---	DWG NO. 36-00029-06	REV F
SCALE NTS	FILENAME 36-00029-06.DWG	SHEET 1	OF 1