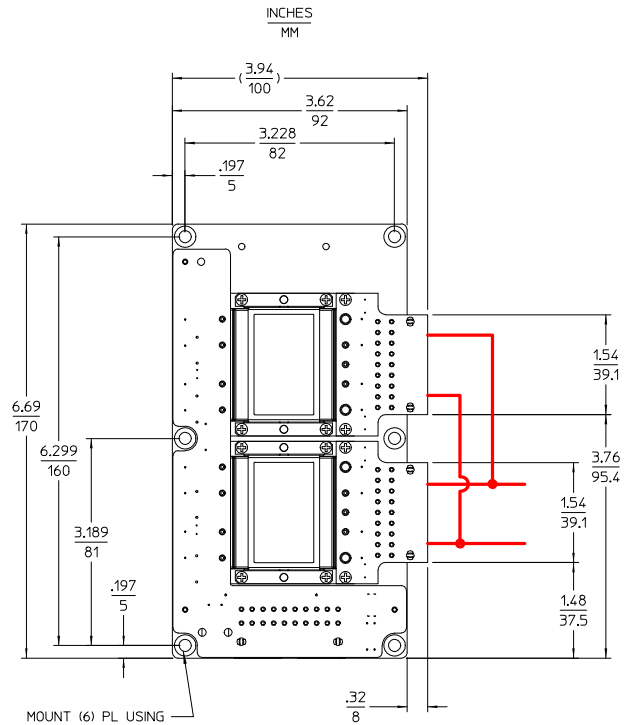


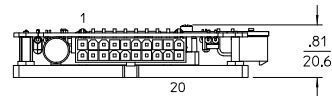
REV.	DESCRIPTION	DATE	APVD
SEE SHEET 1			

CONFIGURATION 'A'

**SINGLE OUTPUT
WITH PLUGMATES**



MOUNT (6) PL USING
#8 FLAT HEAD SCREW
(M4 FLAT HEAD SCREW)
TORQUE TO 12 in. lbs.

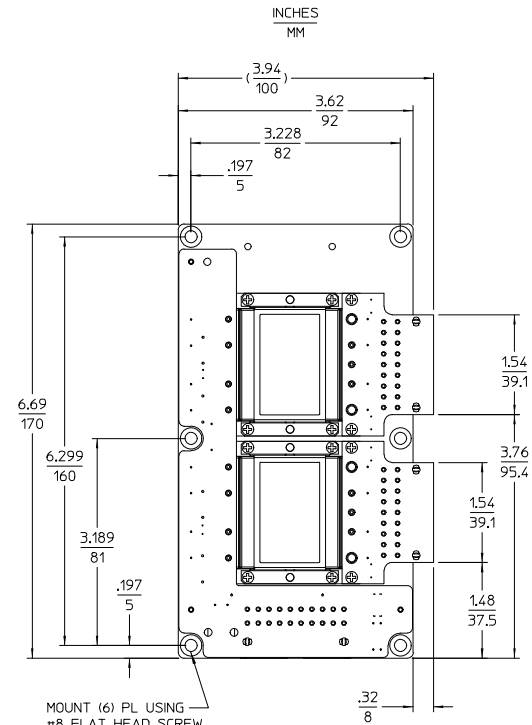


CUSTOMER MUST WIRE OUTPUTS OF
CONVERTERS IN PARALLEL AS SHOWN
REFER TO DATA SHEET FOR DETAILS

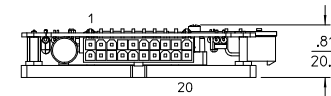
TOLERANCES: .XX = .02 .XXX = .010
MM = .5 MM = .25

CONFIGURATION 'A'

**DUAL OUTPUT
WITH PLUGMATES**



MOUNT (6) PL USING
#8 FLAT HEAD SCREW
(M4 FLAT HEAD SCREW)
TORQUE TO 12 in. lbs.



TOLERANCES: .XX = .02 .XXX = .010
MM = .5 MM = .25

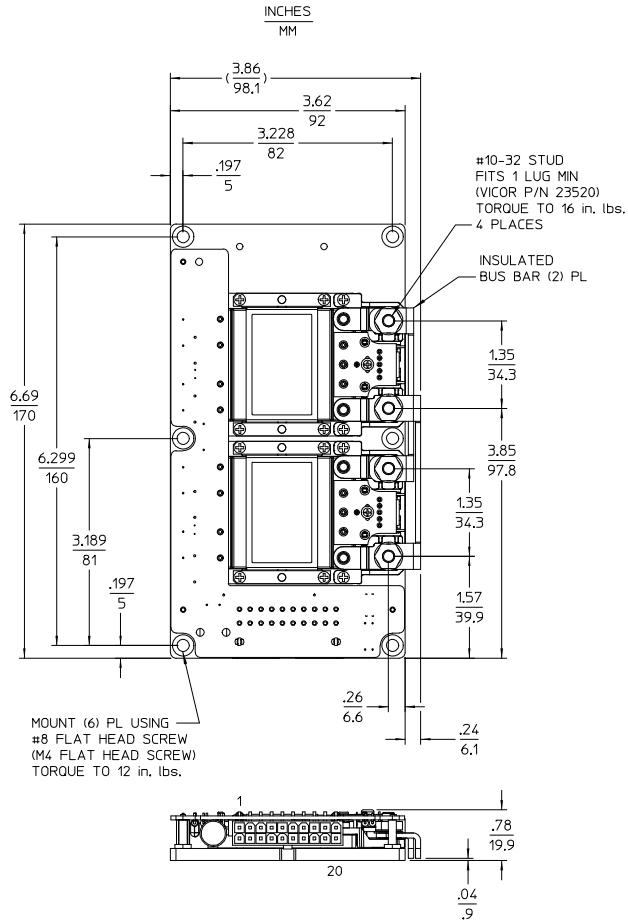
<table border="1"> <tr> <td>DRAWN BY C. HUTTENBACH</td> <td>DATE 3/22</td> </tr> <tr> <td colspan="2">UNLESS OTHERWISE SPECIFIED DIMENSIONS ARE IN INCHES TOLERANCES ARE: FRACTIONS DECIMALS ANGLES XXX +.01 .01 +1/64 .005 .1°</td> </tr> <tr> <td>THIRD ANGLE PROJECTION</td> <td>SIZE D</td> </tr> <tr> <td>DO NOT SCALE DRAWING</td> <td>SCALE 1:1</td> </tr> </table>	DRAWN BY C. HUTTENBACH	DATE 3/22	UNLESS OTHERWISE SPECIFIED DIMENSIONS ARE IN INCHES TOLERANCES ARE: FRACTIONS DECIMALS ANGLES XXX +.01 .01 +1/64 .005 .1°		THIRD ANGLE PROJECTION	SIZE D	DO NOT SCALE DRAWING	SCALE 1:1	
DRAWN BY C. HUTTENBACH	DATE 3/22								
UNLESS OTHERWISE SPECIFIED DIMENSIONS ARE IN INCHES TOLERANCES ARE: FRACTIONS DECIMALS ANGLES XXX +.01 .01 +1/64 .005 .1°									
THIRD ANGLE PROJECTION	SIZE D								
DO NOT SCALE DRAWING	SCALE 1:1								
OUTLINE DRAWING VIPAC ARRAY CONFIG 'A'									
PSCH NO. 67131	DWG NO. 24822								
REV 2	SHEET 2 OF 2								

THIS DOCUMENT AND THE DATA DISCLOSED HEREIN OR HEREWITH IS NOT TO BE REPRODUCED, USED, OR DISCLOSED IN WHOLE OR IN PART TO ANYONE WITHOUT PERMISSION OF VICOR CORP.

REV.	DESCRIPTION	DATE	APVD
1	RELEASED PER E0430434	PEI 09/20/04	FN
2	REVSD PER E053078	AK 06/20/05	FN

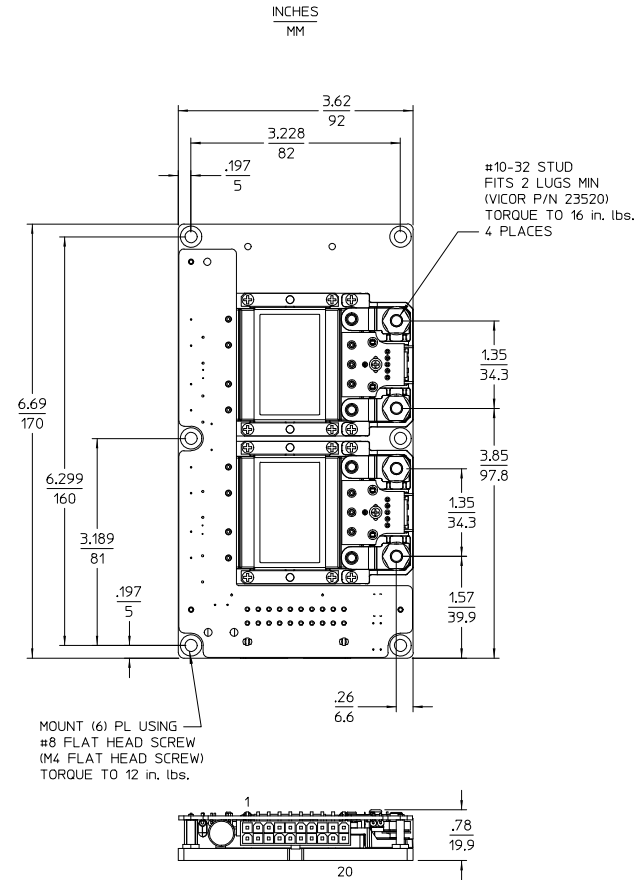
CONFIGURATION 'A'

**SINGLE OUTPUT
WITH LUGMATES**



CONFIGURATION 'A'

**DUAL OUTPUT
WITH LUGMATES**



DRWN BY	DATE	VICOR	
C. HUTTENBERG	3/22	OUTLINE DRAWING VIPAC ARRAY CONFIG 'A'	
<small>UNLESS OTHERWISE SPECIFIED DIMENSIONS ARE IN INCHES - TOLERANCES ARE: FRACTIONS DECIMALS ANGLES .XX = .01 .XXX = .005 .XXX = .01 .XXX = .005</small>			
THIRD ANGLE PROJECTION	SIZE	PSCH NO.	DWG NO.
DO NOT SCALE DRAWING	D	67131	24822
SCALE	1:1	SHEET	1 OF 2