

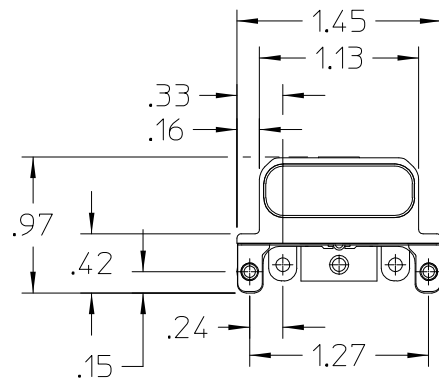
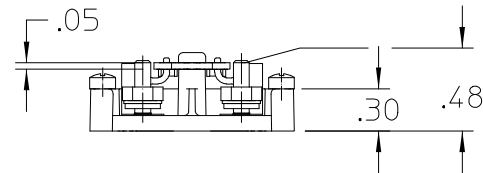
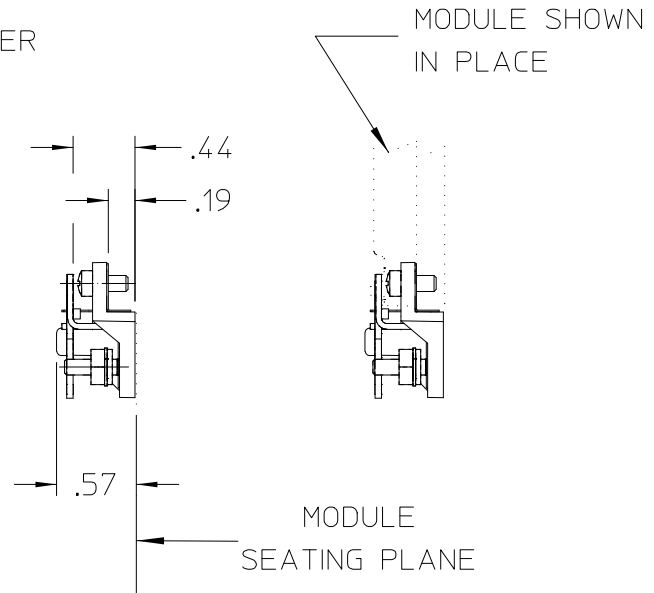
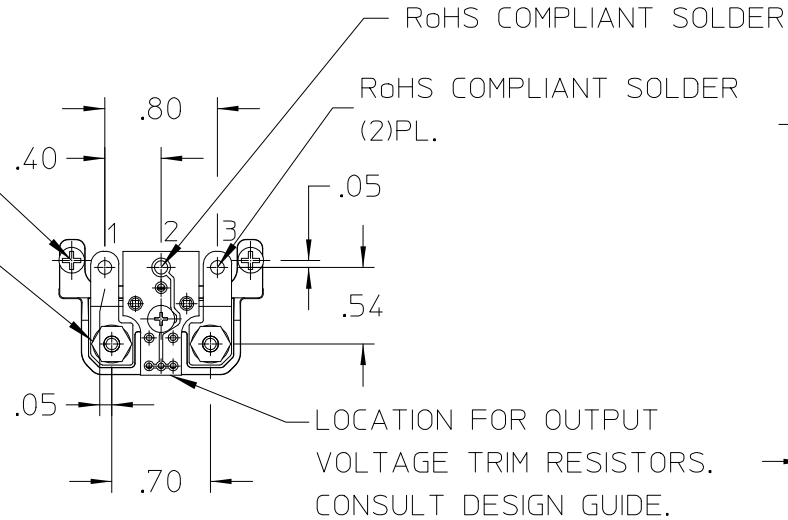
VICOR CONFIDENTIAL

THIS DOCUMENT AND THE DATA DISCLOSED HEREIN OR HEREWITH IS NOT TO BE REPRODUCED, USED, OR DISCLOSED IN WHOLE OR IN PART TO ANYONE WITHOUT PERMISSION OF VICOR CORP.

REV.	DESCRIPTION	DATE	APPROVED
1	RELEASED PER E0430434	09/20/04	FN
2	REVISED PER E071904	08/24/07	AR

#4 FILLISTER HEAD TORQUED TO 6 IN/LBS (2)PL.

#4 HEX HEAD TORQUED TO 4 IN/LBS (2)PL.



PIN #	FUNCTION
1	+OUT
2	TRIM
3	-OUT

NOTE:

1. RoHS COMPLIANT PER CST-0001 LATEST REVISION.

DRAWN BY <i>D.CVINAR</i>		DATE <i>12/11/01</i>			
<small>UNLESS OTHERWISE SPECIFIED DIMENSIONS ARE IN INCHES - TOLERANCES ARE: FRACTIONS DECIMALS ANGLES ±1/64 .XX= ±.02 ±1° .XXX=±.010</small>					
THIRD ANGLE PROJECTION 		SIZE B	FSCM NO. 67131	DWG NO <i>24678</i>	REV 2
DO NOT SCALE DRAWING		SCALE 1:1	SHEET 1 OF 1		