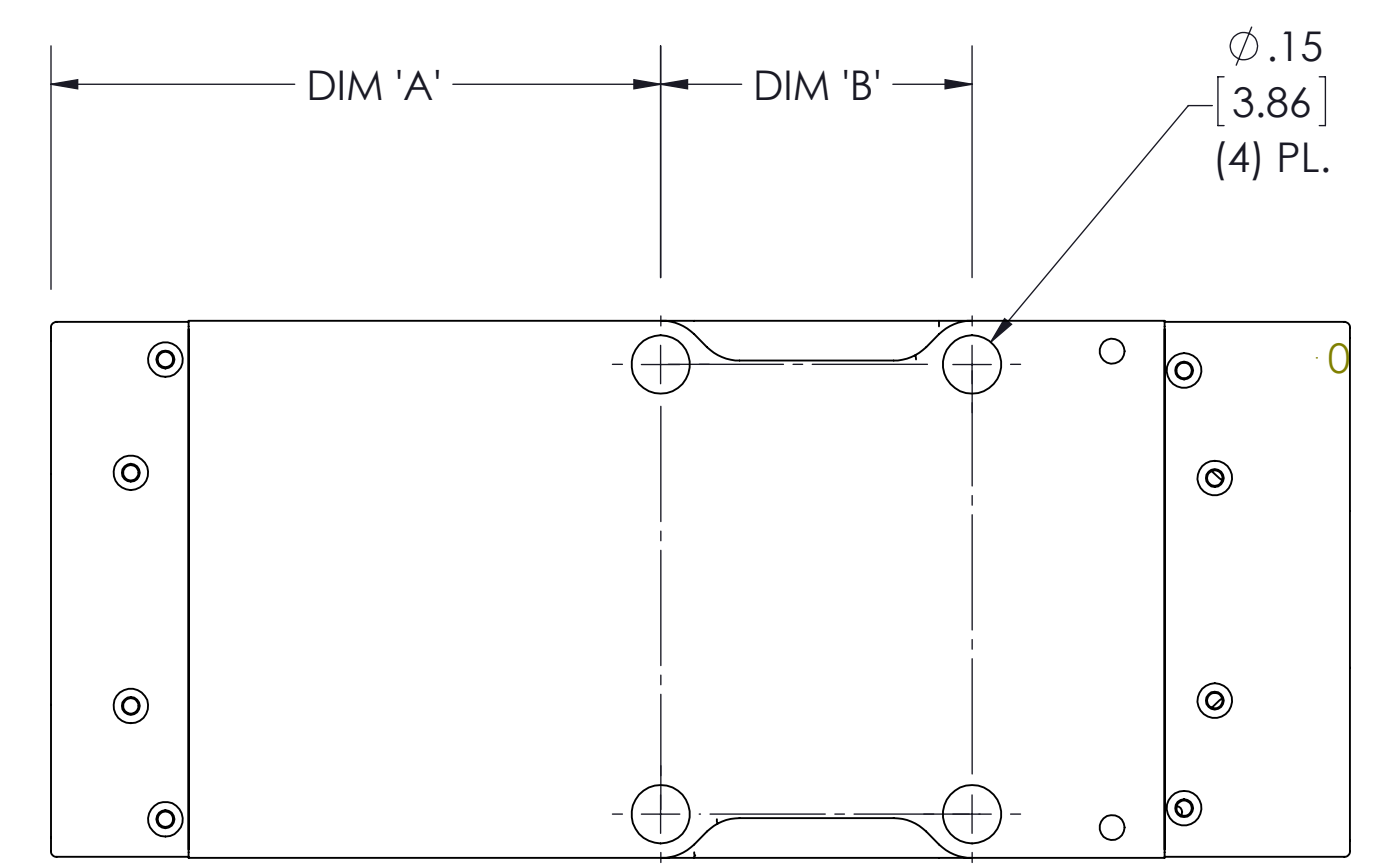
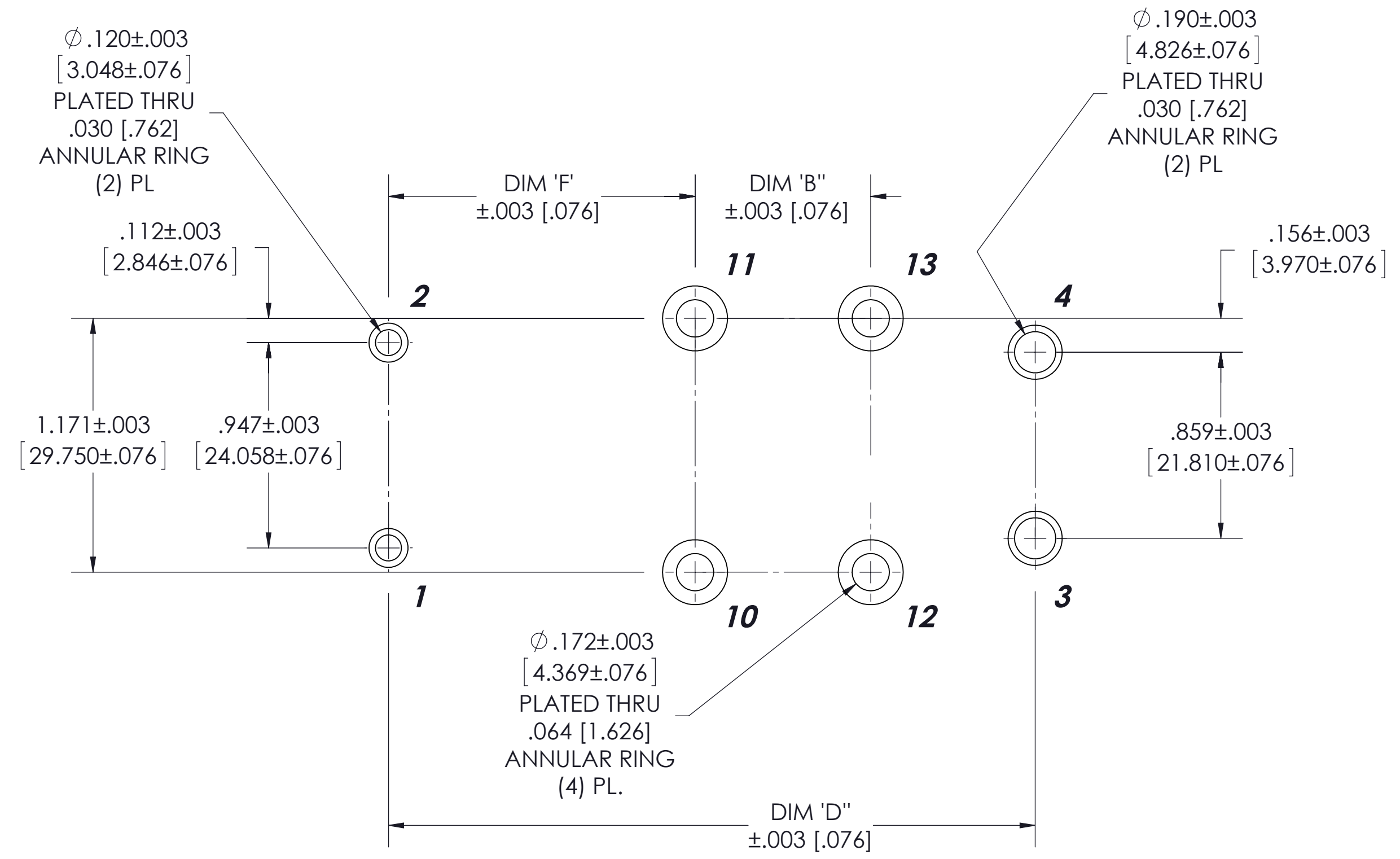


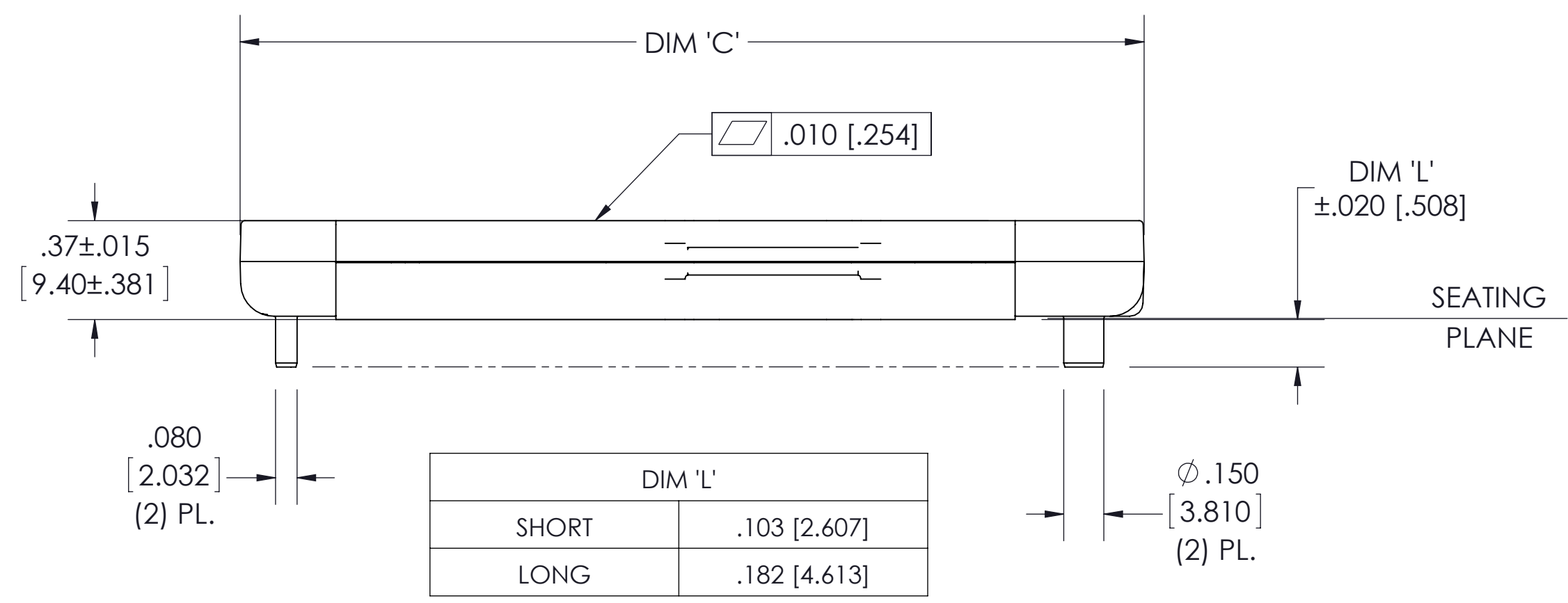
REV.	DESCRIPTION	INTL	DATE	APVD
1	RELEASE PER E160706	MTB	07/20/16	REJH
2	REVISED PER E171079	JM	12/12/17	REJH
3	REVISED PER E180139	REJH	02/18/18	DK
4	REVISED PER E180356	US	05/14/18	REJH



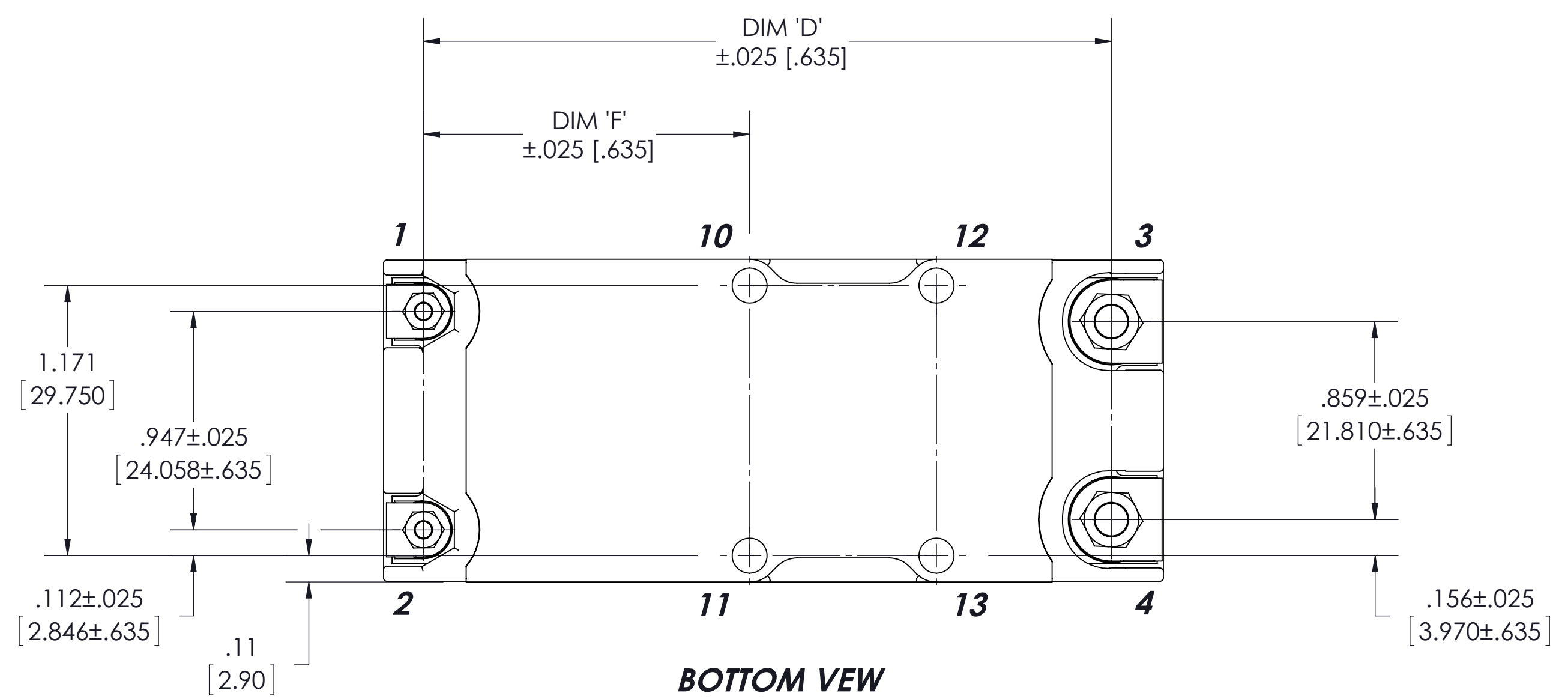
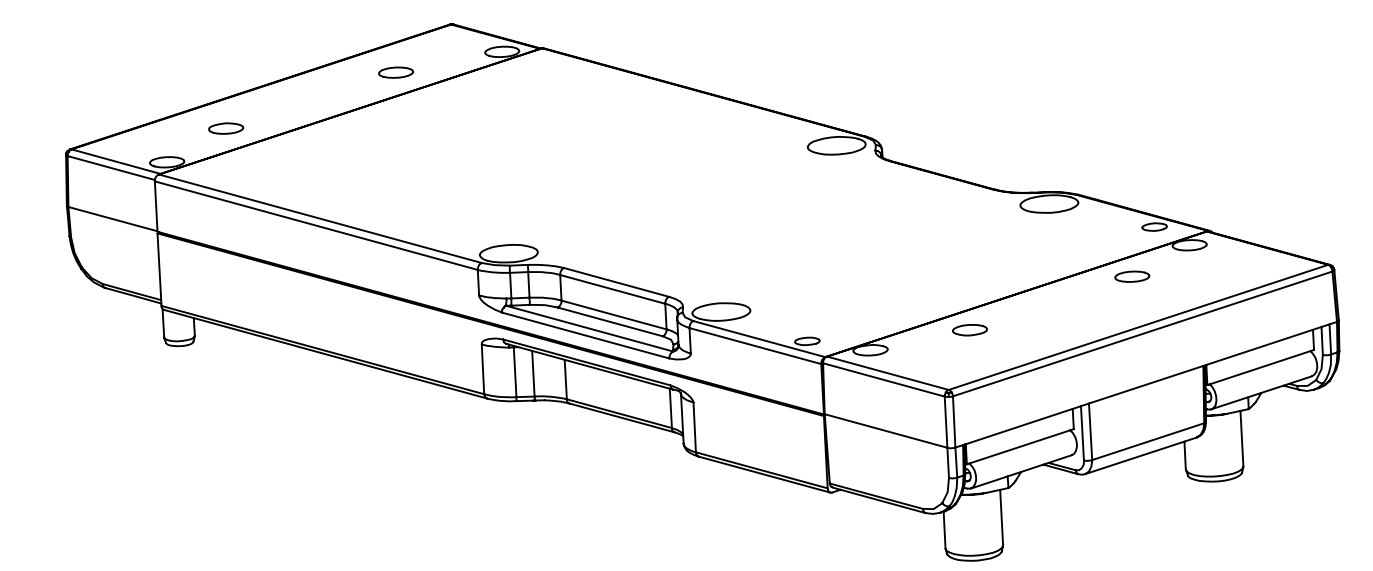
TOP VIEW
(COMPONENT SIDE)



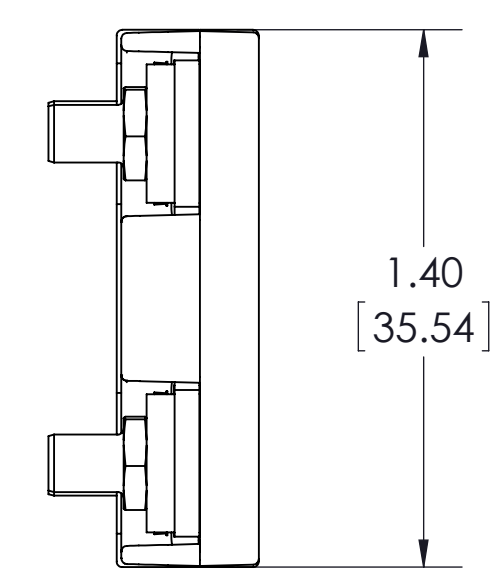
RECOMMENDED HOLE PATTERN
(COMPONENT SIDE)



DIM 'L'	
SHORT	.103 [2.607]
LONG	.182 [4.613]



BOTTOM VIEW



PRODUCT	DIM 'A'	DIM 'B'	DIM 'C'	DIM 'D'	DIM 'F'
3414 DCM	1.61 [40.93]	.788 [20.005]	3.38 [85.93]	2.988 [75.897]	1.439 [36.554]
3714 DCM	1.61 [40.93]	1.150 [29.200]	3.75 [95.13]	3.350 [85.092]	1.439 [36.554]
4414 BCM	1.61 [40.93]	1.757 [44.625]	4.35 [110.55]	3.957 [100.517]	1.439 [36.554]
4414 PFM	1.61 [40.93]	1.757 [44.625]	4.35 [110.55]	3.957 [100.517]	1.439 [36.554]

- NOTES:
 1- RoHS COMPLIANT PER CST-0001 LATEST REVISION.
 2- SEE PRODUCT DATA SHEET FOR PIN DESIGNATIONS.

DRAWN BY R.E.J. Hickey	DATE 7/28/2015	VICOR <small>SWD</small>	
UNLESS OTHERWISE SPECIFIED DIMENSIONS ARE: INCH / [MM]		PROD OUTL, VIA, PCB MNT, W/O COMM.	
TOLERANCES ARE: DECIMALS XXX (X.XX) = +0.01 (0.25) X.XXX (X.XXX) = +0.005 (0.127)	ANGLES °	SIZE D	CAGE CODE 67131
THIRD ANGLE PROJECTION 	SCALE 2:1	DWG NO 42695	REV 4
DO NOT SCALE DRAWING		SHEET 1 OF 1	