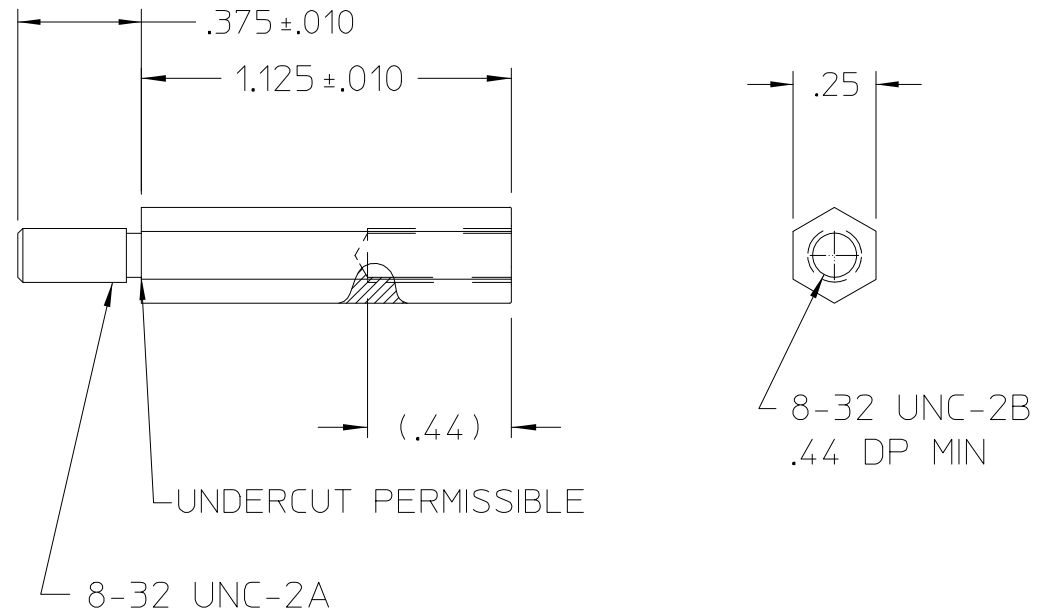


VICOR CONFIDENTIAL THIS DOCUMENT AND THE DATA DISCLOSED HEREIN OR HERewith IS NOT TO BE REPRODUCED, USED, OR DISCLOSED IN WHOLE OR IN PART TO ANYONE WITHOUT PERMISSION OF VICOR CORP.	REV.	DESCRIPTION	DATE	APVD
	1	RELEASE PER E130476	GCK 4/1/13	MH



NOTES

1. MATERIAL: 303 HEX STAINLESS STEEL PER AISI.
2. FINISH: CLEAR PASSIVATE PER QQ-P-35B, TYPE II.
3. REMOVE ALL BURRS AND SHARP EDGES.
4. RoHS COMPLIANT LEAD FREE & CHROMIUM FREE PER CST-0001 LATEST REVISION.

DRAWN BY G.C. KEAY	DATE 02/12/01	THIRD ANGLE PROJECTION 	STANDOFF, HEX 8-32 M/F 1/4 X 1.125 LG, SS		
UNLESS OTHERWISE SPECIFIED DIMENSIONS ARE IN INCHES- TOLERANCES ARE: FRACTIONS DECIMALS ANGLES *1/64 .XX= *.01 ± 1° .XXX=*.005		SIZE A	FSCM NO. 67131	DWG NO 23655	REV 1
		DO NOT SCALE DRAWING		SCALE 2X	SHEET 1 OF 1