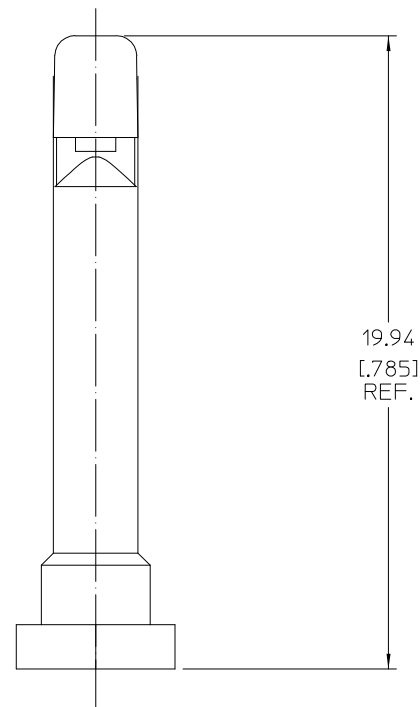
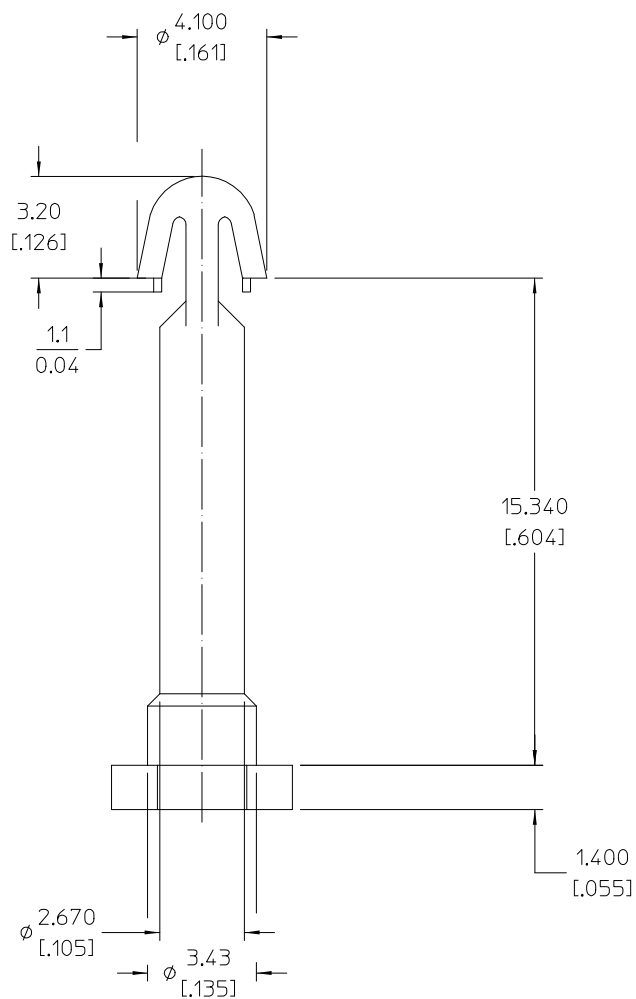
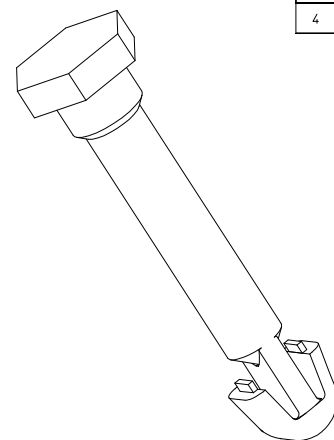
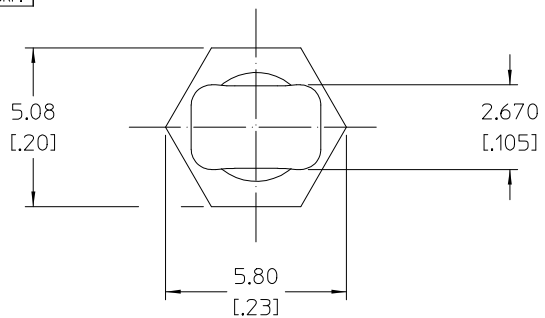


VICOR CONFIDENTIAL

THIS DOCUMENT AND THE DATA DISCLOSED HEREIN OR HEREWITH IS NOT TO BE REPRODUCED, USED, OR DISCLOSED IN WHOLE OR IN PART TO ANYONE WITHOUT PERMISSION OF VICOR CORP.

REV.	DESCRIPTION	DATE	APVD
1	RELEASED PER E063757	PEI 1/30/06	RLT
2	REVISED PER E063328	GCK 9/25/06	ECF
3	REVISED PER E100076	JS 01/17/10	REJH
4	REVISED PER E100389	GCK 3/26/10	REJH



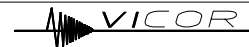
NOTES:

1. MATERIAL: NYLON 66, 94V-2, COLOR: GRAY, NO REGRIND PERMITTED.
2. RoHS COMPLIANT, LEAD FREE PER CST-0001 LATEST REVISION.

DRAWN BY	DATE
D.CIVINAR	1/30/06

UNLESS OTHERWISE SPECIFIED DIMENSIONS ARE MM (INCH)
 TOLERANCES ARE:
 DECIMALS .XX = ± 0.25 [01] ANGLES ± 1°
 .XXX = ± 0.127 [005]

THIRD ANGLE PROJECTION	DO NOT SCALE DRAWING
------------------------	----------------------



**PUSH PIN GRAY
 VIC JLEAD HEATSINK (19.9mm)**

SIZE	FSCM NO.	DWG NO	REV
©	67131	32430	4
SCALE	8:1	SHEET	1 OF 1