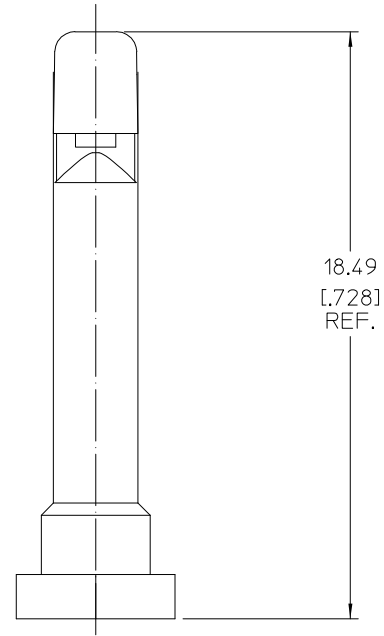
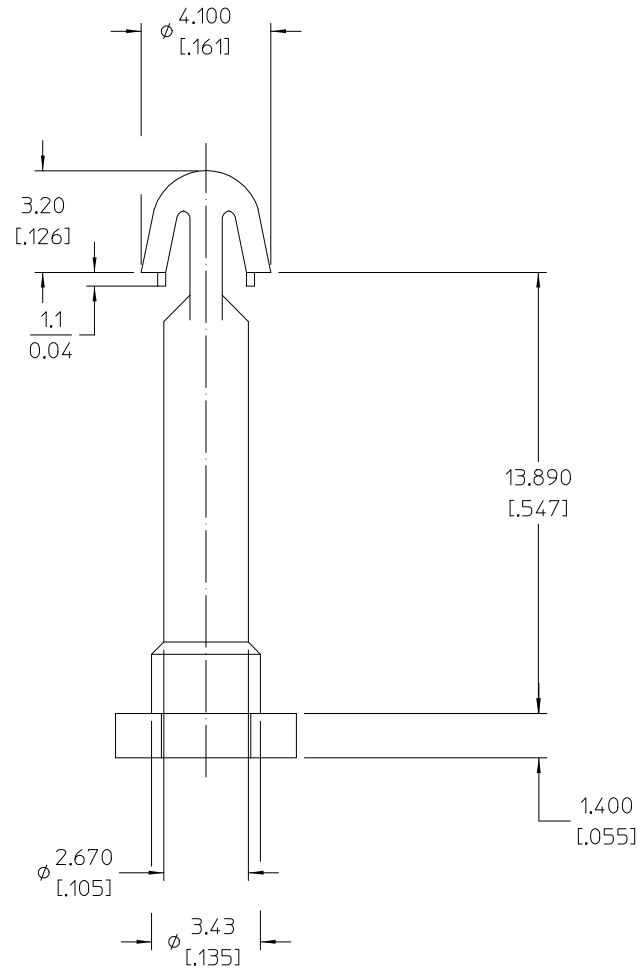
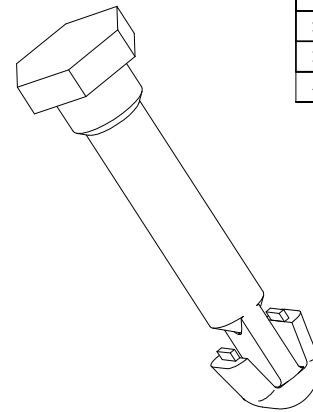
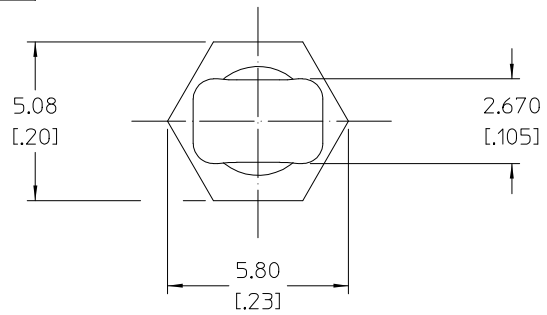


VICOR CONFIDENTIAL

THIS DOCUMENT AND THE DATA DISCLOSED
HEREIN OR HEREWITH IS NOT TO BE REPRODUCED,
USED, OR DISCLOSED IN WHOLE OR IN PART
TO ANYONE WITHOUT PERMISSION OF VICOR CORP.

REV.	DESCRIPTION	DATE	APVD
1	RELEASED PER E063757	04/03/06	RLT
2	REVISED PER E06338	9/25/06	ECF
3	REVISED PER E100076	01/17/10	REJH
4	REVISED PER E100389	3/26/10	REJH



NOTES:

1. MATERIAL: NYLON 66, 94V-2, COLOR BLACK, NO REGRIND PERMITTED.
2. RoHS COMPLIANT, LEAD FREE PER CST-0001 LATEST REVISION.

DRAWN BY	DATE
D.CVINAR	1/30/06

UNLESS OTHERWISE SPECIFIED
DIMENSIONS ARE MM (INCH)
TOLERANCES ARE:
DECIMALS ANGLES
.XX* ± 0.25 [01] ± 1°
.XXX* ± 0.127 [005]

THIRD ANGLE PROJECTION	DO NOT SCALE DRAWING
------------------------	----------------------



PUSH PIN BLACK
VIC JLEAD HEATSINK (18.5mm)

SIZE	FSCM NO.	DWG NO	REV
©	67131	32428	4
SCALE	8:1	SHEET	1 OF 1