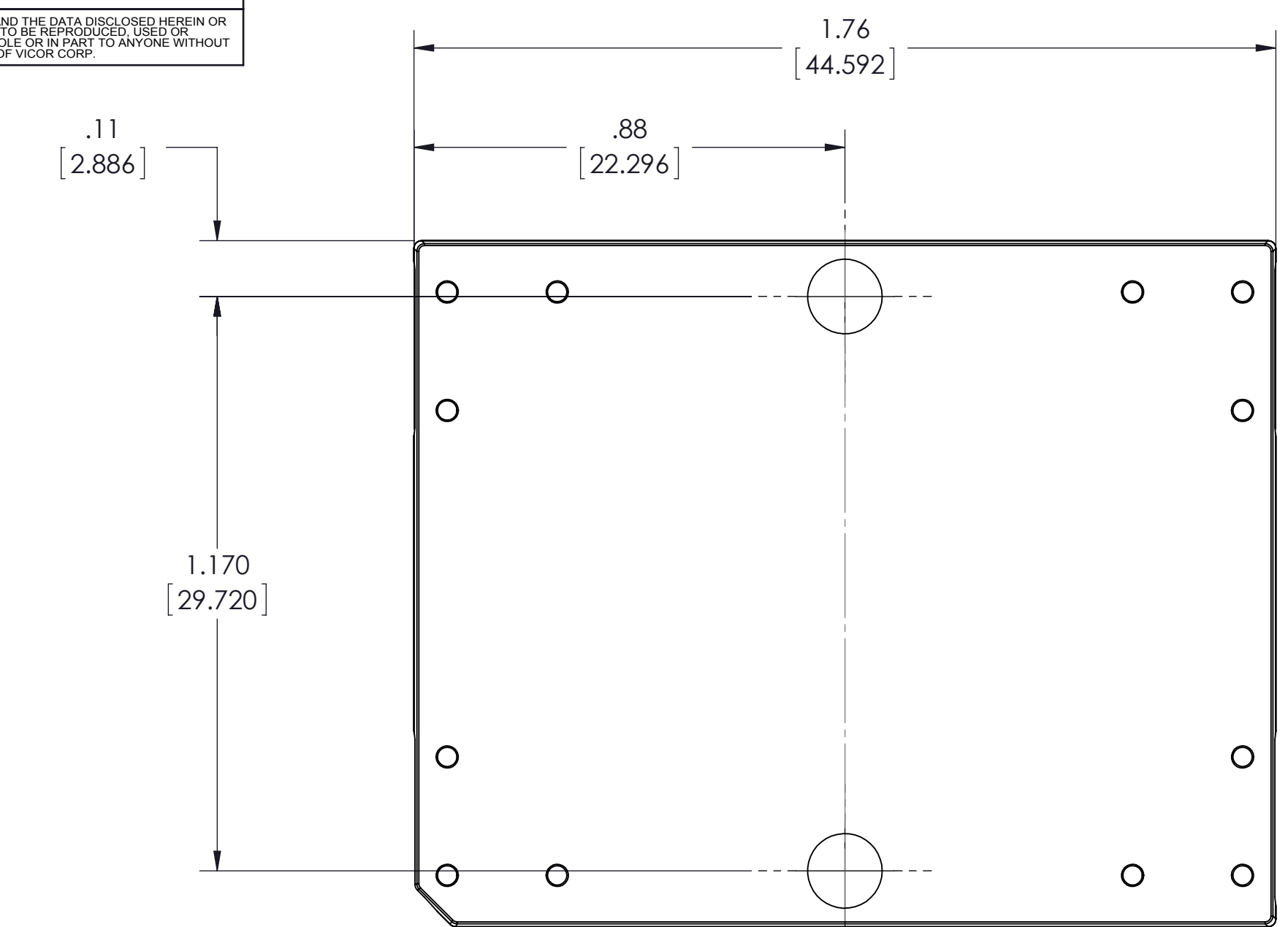
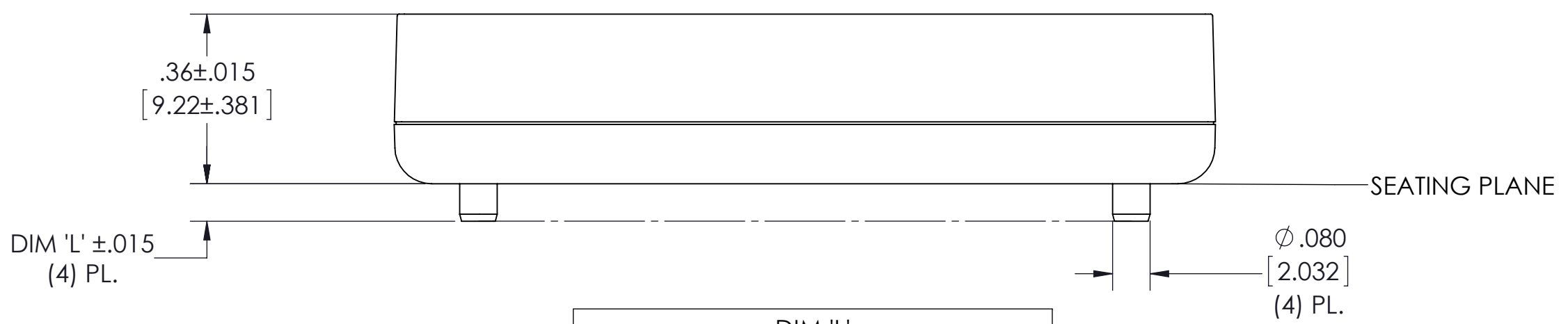


VICOR CONFIDENTIAL
 THIS DOCUMENT AND THE DATA DISCLOSED HEREIN OR
 HEREON IS NOT TO BE REPRODUCED, COPIED OR
 DISCLOSED IN WHOLE OR IN PART TO ANYONE WITHOUT
 THE PERMISSION OF VICOR CORP.

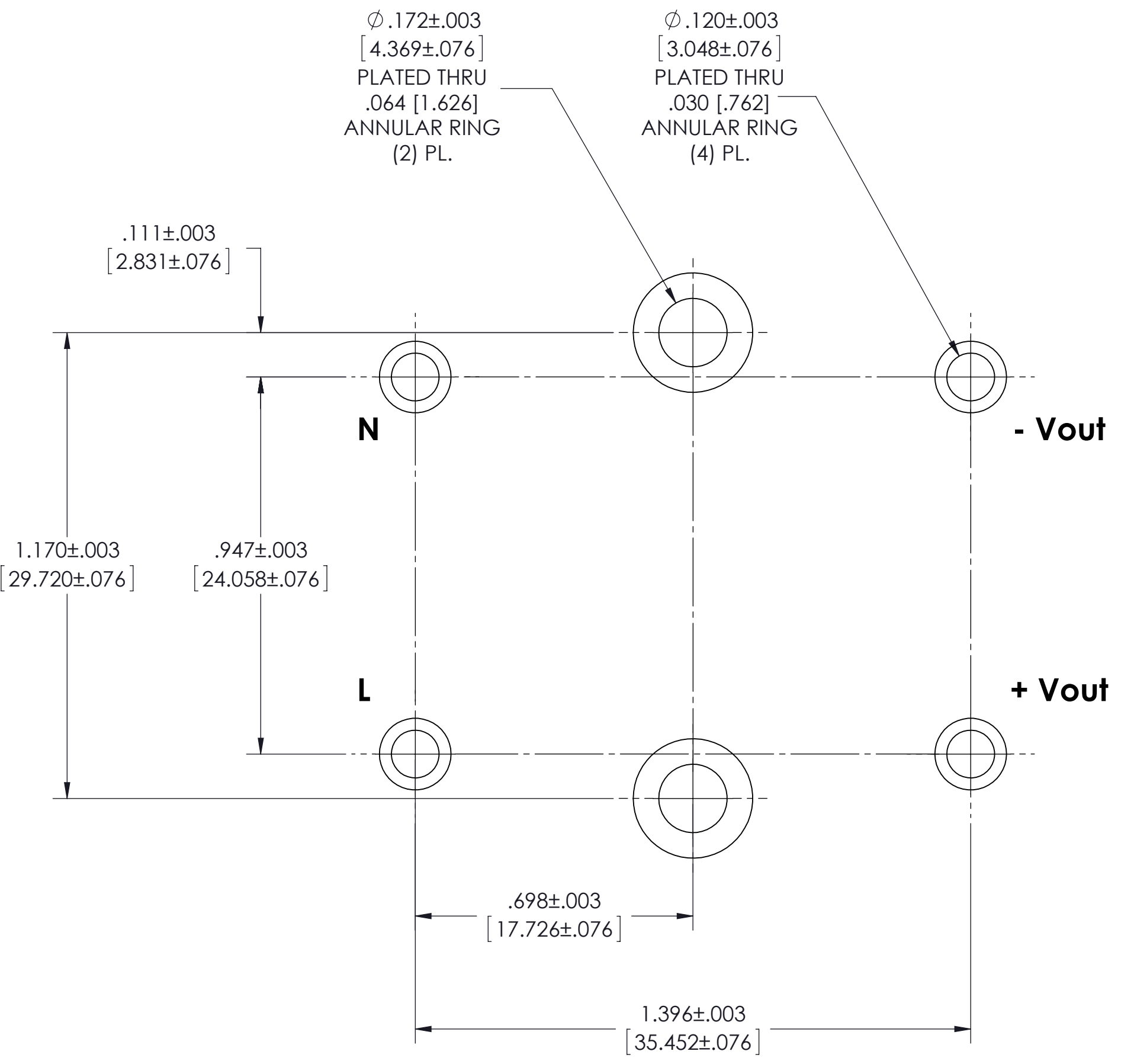
REV.	DESCRIPTION	INTL	DATE	APVD
1	RELEASE PER E160097	MTB	02/04/16	AM



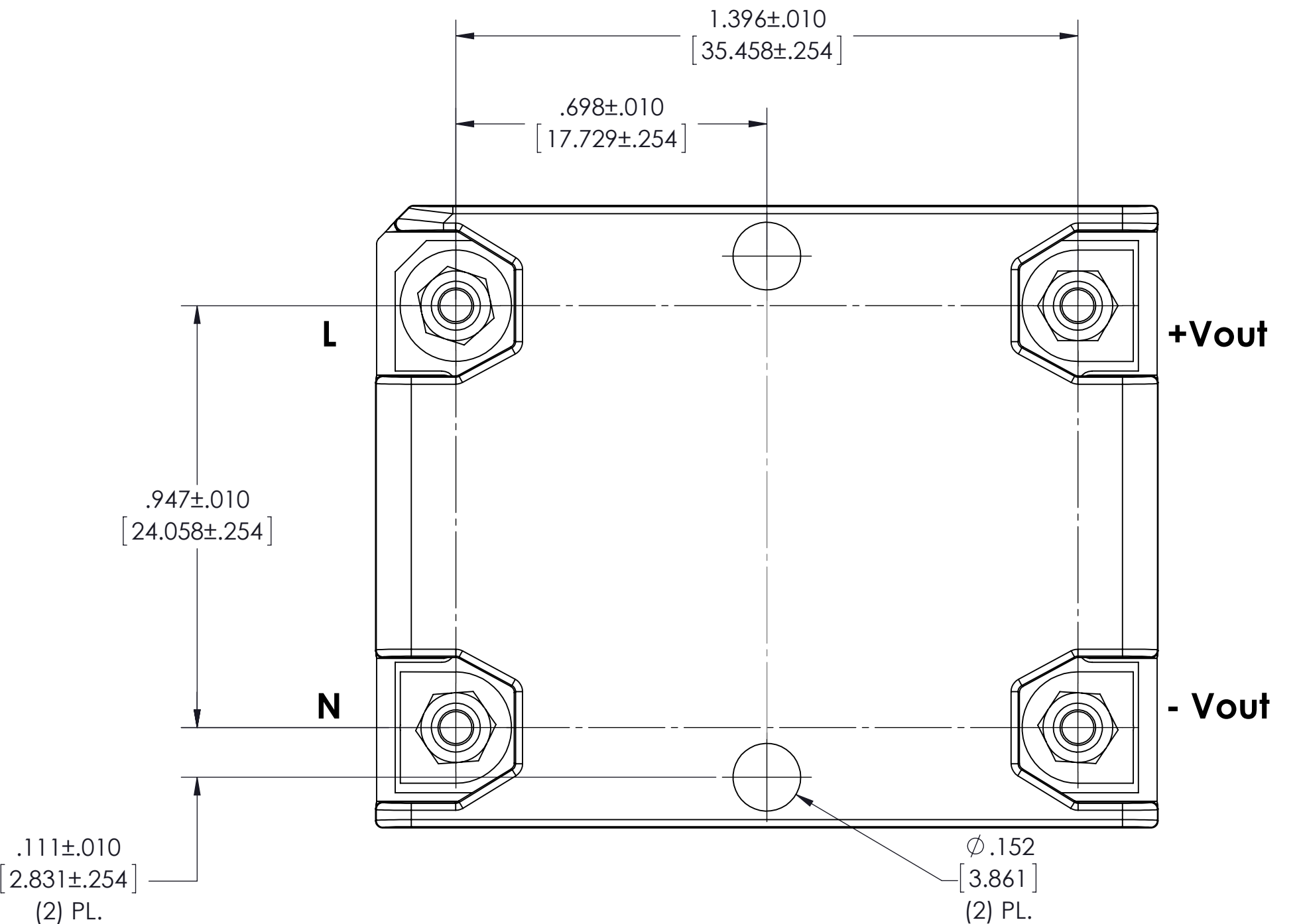
TOP VIEW
(COMPONENT SIDE)



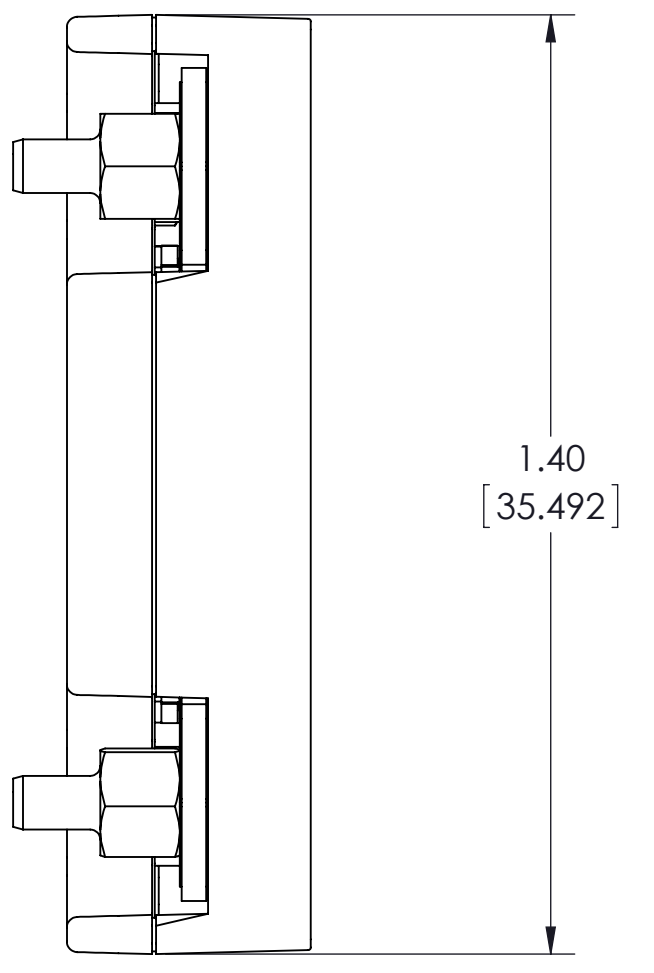
DIM 'L'	
SHORT	.12 [3.05]
LONG	.19 [4.83]



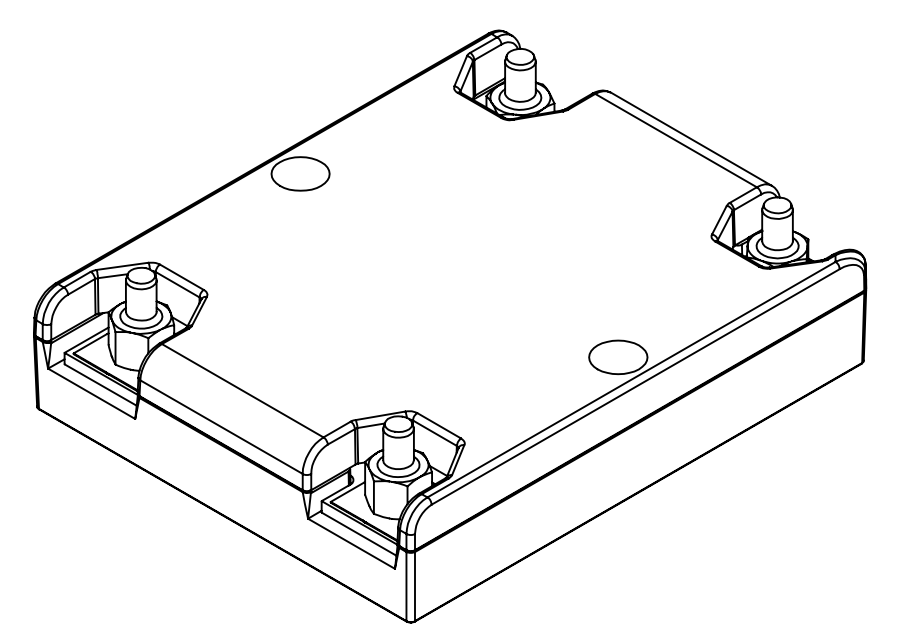
RECOMMENDED HOLE PATTERN
(COMPONENT SIDE)



BOTTOM VIEW



NOTES:
 1. RoHS COMPLIANT PER CST-0001 LATEST REVISION.



DRAWN BY Jackson Flynn	DATE 9/1/2015	VICOR		SWD
UNLESS OTHERWISE SPECIFIED DIMENSIONS ARE: INCH / (MM)		PROD OUTL PCB MNT VIA AIM		
TOLERANCES ARE: DECIMALS X.XX (X.XX) = +0.01 (0.25) X.XXX (X.XXX) = ±0.005 (0.127)	ANGLES °	SIZE D	CAGE CODE 67131	DWG NO 42969
THIRD ANGLE PROJECTION 	SCALE 3.5:1	REV 1	SHEET 1 OF 1	