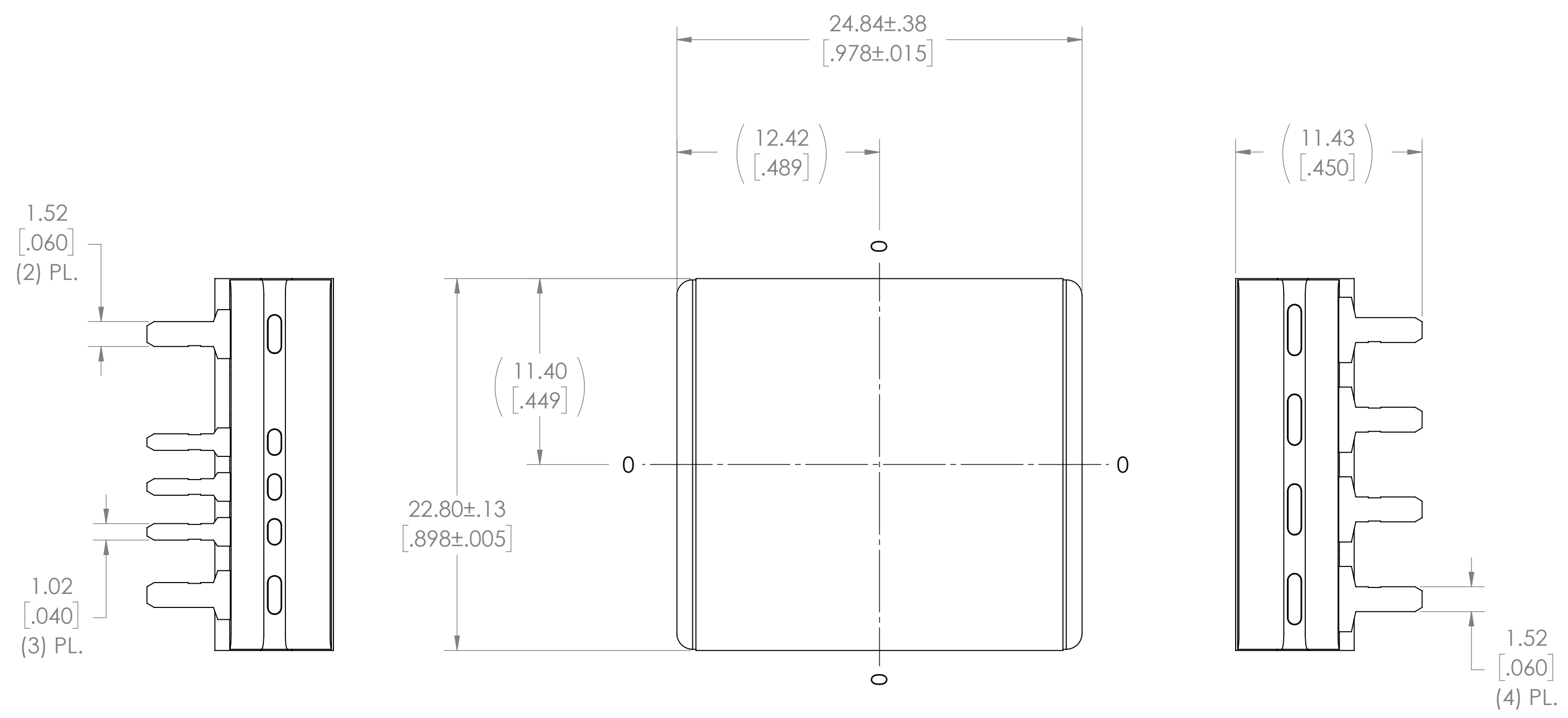
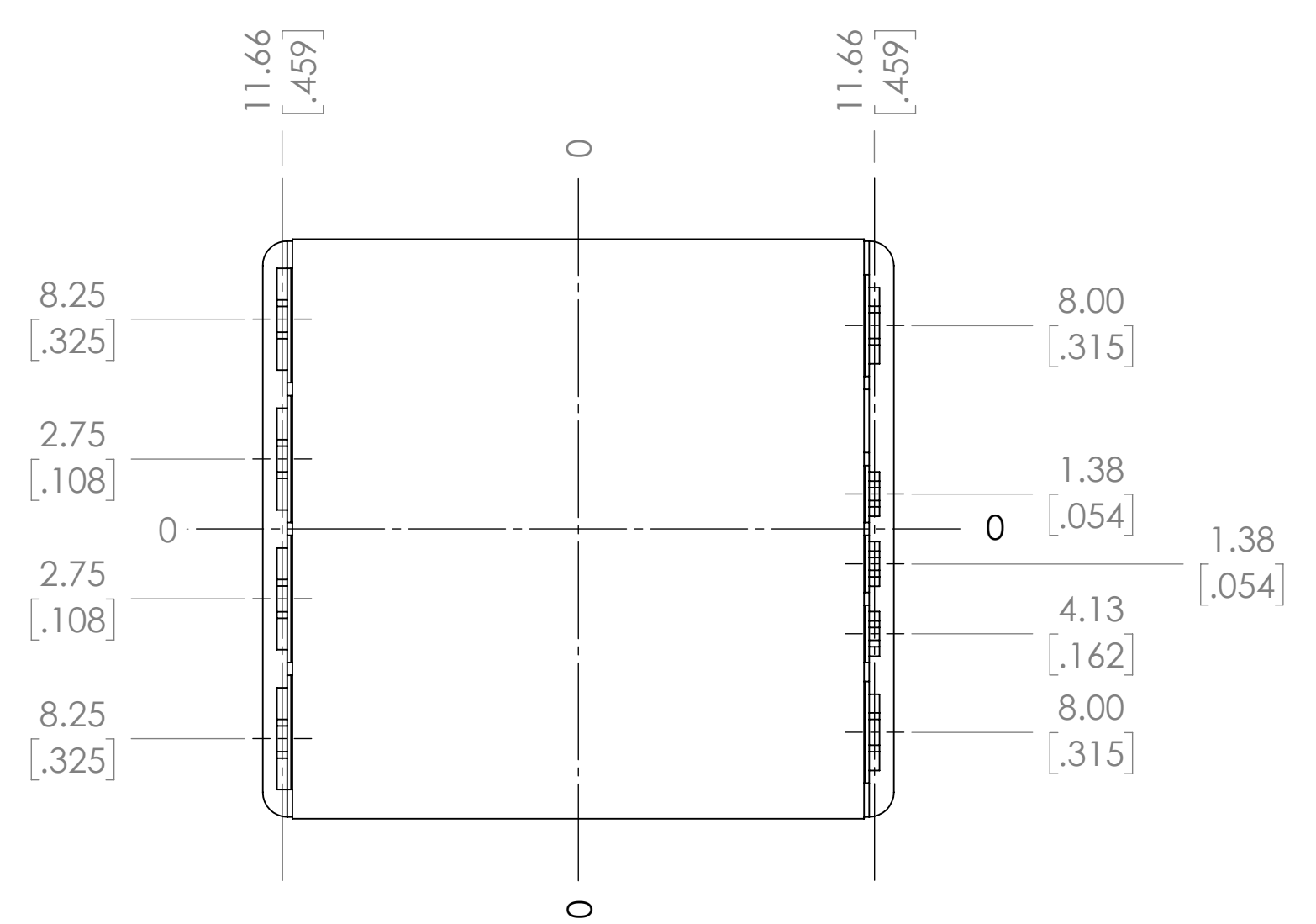


VICOR CONFIDENTIAL
 THIS DOCUMENT AND THE DATA DISCLOSED HEREIN OR
 HEREIN IS NOT TO BE REPRODUCED, USED OR
 DISCLOSED IN WHOLE OR IN PART TO ANYONE WITHOUT
 THE PERMISSION OF VICOR CORP.

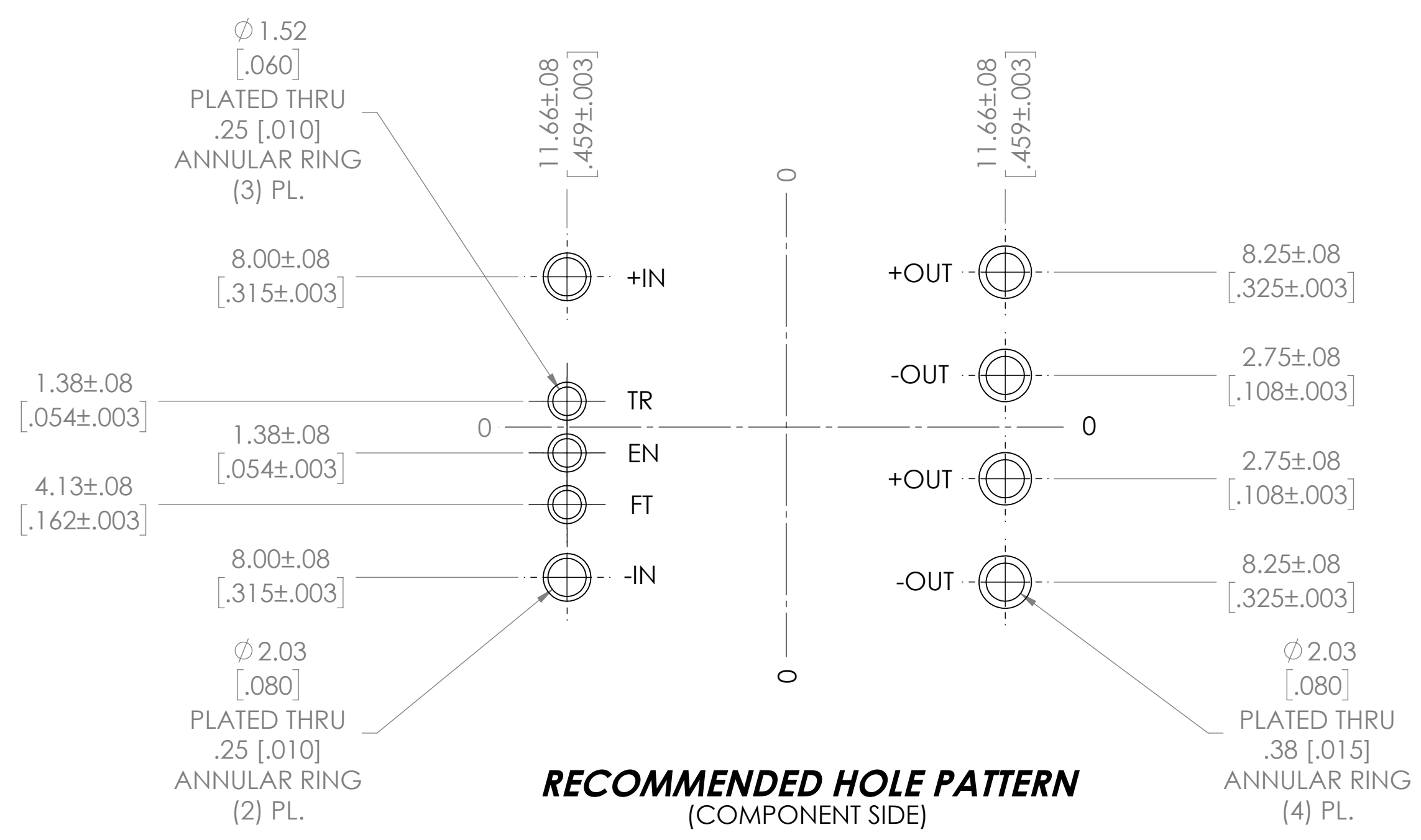
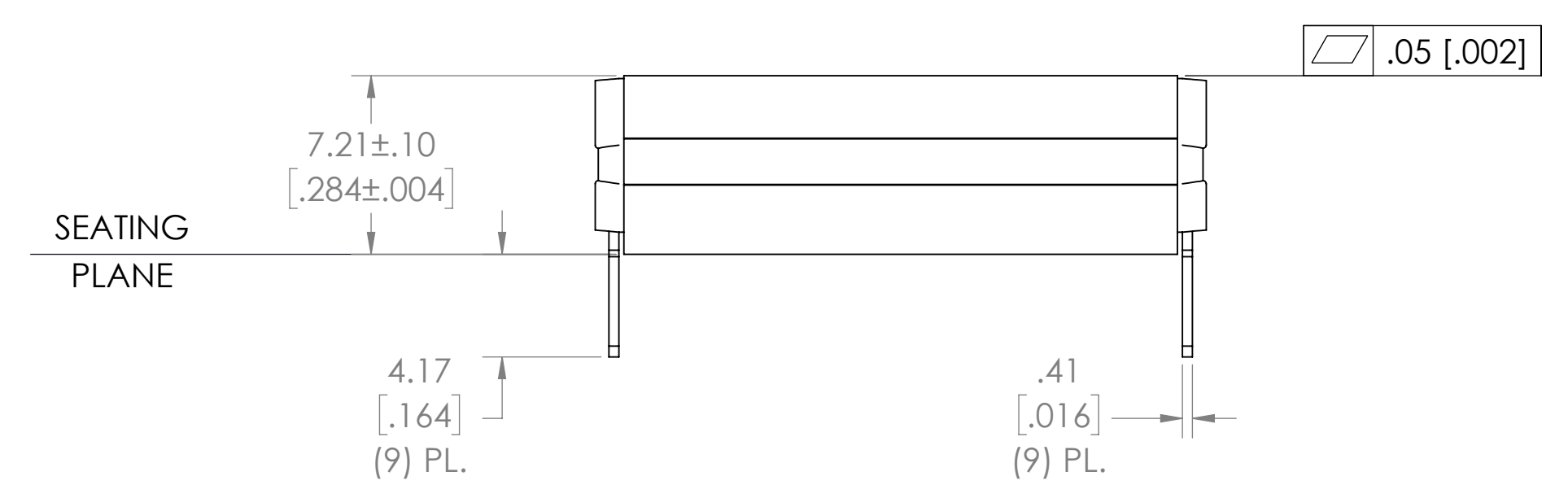
REV.	DESCRIPTION	INTL	DATE	APVD
1	RELEASED PER E150811	GCK	08/04/15	SE
2	REVISED PER E161035B	AP	10/26/16	BH
3	REVISED PER E180036	US	01/24/18	DHK
4	REVISED PER E180513	REJH	07/25/18	GCK
5	REVISED PER E190425	KS	08/22/19	RLT



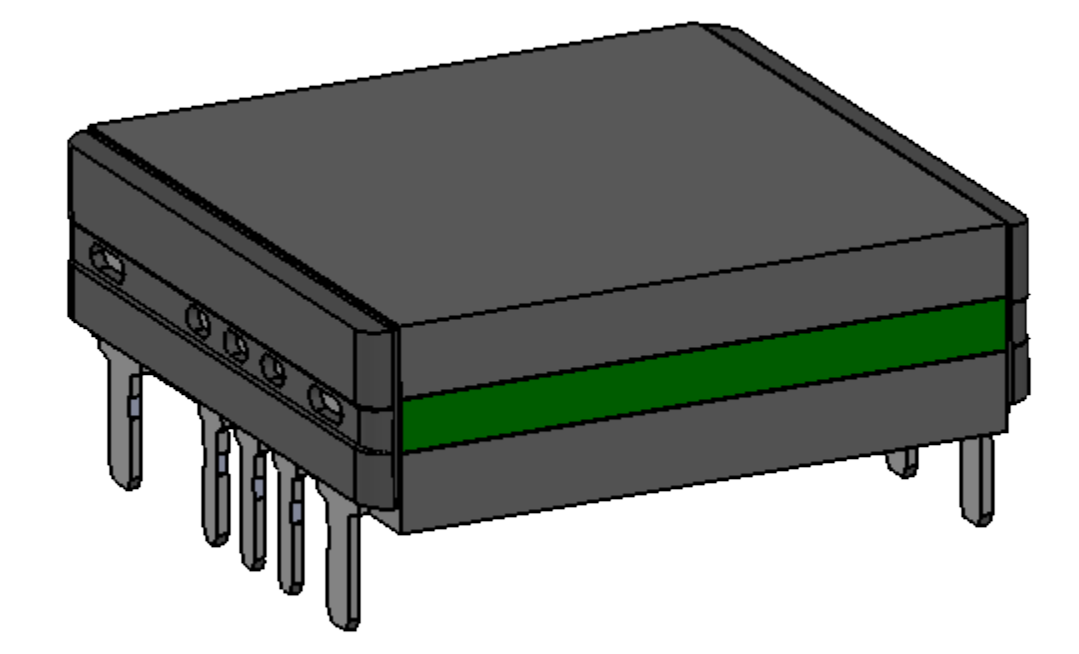
TOP VIEW (COMPONENT SIDE)



BOTTOM VIEW



RECOMMENDED HOLE PATTERN (COMPONENT SIDE)



NOTES:
 1- RoHS COMPLIANT PER CST-0001 LATEST REVISION.

DRAWN BY R.E.J. Hickey	DATE 9/16/2013	VICOR <small>SWD</small>	
UNLESS OTHERWISE SPECIFIED DIMENSIONS ARE MM (INCH)		PRODUCT OUTLINE 2322 THRU HOLE	
TOLERANCES ARE: DECIMALS ANGLES XXX (XX) = +0.25 (0.01) °1° X.XXX (X.XXX) = ±0.127 (0.005)		SIZE D	CAGE CODE 67131
THIRD ANGLE PROJECTION 		DWG NO 40292	REV 5
DO NOT SCALE DRAWING		SCALE 4:1	SHEET 1 OF 1