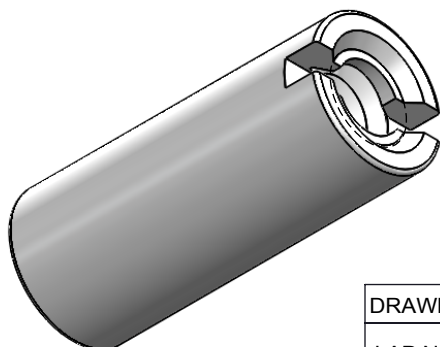
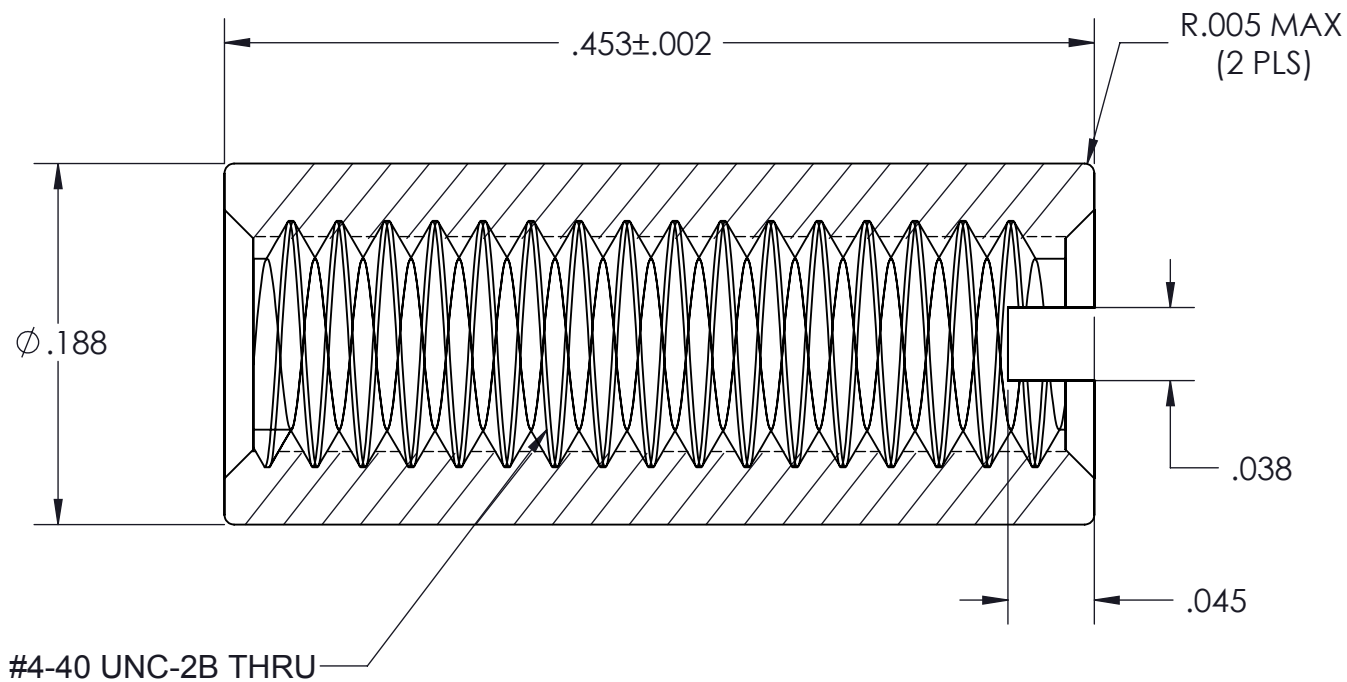


VICOR CONFIDENTIAL

THIS DOCUMENT AND THE DATA DISCLOSED HEREIN OR HEREWITH IS NOT TO BE REPRODUCED, USED OR DISCLOSED IN WHOLE OR IN PART TO ANYONE WITHOUT THE PERMISSION OF VICOR CORP.

REVISIONS

REV	DESCRIPTION	DATE	APPROVED
1	RELEASE PER E0030403	12/15/00	JMR
2	REVISED PER E100944	07/22/10	DCS

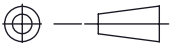


NOTES:

1. MATERIAL: 300 SERIES STAINLESS STEEL PER AISI.
2. FINISH: CLEAR PASSIVATE PER QQ-P-35B, TYPE II.
3. REMOVE ALL BURRS AND SHARP EDGES.
4. KIT P/N 20178
5. BAG P/N 20188
6. DIMENSIONS ARE INCHES ONLY.

DRAWN	DATE
LAP NGUYEN	1/99

 **VICOR** SWD

MATERIAL	UNLESS OTHERWISE SPECIFIED DIMENSIONS ARE INCH [MM] TOLERANCES ARE: DECIMALS ANGLES X.XX [X.X] = ±0.01 [0.25] ±1° X.XXX [X.XX] = ±0.005 [0.127]
FINISH	
THIRD ANGLE PROJECTION	
	
DO NOT SCALE DRAWING	

**STANDOFF, 0.453 LG
FEMALE-FEMALE**

SIZE	CAGE CODE	DWG NO	REV
A	67131	20170	2
SCALE 10 : 1		SHEET 1 OF 1	