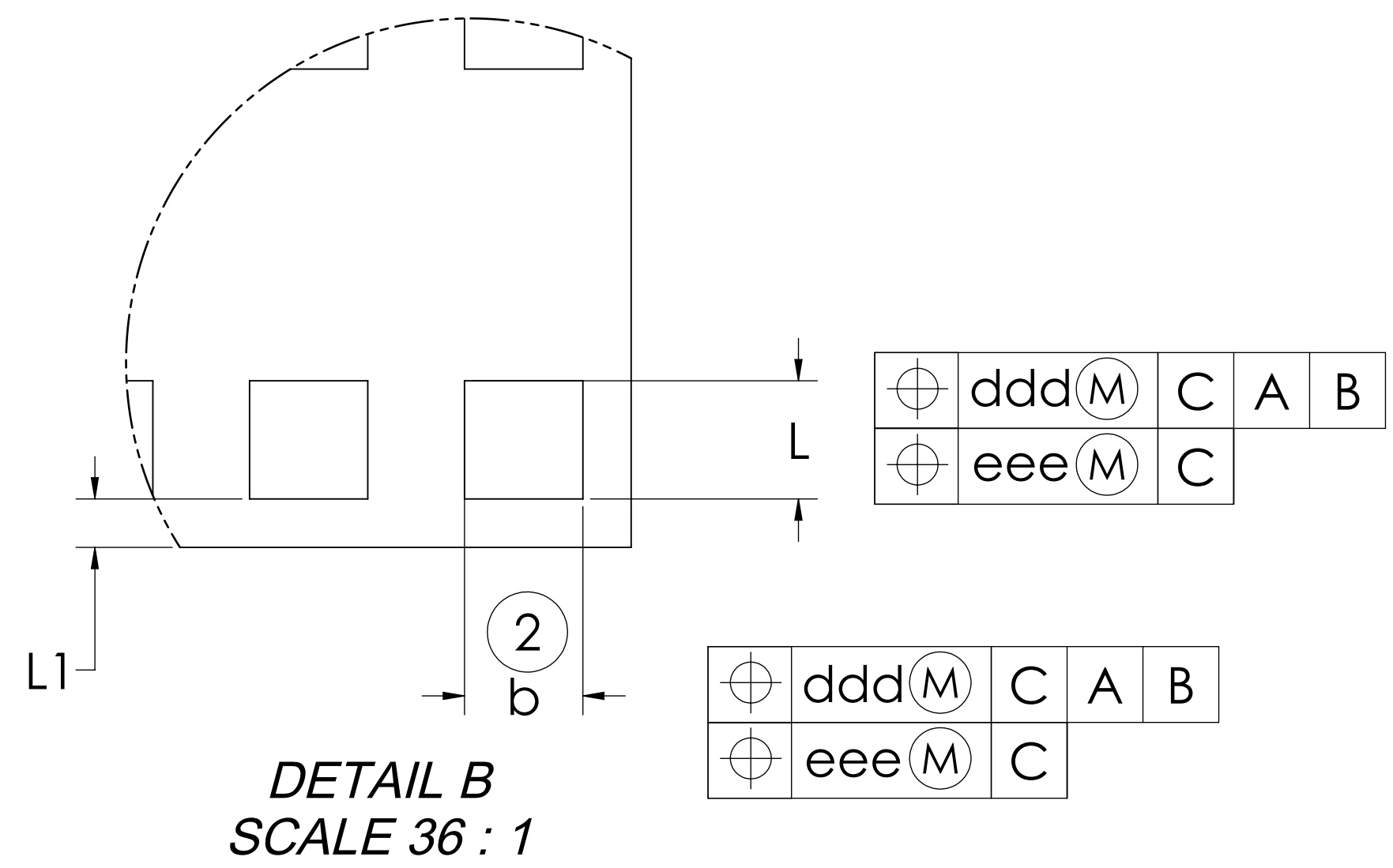
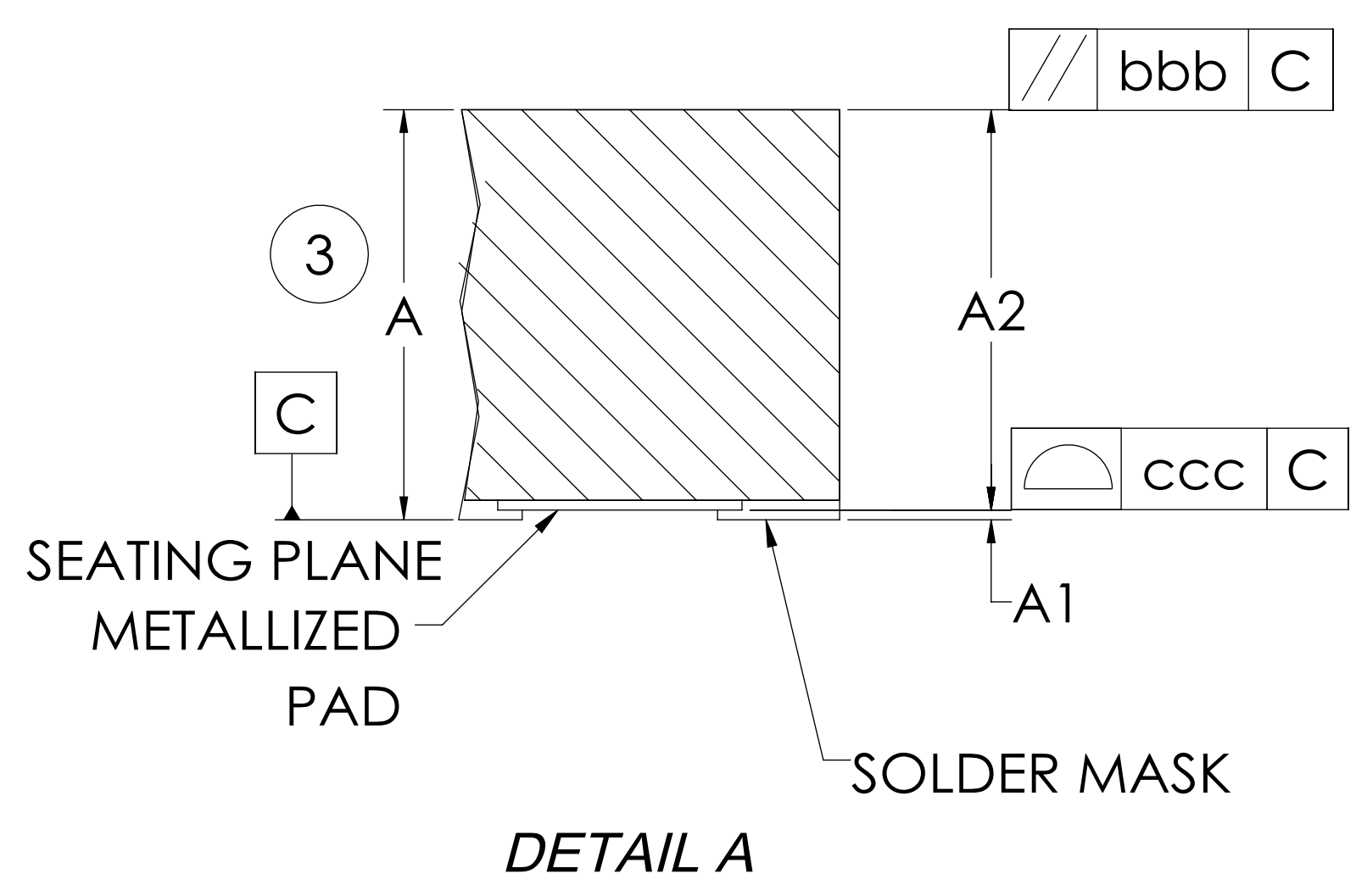
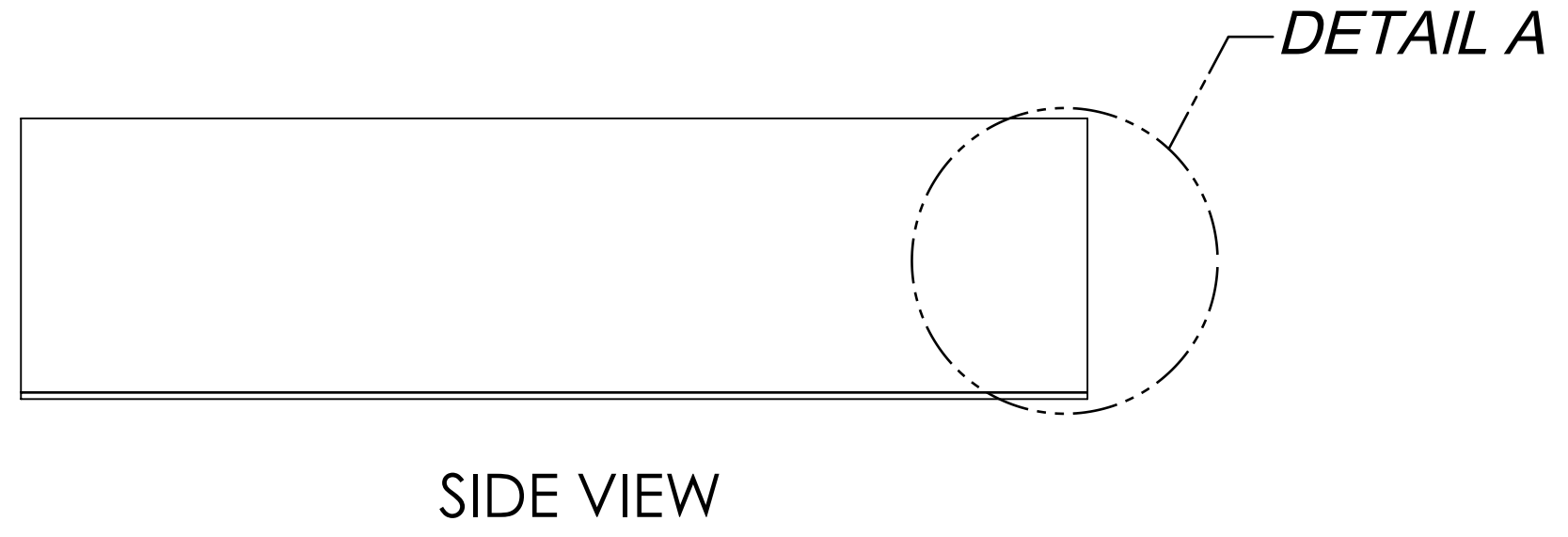
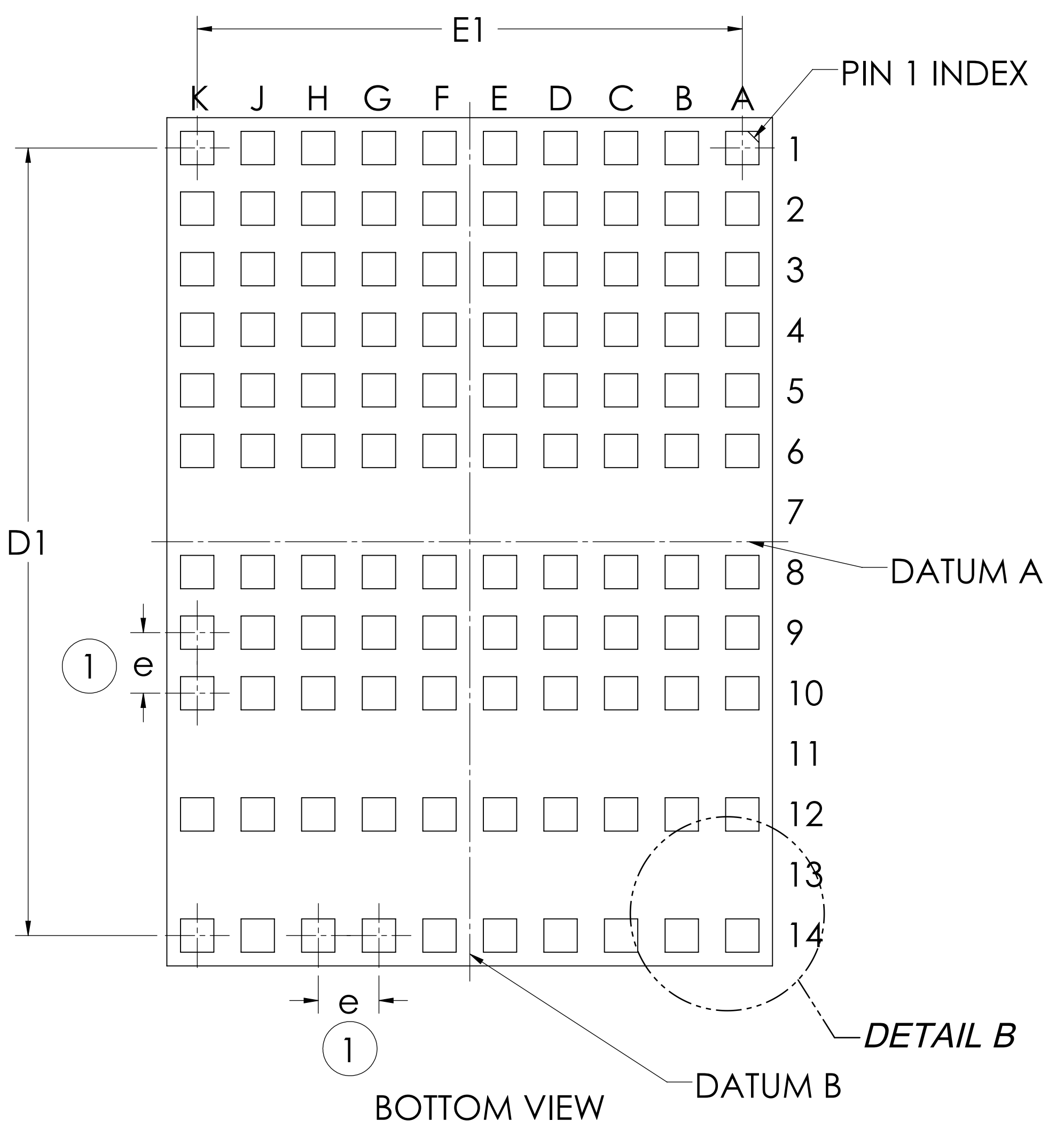
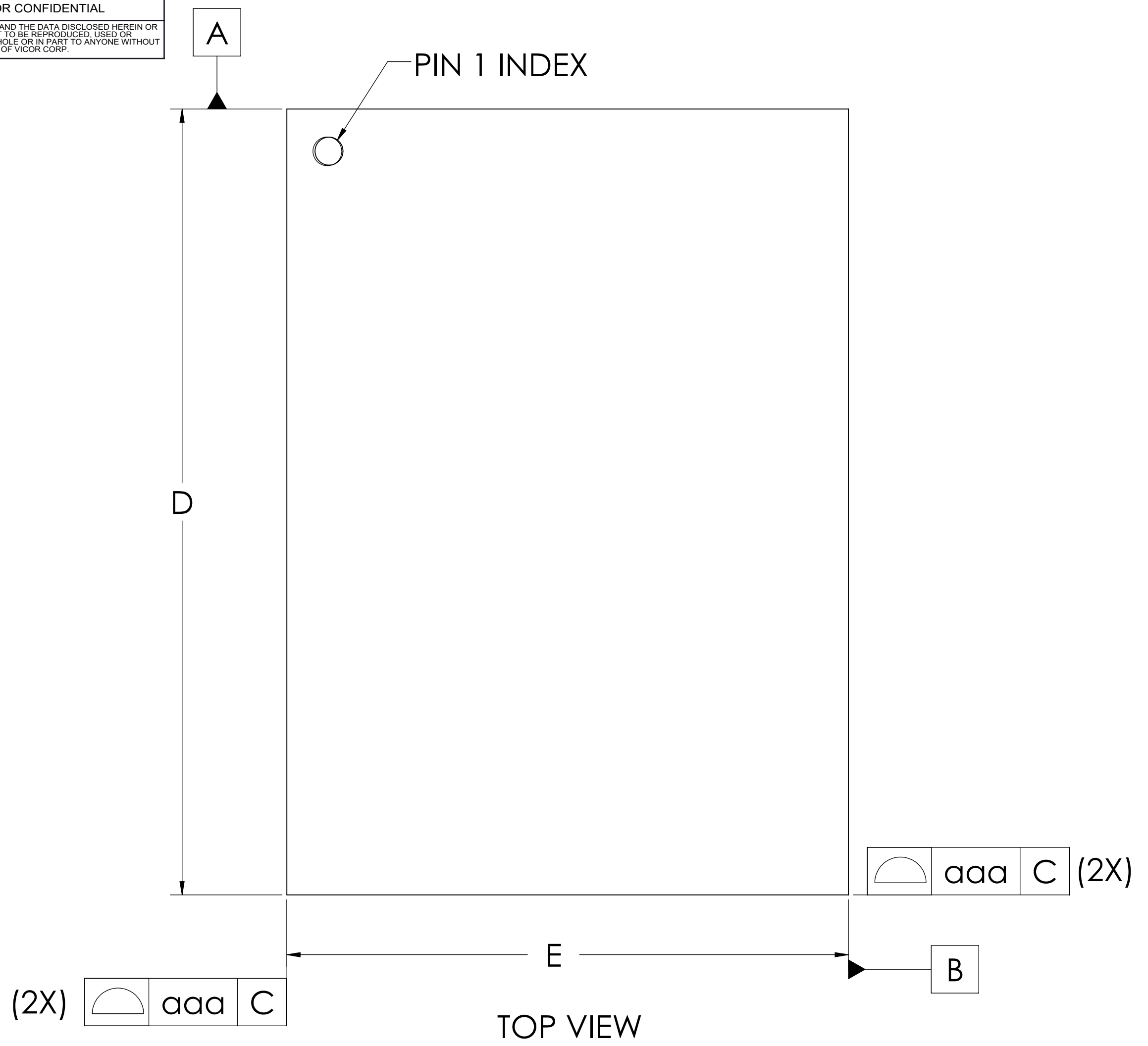


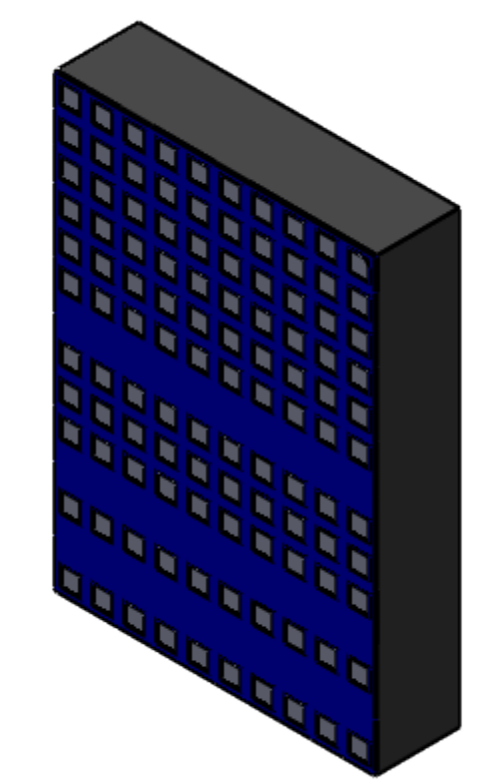
VICOR CONFIDENTIAL  
THIS DOCUMENT AND THE DATA DISCLOSED HEREIN OR HEREWITIN IS NOT TO BE REPRODUCED, USED OR DISCLOSED IN ANY MANNER FOR IN PART TO ANYONE WITHOUT THE PERMISSION OF VICOR CORP.

REV.	DESCRIPTION	INTL	DATE	APVD
#1	DRAWN FOR DEVELOPMENT	MTB	08/01/16	JA
#2	UPDATED FOR GARY KEAY	JM	08/23/17	GK
#3	UPDATED TO MATCH ORIGINAL OUTLINE DRAWING	JM	11/27/17	KD
#4	UPDATED TITLE BLOCK	JM	11/30/17	JF
#5	REMOVE PI332x & PI352X ON SHEET 2 & 3	JF	12/14/17	GCK
#6	UPDATE SIGNAL NAMES SHT3 E3-F6	REW	05/29/24	JC



BB 10x14mm SiP DIMENSIONAL REFERENCES			
REF	MIN.	NOM.	MAX.
A	2.49	2.56	2.63
A1	--	--	0.04
A2	--	--	2.59
b	0.50	0.55	0.60
L	0.50	0.55	0.60
D	14.00 BSC		
E	10.00 BSC		
D1	13.00 BSC		
E1	9.00 BSC		
e	1.00 BSC		
L1	.175	0.225	.275

BB 10x14mm SiP DIMENSIONAL REFERENCES	
REF.	TOLERANCE OF FORM AND POSITION
aaa	0.10
bbb	0.10
ccc	0.08
ddd	0.10
eee	0.08

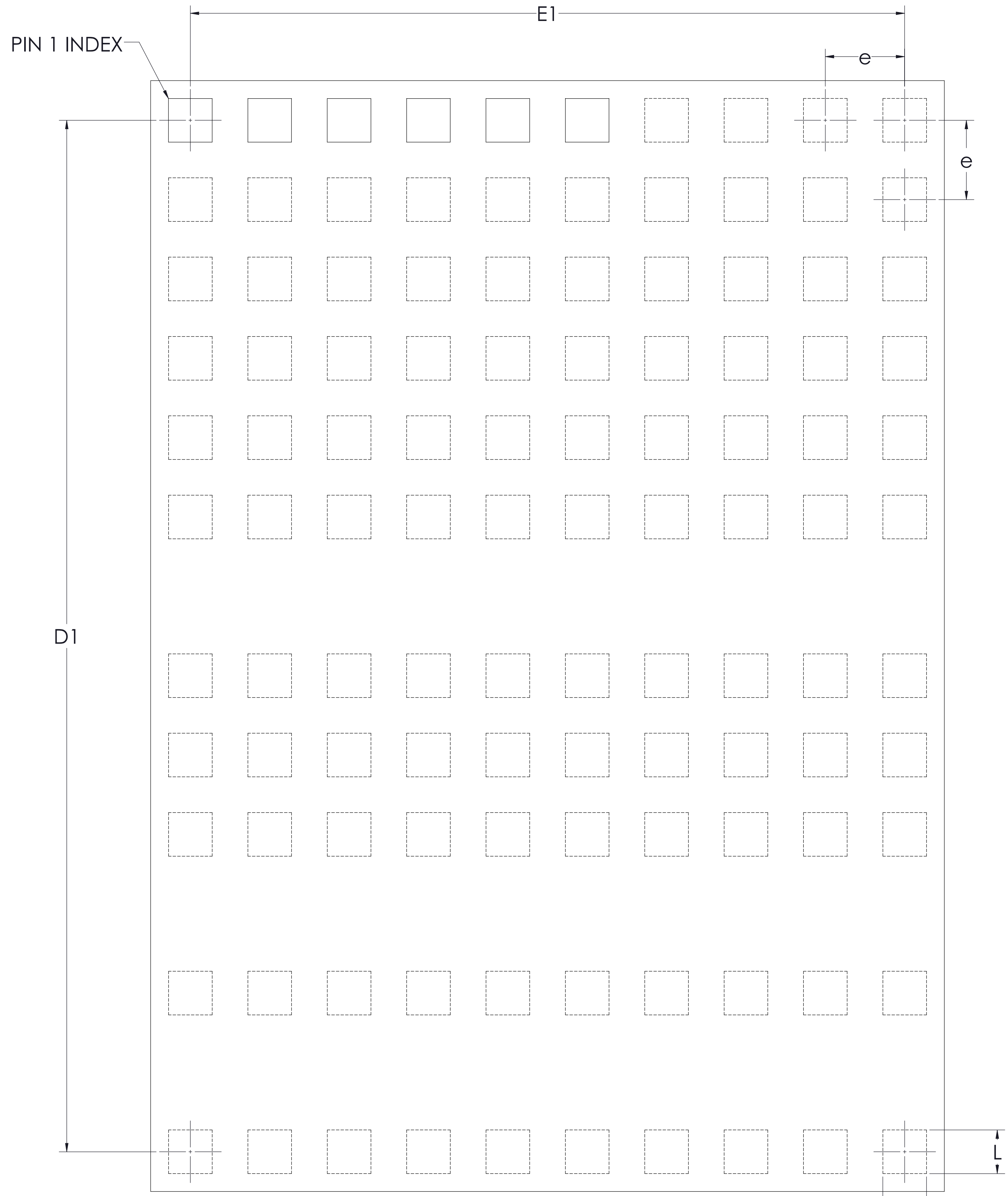


- NOTES:
- 'e' REPRESENTS THE BASIC TERMINAL PITCH. SPECIFIES THE GEOMETRIC POSITION OF THE TERMINAL AXIS.
  - DIMENSION 'b' APPLIES TO METALLIZED TERMINAL AND IS MEASURED BETWEEN 0.00mm AND 0.25mm FROM TERMINAL TIP.
  - DIMENSION 'A' INCLUDES PACKAGE WARPAGE.
  - EXPOSED METALLIZED PADS ARE CU PADS WITH SURFACE FINISH PROTECTION.
  - ALL DIMENSIONS ARE IN MM UNLESS OTHERWISE SPECIFIED.
  - RoHS COMPLIANT PER CST-0001 LATEST REVISION.

DRAWN BY Jackson Flynn	DATE 12/2/2015	<b>VICOR</b> <small>swd</small>	
UNLESS OTHERWISE SPECIFIED DIMENSIONS ARE MM (INCH)		<b>PI352x &amp; PI332x ZVS BUCK</b>	
TOLERANCES ARE: DECIMALS: X.XX [X.XXX] = ±0.25 [0.01] ±1° X.XXX [X.XXX] = ±0.127 [0.005]		SIZE <b>D</b>	CAGE CODE <b>67131</b>
THIRD ANGLE PROJECTION 		DWG NO <b>43208</b>	REV <b>#6</b>
DO NOT SCALE DRAWING		SCALE 15:1	SHEET 1 OF 3


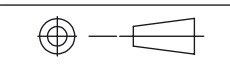
VICOR CONFIDENTIAL  
 THIS DOCUMENT AND THE DATA DISCLOSED HEREIN OR  
 HEREWITH IS NOT TO BE REPRODUCED, USED OR  
 DISCLOSED IN WHOLE OR IN PART TO ANYONE WITHOUT  
 THE PERMISSION OF VICOR CORP.

REVISIONS			
REV	DESCRIPTION	DATE	APPROVED
	SEE SHEET 1		

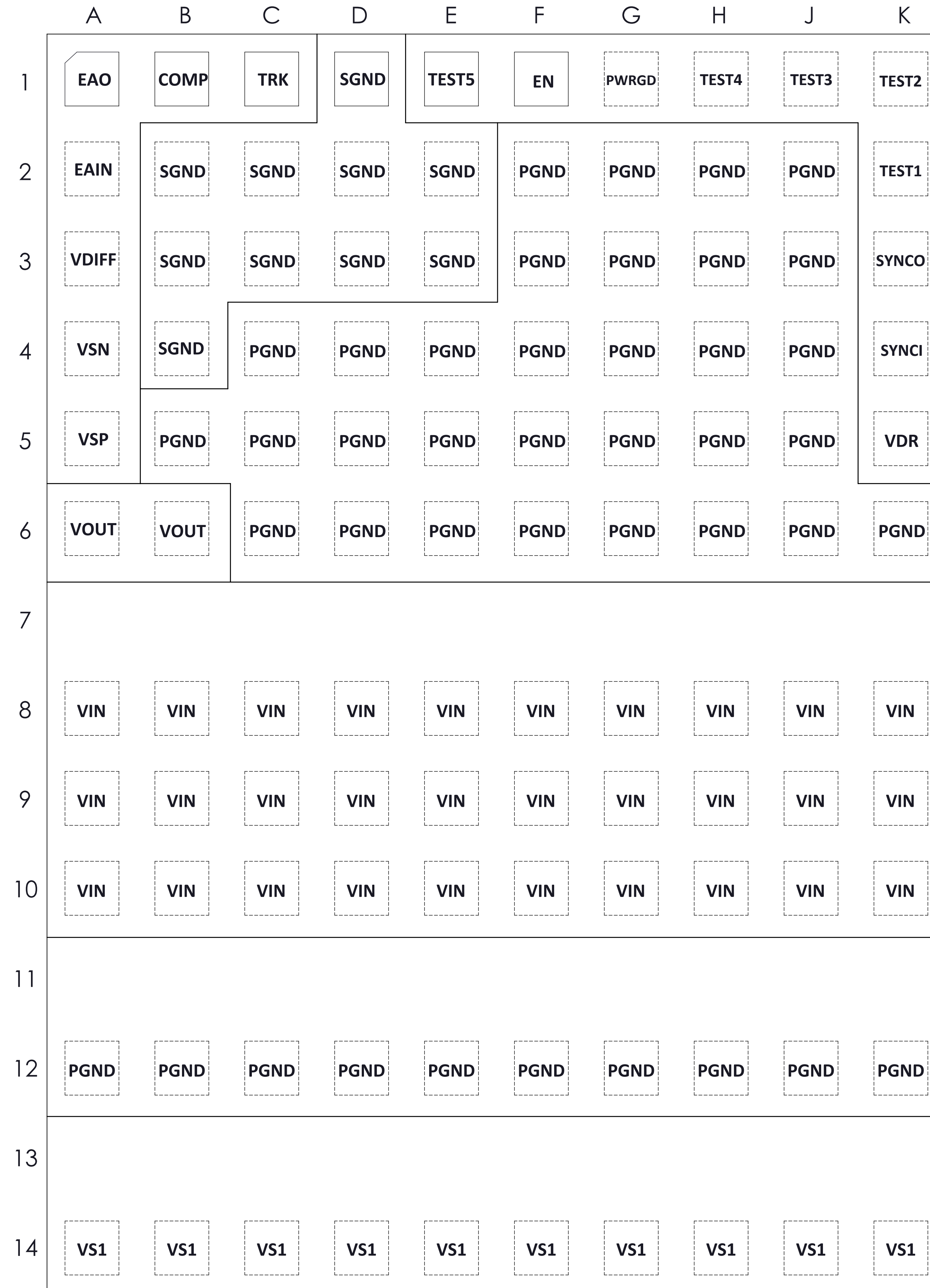


DIMENSIONAL REFERENCES			
REF.	MIN.	NOM.	MAX.
b	0.50	0.55	0.60
D1	13.00 BSC		
E1	9.00 BSC		
e	1.00 BSC		
L	0.50	0.55	0.60

PCB LAND PATTERN

DRAWN BY Jackson Flynn	DATE 12/2/2015	 <b>VICOR</b> <small>swd</small>	
<small>UNLESS OTHERWISE SPECIFIED DIMENSIONS ARE MM (INCH)</small>		<b>PI352x &amp; PI332x ZVS BUCK</b>	
<small>TOLERANCES ARE: DECIMALS ANGLES X.XX (X.XX) = +0.25 (0.01) ±1° X.XXX (X.XXX) = ±0.127 (0.005)</small>		SIZE <b>D</b>	CAGE CODE <b>67131</b>
THIRD ANGLE PROJECTION 		DWG NO <b>43208</b>	REV <b>#6</b>
SCALE 12:1		SHEET 2 OF 3	

REVISIONS			
REV	DESCRIPTION	DATE	APPROVED
	SEE SHEET 1		



LARGE PIN BLOCKS

PIN BLOCK NAME	GROUP OF PINS
VS1	14A-K
PGND	12A-K
VIN	8A-K, 9A-K, 10A-K
PGND	2F-J, 3F-J, 4C-J, 5B-J, 6C-K
SGND	1D, 2B-E, 3B-E, 4B

TOP THROUGH VIEW OF PRODUCT

DRAWN BY Jackson Flynn	DATE 12/2/2015	<b>VICOR</b> <small>SWD</small>	
<small>UNLESS OTHERWISE SPECIFIED DIMENSIONS ARE MM (INCH)</small>		<b>PI352x &amp; PI332x ZVS BUCK</b>	
<small>TOLERANCES ARE: DECIMALS            ANGLES X.XX (X.XX) = +0.25 (0.01) ±1° X.XXX (X.XXX) = ±0.127 (0.005)</small>		SIZE <b>D</b>	CAGE CODE <b>67131</b>
<small>THIRD ANGLE PROJECTION</small>		DWG NO <b>43208</b>	REV <b>#6</b>
<small>DO NOT SCALE DRAWING</small>		SCALE 33:1	SHEET 3 OF 3