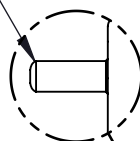
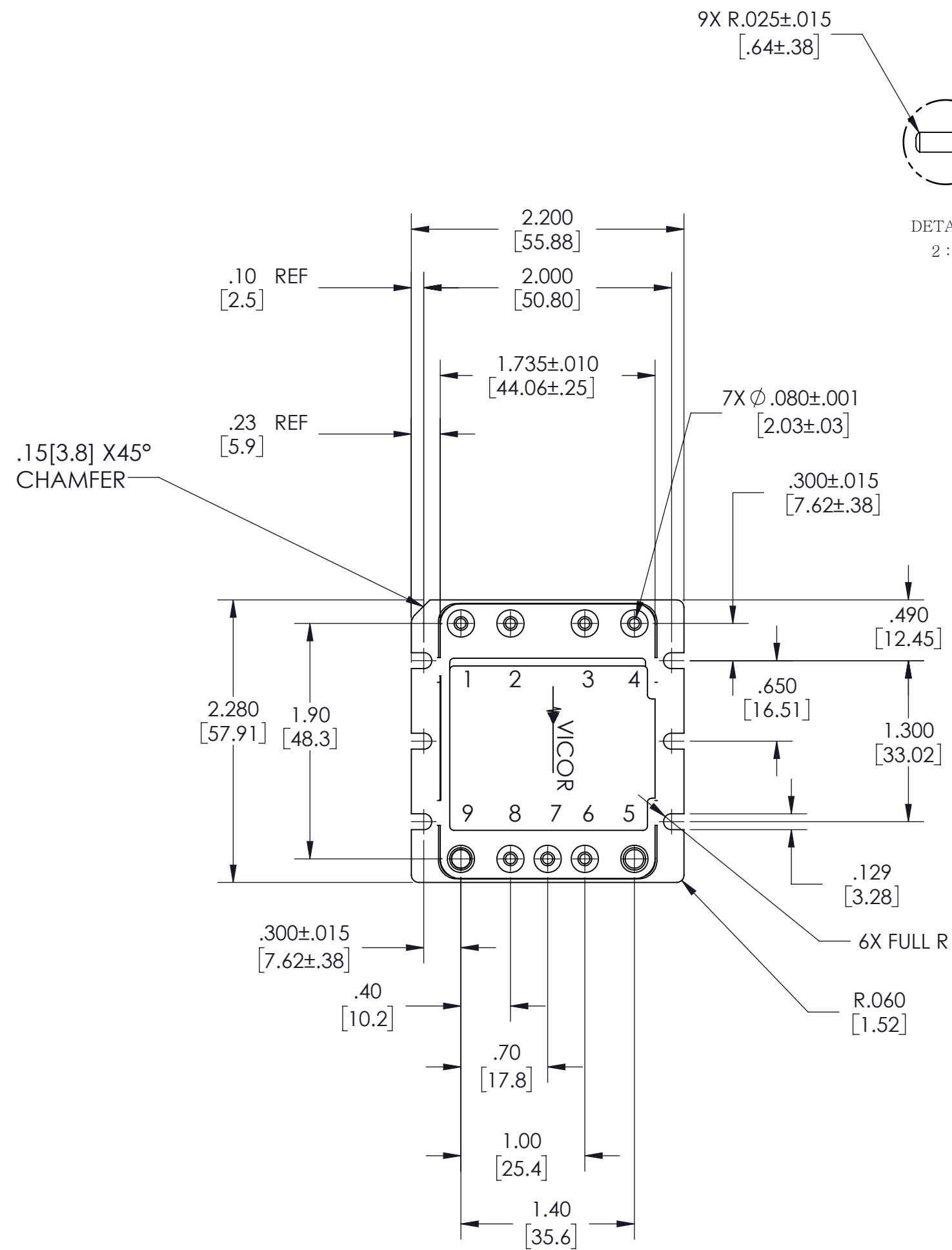


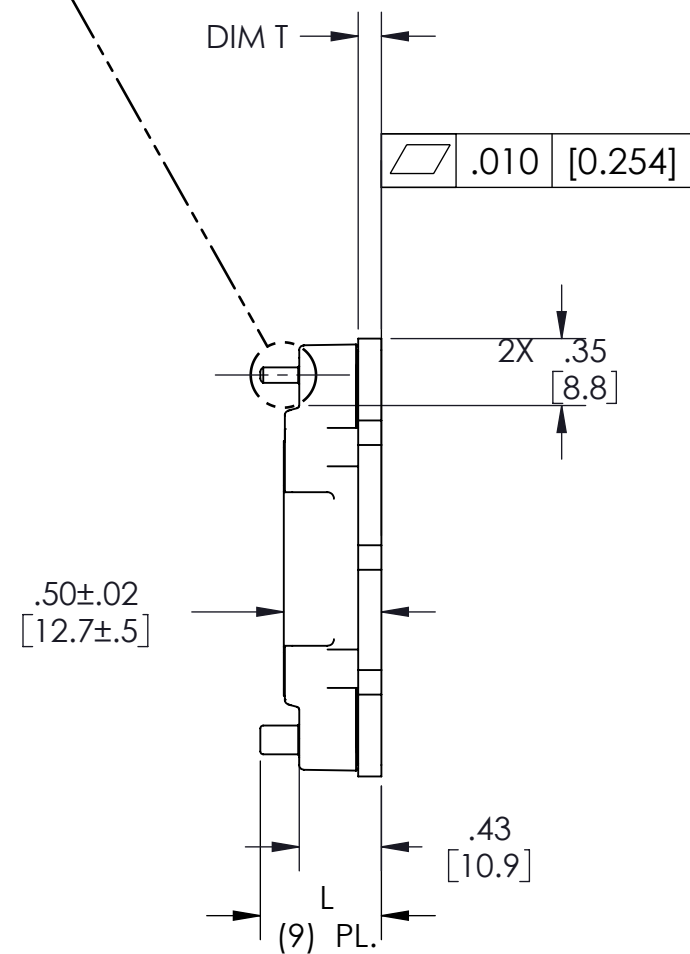
THIS DOCUMENT AND THE DATA DISCLOSED HEREIN OR HEREWITH IS NOT TO BE REPRODUCED, USED OR DISCLOSED IN WHOLE OR IN PART TO ANYONE WITHOUT THE PERMISSION OF VICOR CORP.

REV.	DESCRIPTION	INTL	DATE	APVD
1	RELEASE PER E110024a	AR	01/11/11	KUK
2	REVISED PER E190189	AY	03/25/19	RLT
3	REVISED PER E190280	CL	05/15/19	RLT



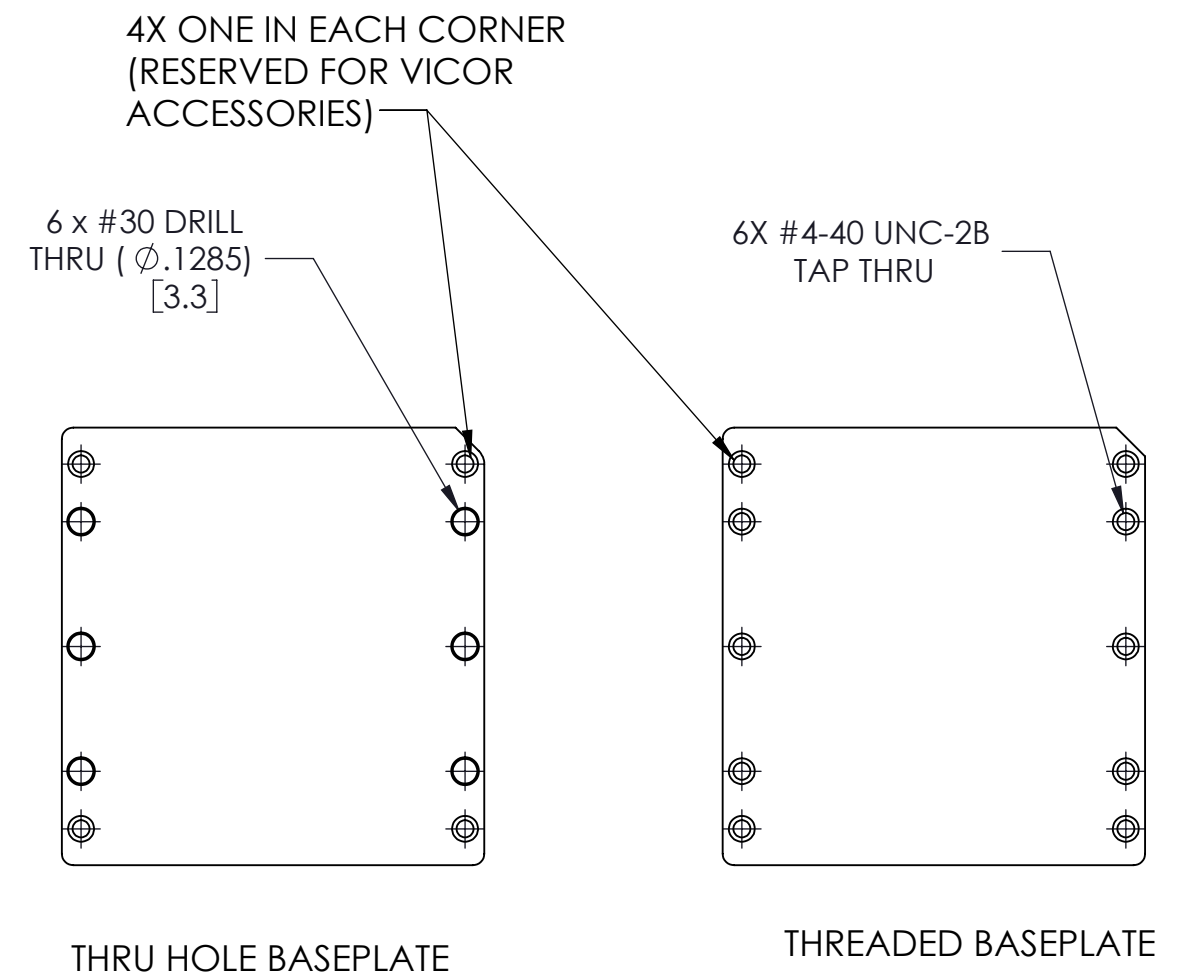
DETAIL 1  
2:1

DIMENSION T  
SLOTTED.....0.12[3.1]  
THRU & THREADED...0.20[5.1]

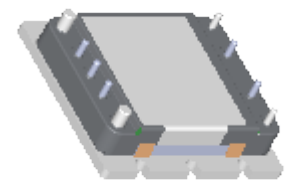


DIMENSION L  
PIN SHORT...0.55±.015 [14.0±.38]  
PIN LONG....0.63±.015 [16.0±.38]  
PIN EXTRA LONG....0.71±.015[18.0±.38]

SLOTTED BASEPLATE  
DIMENSIONS FOR ALL MODULE TYPES  
ARE SHOWN ABOVE; VERSIONS AT RIGHT  
SHOW DIMENSIONS THAT VARY.



NOTES:  
1. MATERIAL:  
BASE: 6000 SERIES ALUMINUM  
PIN PLATING: NICKEL BARRIER FOLLOWED BY (RoHS PINS) GOLD PLATE (30 MICRO INCH MIN); OR PALLADIUM (35 UIN MIN), FOLLOWED BY 3 TO 5 UIN GOLD. (NON-RoHS PINS) TIN/LEAD 90/10 BRIGHT



DRAWN BY Chen-Wei Liu	DATE 5/15/2019	<b>VICOR</b> SWD			
UNLESS OTHERWISE SPECIFIED DIMENSIONS ARE : INCH / (MM)		<b>OUTLN DWG FAST TRACK MN PLASTIC</b>			
TOLERANCES ARE: DECIMALS                      ANGLES X.XX [X.X] = ±0.01 [0.25]                      ±1° X.XXX [X.XXX] = ±0.005 [0.127]		SIZE <b>C</b>	CAGE CODE <b>67131</b>	DWG NO <b>37206</b>	REV <b>3</b>
THIRD ANGLE PROJECTION DO NOT SCALE DRAWING		SCALE 1:1	SHEET 1 OF 1		