

8

7

6

5

4

3

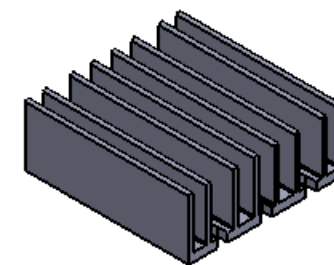
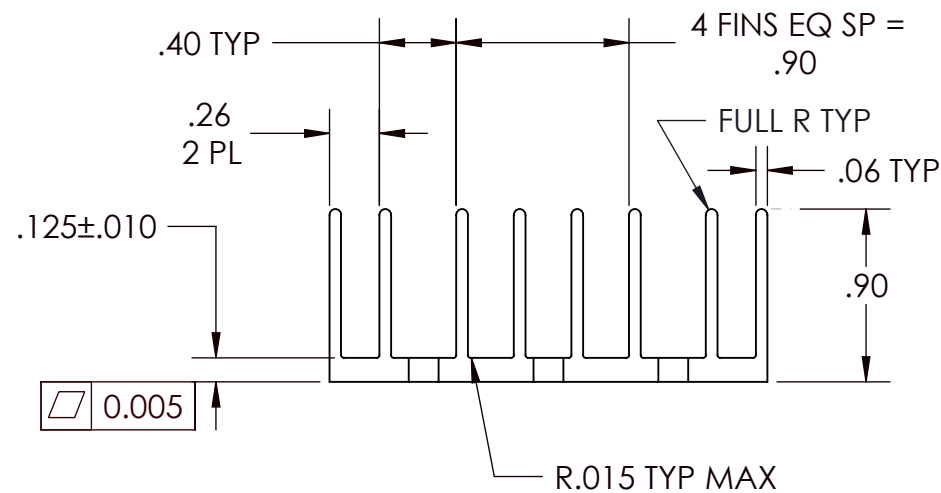
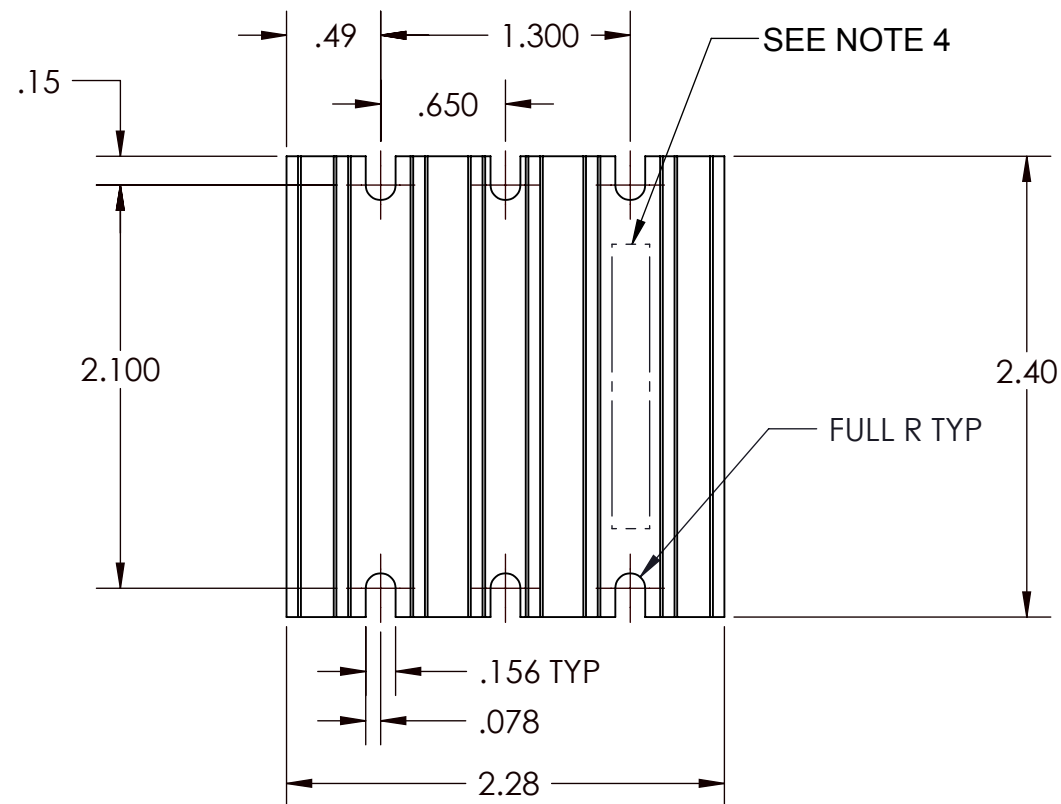
2

1

VICOR CONFIDENTIAL


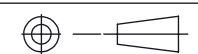
THIS DOCUMENT AND THE DATA DISCLOSED HEREIN OR HEREWITH IS NOT TO BE REPRODUCED, USED OR DISCLOSED IN WHOLE OR IN PART TO ANYONE WITHOUT THE PERMISSION OF VICOR CORP.

REV.	DESCRIPTION	DATE	APPROVED
1	RELEASED PER E050349 PEI	11/15/05	ECF
2	REVISED PER E100872 KUK	06/30/10	DCS
3	REVISED PER E120467 GCK	5/22/12	TO
4	REVISED PER E180447 REJH	06/19/18	RLT



NOTES:

1. MATERIAL: ALUMINUM 6063-T5.
2. CLEAR FINISH, RoHS COMPLIANT PER CST-0001, LATEST REVISION PER
A.) CHROMIUM FREE, OR
B.) TRIVALENT CHROMIUM IN ACCORDANCE WITH MIL-DTL-5541, TYPE II CLASS 1A OR 3. SEE CST-0003 FOR TYPES OF AVAILABLE FINISHES.
3. REMOVE ALL LOOSE BURRS.
4. MECHANICALLY STAMP OR WHITE EPOXY INK IS ACCEPTABLE TO PLACE PART NUMBER IN AREA SHOWN.
5. DIMENSIONS ARE INCHES ONLY.

DRAWN BY	DATE	 VICOR		SWD	
P. E. IENI		HS XF 22.8MM MINI MOD			
UNLESS OTHERWISE SPECIFIED DIMENSIONS ARE : INCH / [MM]		TOLERANCES ARE: DECIMALS ANGLES X.XX [X.X] = ±0.01 [0.25] ±1° X.XXX [X.XX] = ±0.005 [0.127]			
THIRD ANGLE PROJECTION 		SIZE	CAGE CODE	DWG NO	REV
DO NOT SCALE DRAWING		B	67131	30771	4
		SCALE 1:1	SHEET 1 OF 1		

8

7

6

5

4

3

2

1