

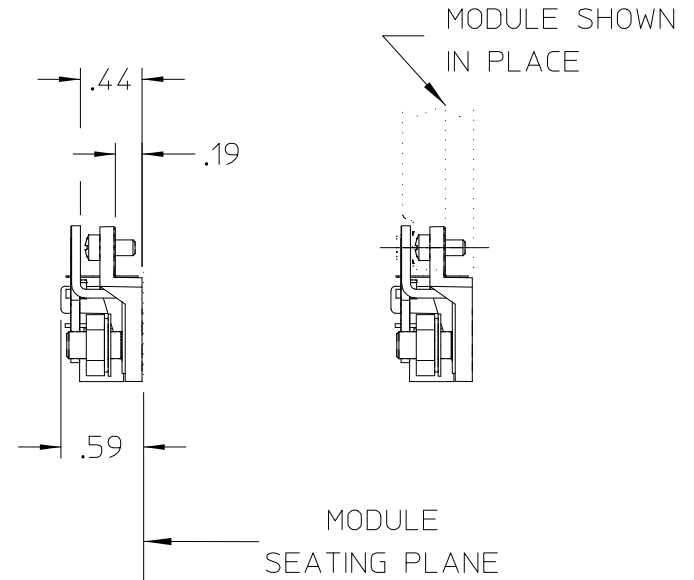
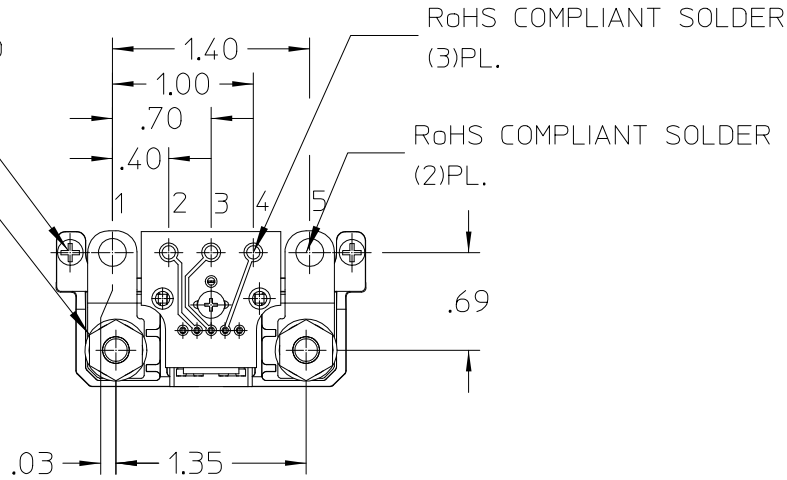
VICOR CONFIDENTIAL

THIS DOCUMENT AND THE DATA DISCLOSED HEREIN OR HEREWITH IS NOT TO BE REPRODUCED, USED, OR DISCLOSED IN WHOLE OR IN PART TO ANYONE WITHOUT PERMISSION OF VICOR CORP.

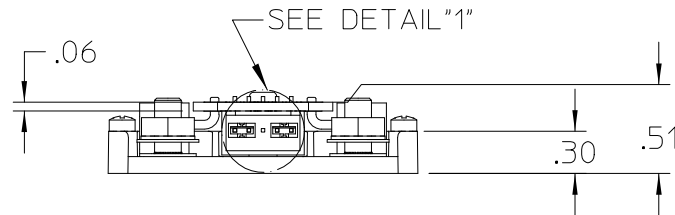
REV.	DESCRIPTION	DATE	APPROVED
1	RELEASED PER E0430434	09/20/04	FN
2	MADE CHANGES PER E071611	08/01/07	AR

4 FILLISTER HEAD TORQUED TO 6 IN/LBS (2)PL.

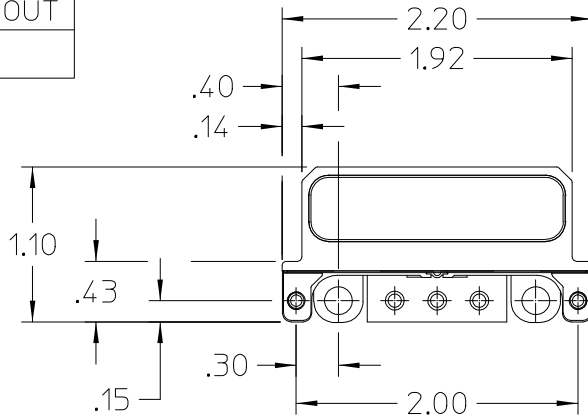
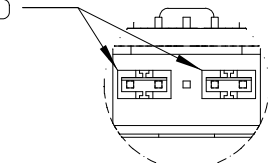
#10 HEX NUT TORQUED TO 16 IN/LBS. (2)PL.



PIN #	FUNCTION
1	+OUT
2	+SENSE OUT
3	TRIM
4	-SENSE OUT
5	-OUT



REMOVABLE JUMPERS TIE PINS 1 & 2 AND 4 & 5 TOGETHER



NOTE:

1. RoHS COMPLIANT, LEAD FREE PER CST-0001 LATEST REVISION.

DRAWN BY <i>D.CVINAR</i>		DATE <i>12/10/01</i>			
UNLESS OTHERWISE SPECIFIED DIMENSIONS ARE IN INCHES - TOLERANCES ARE: FRACTIONS DECIMALS ANGLES ±1/64 .XX = ±.02 ±1° .XXX = ±.010					
THIRD ANGLE PROJECTION 		SIZE B	FSCM NO. 67131	DWG NO 24676	REV 2
DO NOT SCALE DRAWING		SCALE 1:1	SHEET 1 OF 1		