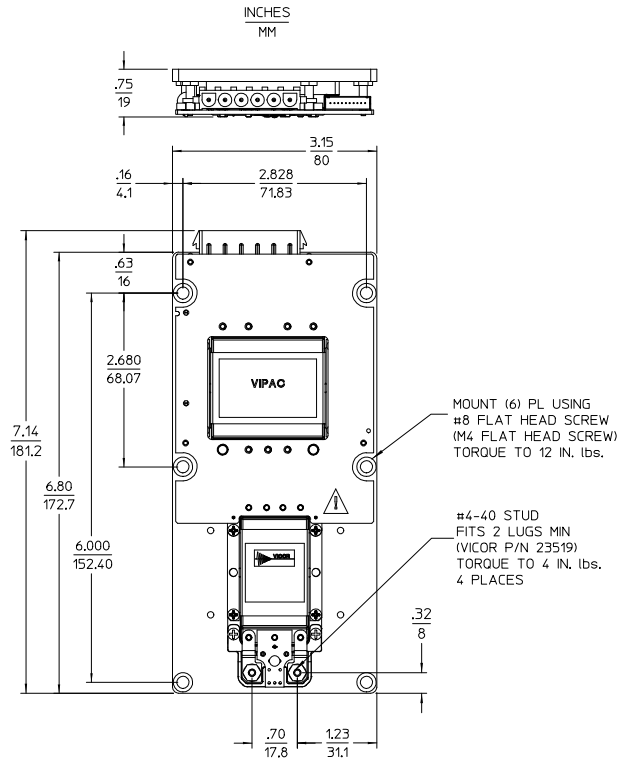


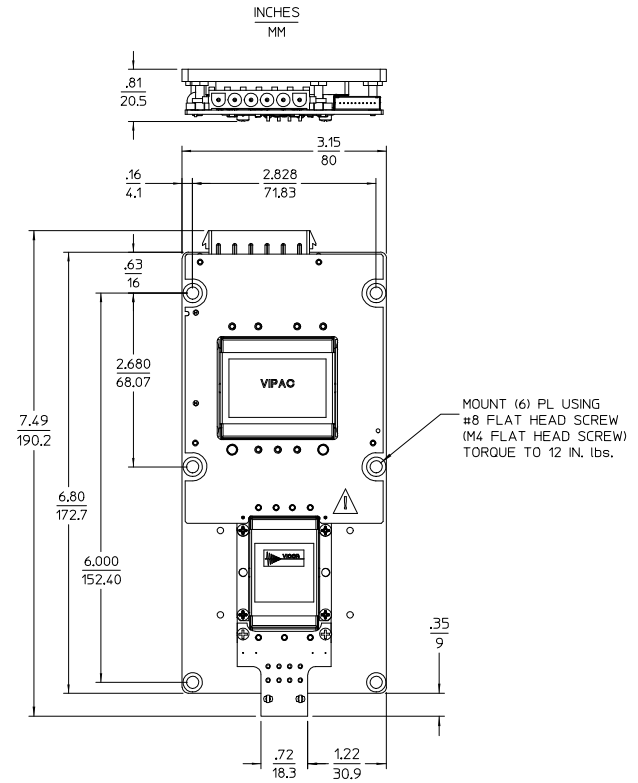
REV.	DESCRIPTION	DATE	APVD
1	RELEASE PER ECO REQUEST E080940	REJH 05/06/08	AK

**CONFIGURATION 'G'**  
**COLDPLATE VERSION SHOWN**  
**SINGLE OUTPUT**  
**WITH LUGMATE**



TOLERANCES:  $\frac{.XX}{MM} = \frac{.02}{.5}$   $\frac{.XXX}{MM} = \frac{.010}{.25}$

**CONFIGURATION 'G'**  
**COLDPLATE VERSION SHOWN**  
**SINGLE OUTPUT**  
**WITH PLUGMATE**



TOLERANCES:  $\frac{.XX}{MM} = \frac{.02}{.5}$   $\frac{.XXX}{MM} = \frac{.010}{.25}$

DRAWN BY A. RIZOVIC	DATE 8/23/06				
<small>UNLESS OTHERWISE SPECIFIED                  DIMENSIONS ARE IN INCHES                  TOLERANCES ARE:                  FRACTIONS DECIMALS ANGLES                  .XX ±.01 ±.005                  .XXX ±.01 ±.005</small>					
THIRD ANGLE PROJECTION		SIZE D	P/SCH NO. 67131	DWG NO. 33021	REV 1
DO NOT SCALE DRAWING		SCALE 1:1	SHEET 1 OF 1		

OUTLINE DWG VIPAC CONFIG "G" AC