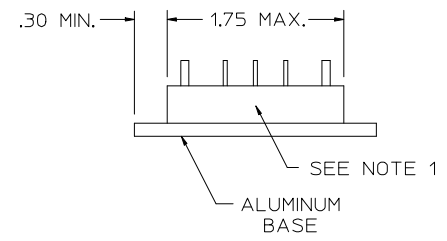
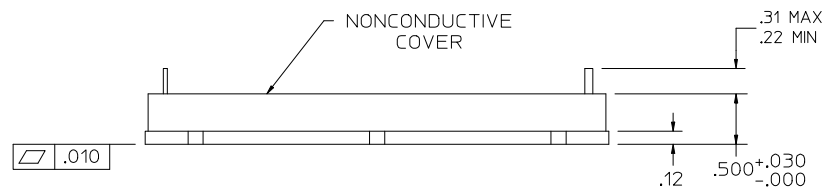
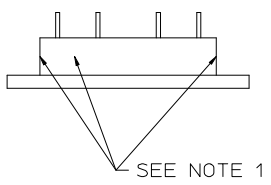
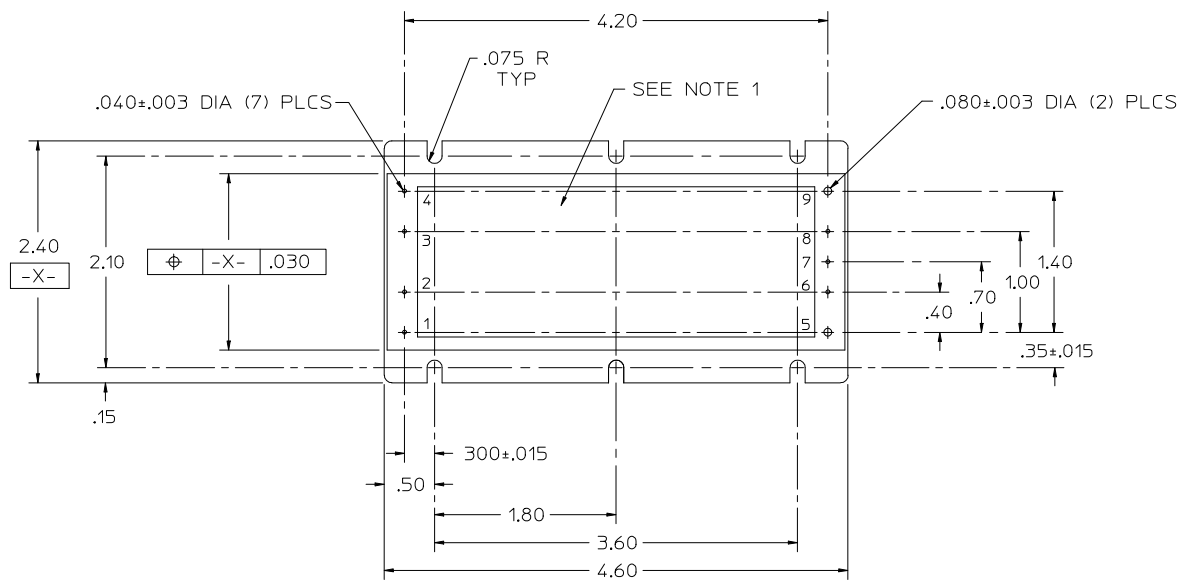


THIS DOCUMENT AND THE DATA DISCLOSED
HEREIN OR HEREWITH IS NOT TO BE REPRODUCED,
USED, OR DISCLOSED IN WHOLE OR IN PART
TO ANYONE WITHOUT PERMISSION OF VICOR CORP.

REV.	DESCRIPTION	DATE	APPROVED
A	RELEASED PER E910753	FW	12/90
B	REVISED PER E950374	RCM	7/31/95 DPK
3	REVISED PER E090442	GCK	03/03/09 EF



PIN #	UNITS/FUNCTION	
	VI-2XX-XX	VI-BXX-XX (VI-200)
1	+IN	+IN
2	GATE IN	GATE IN
3	GATE OUT	GATE OUT
4	-IN	-IN
5	+OUT	+OUT
6	+SENSE	DO NOT CONNECT
7	TRIM	DO NOT CONNECT
8	-SENSE	DO NOT CONNECT
9	-OUT	-OUT

- NOTES
1. PRODUCT IDENTIFICATION MAY BE LOCATED IN ANY OR ALL AREAS SHOWN.
 2. PINS: RoHS PINS: MATTE TIN 200-300 MICRONS. NON-RoHS PINS: MATTE TIN/LEAD 60-40 (.080) AND 90/10 (.040) 150-300 MICRONS. BOTH FINISHES OVER BRASS PINS.

UNLESS OTHERWISE SPECIFIED DIMENSIONS ARE IN INCHES TOLERANCES ARE:			APPROVALS		DATE			
FRACTIONS	DECIMALS	ANGLES	DRAWN:		12/90			OUTLINE DRAWING, VI-200
± 1/64	.XX±.01	± 1°0	CHECKED:	FF	12/90	SIZE FSCM NO.	DWG. NO.	
THIRD ANGLE PROJECTION						© 67131	05429	3
DO NOT SCALE DRAWING						SCALEFULL	SHEET 1 OF 1	