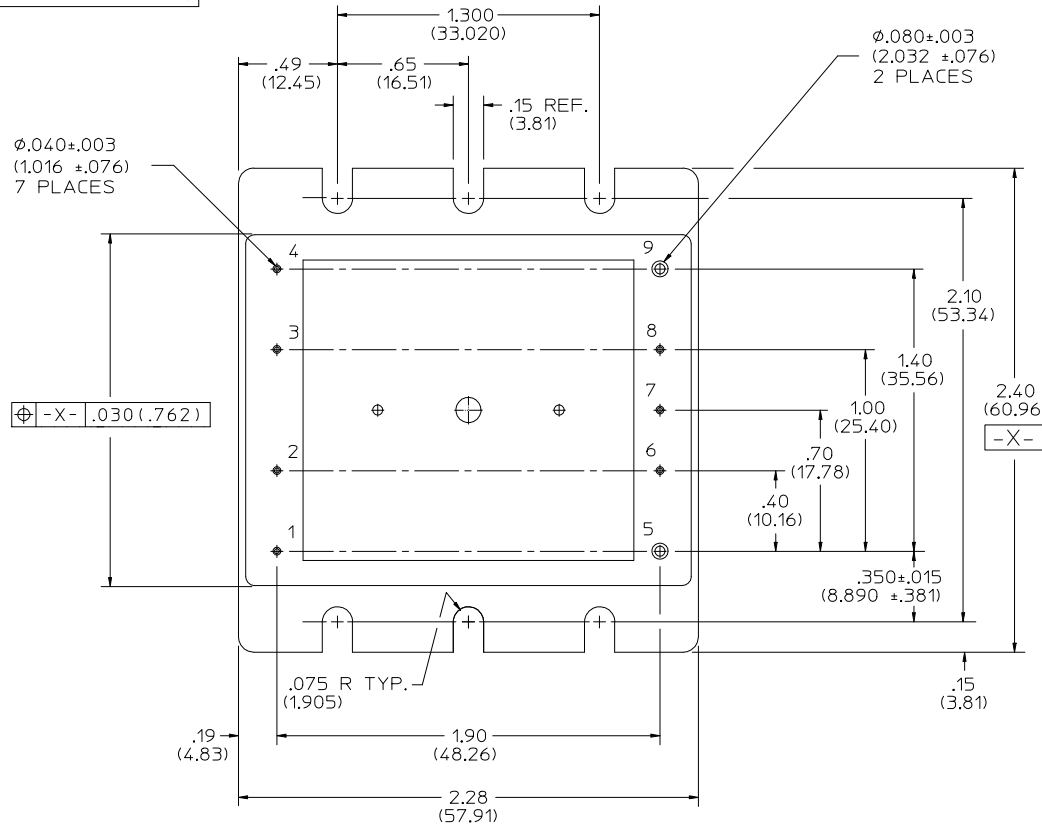


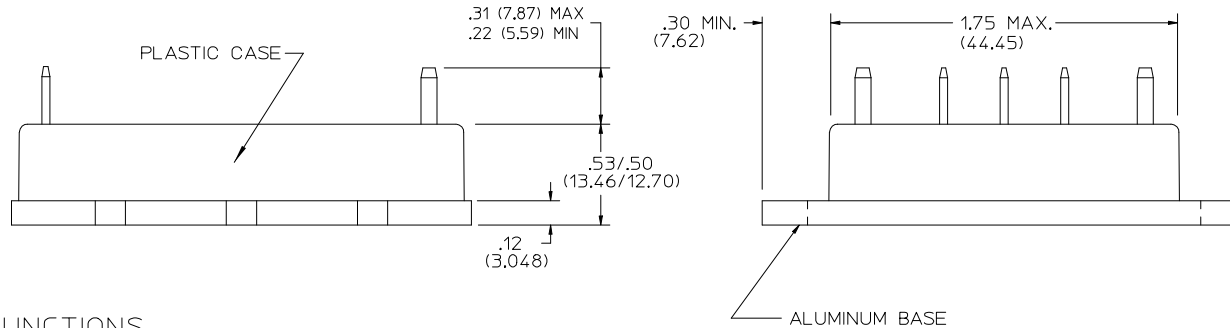
THIS DOCUMENT AND THE DATA DISCLOSED HEREIN OR HEREWITH IS NOT TO BE REPRODUCED, USED, OR DISCLOSED IN WHOLE OR IN PART TO ANYONE WITHOUT PERMISSION OF VICOR CORP.

REV.	DESCRIPTION	DATE	APPROVED
10	REVISED PER E910377A		
11	REVISED PER E910761	JW 2/14/92	WWP
12	REVISED PER E920308	6/4/92	CFH
13	REVISED PER E920363	CFH 7/7/92	WWP
14	REVISED PER E950374	RCM 7/27/95	DPK
15	REVISED PER E950513	DPK 8/1/95	RCM
16	REVISED PER E960653	DPK 1/6/97	RCM
17	REVISED PER E090441	REJH 03/03/09	EF



NOTES:

- PINS: RoHS PINS: MATTE TIN 200-300 MICROINCHES. NON-RoHS PINS: MATTE TIN/ LEAD 60/40 (.080) OR 90/10 (.040) 150-300 MICROINCHES. BOTH FINISHES OVER BRASS PINS.



PIN FUNCTIONS

PIN #	MINI-MOD	RAM	IAM	AIM
1	+IN	+IN	+IN	L1
2	GATE IN	+SENSE IN	+IN	NO CONNECTION
3	GATE OUT	-SENSE IN	-IN	NO CONNECTION
4	-IN	-IN	-IN	L2/N
5	+OUT	+OUT	+OUT	+OUT
6	+SENSE OUT	+SENSE OUT	GATE IN	GATE IN
7	TRIM	NO CONNECTION	PARALLEL	PARALLEL
8	-SENSE OUT	-SENSE OUT	GATE OUT	GATE OUT
9	-OUT	-OUT	-OUT	-OUT


UNLESS OTHERWISE SPECIFIED DIMENSIONS ARE IN INCHES TOLERANCES ARE:

DECIMALS
 .XX ± .01 (.25MM)
 .XXX ± .005 (.127MM)

THIRD ANGLE PROJECTION

DO NOT SCALE DRAWING

APPROVALS	DATE
C HUTCHINS	4/89


OUTLINE DRAWING
MINI MODULE

SIZE (FSCM NO.)
 © 67131

DWG. NO. 03550

REV. 17

SCALE 2X

SHEET 1 OF 1