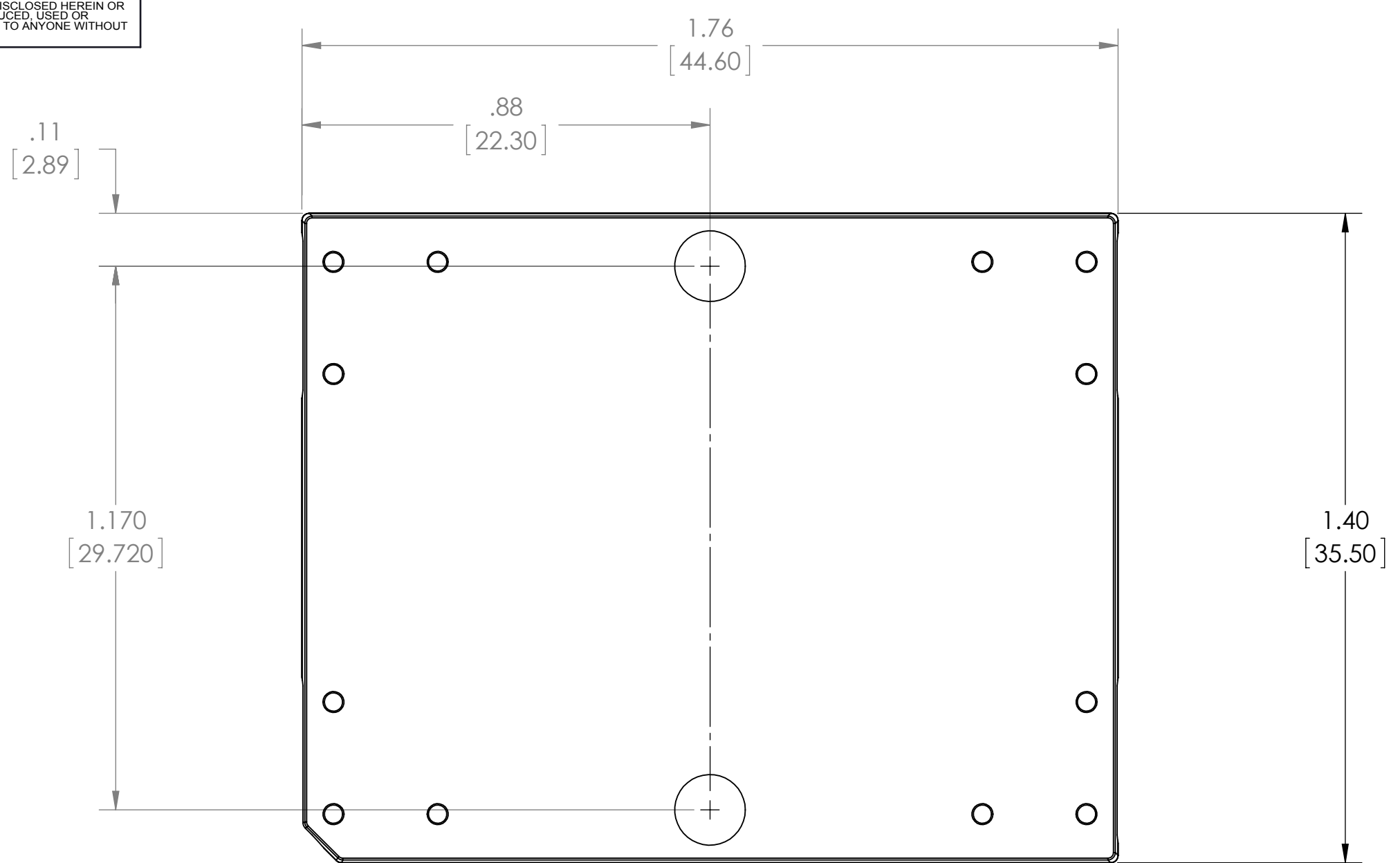
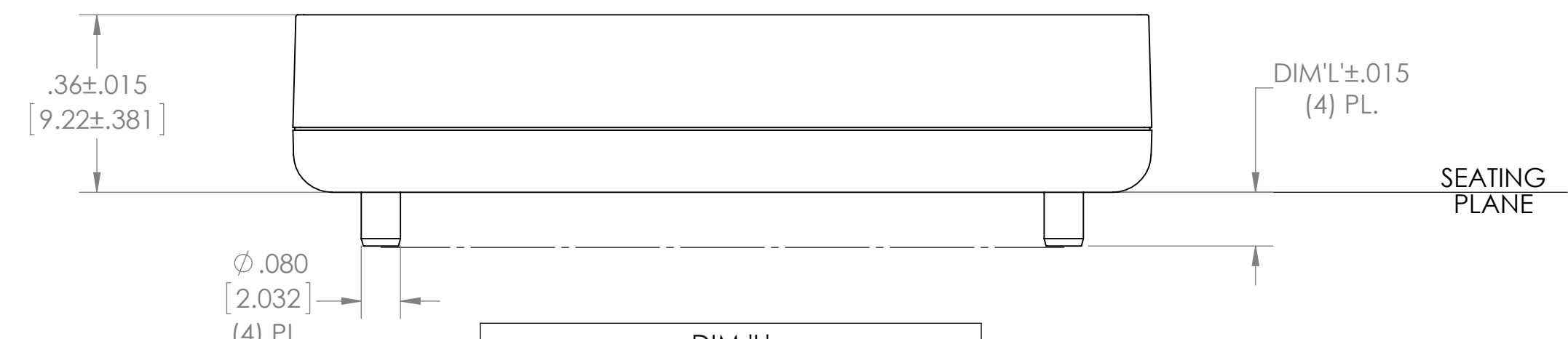


VICOR CONFIDENTIAL  
THIS DOCUMENT AND THE DATA DISCLOSED HEREIN OR HEREON IS NOT TO BE REPRODUCED, COPIED, DISCLOSED IN WHOLE OR IN PART TO ANYONE WITHOUT THE PERMISSION OF VICOR CORP.

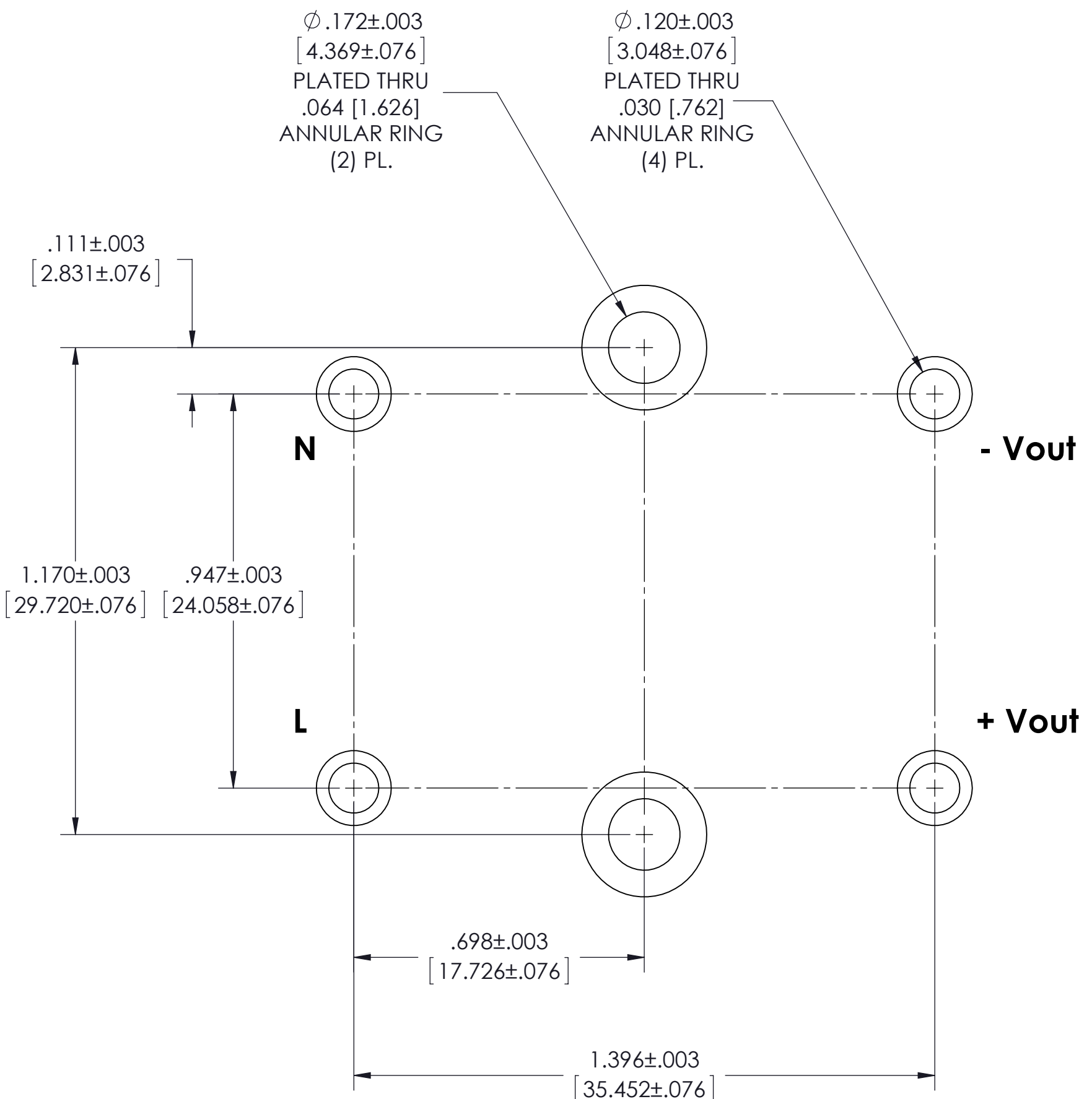
REV.	DESCRIPTION	INTL	DATE	APVD
1	RELEASE PER E160097	MTB	02/04/16	AM
2	REVISE PER E160549	GCK	06/07/16	MTB
3	REVISE PER E180621	REJH	09/06/18	AM



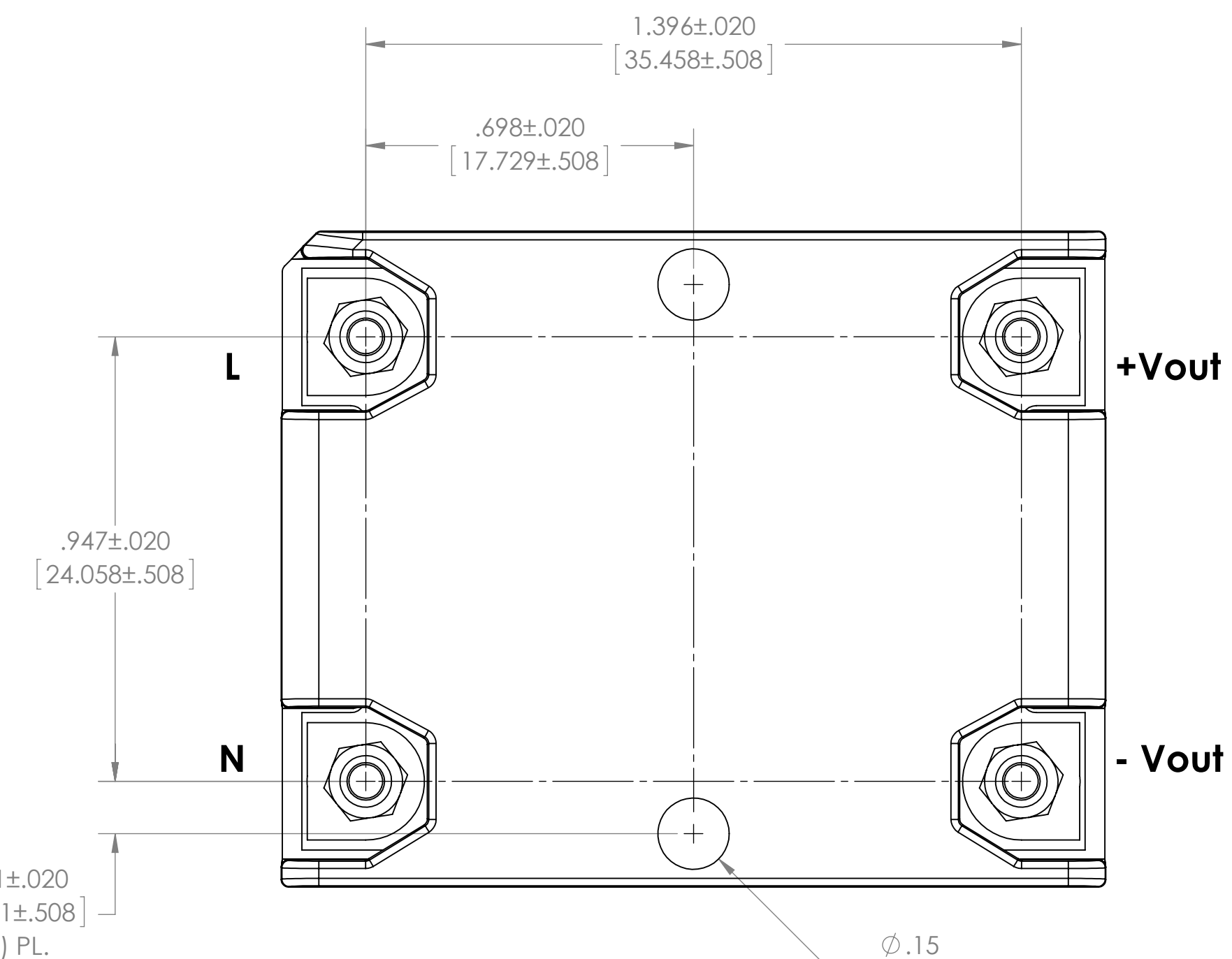
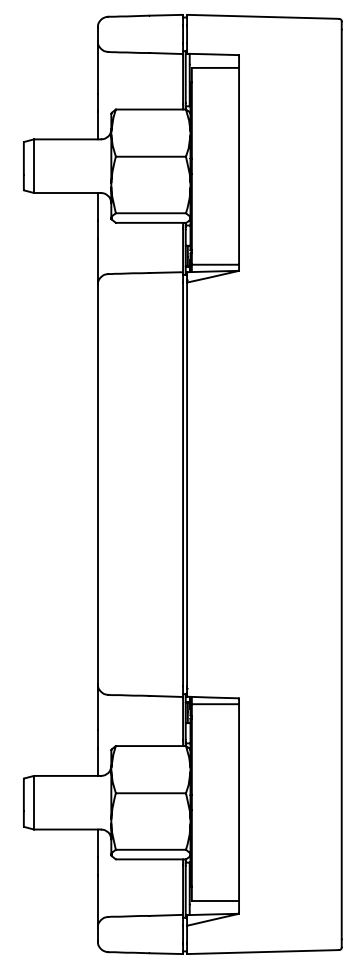
TOP VIEW  
(COMPONENT SIDE)



DIM 'L'	
SHORT	.113 [2.870]
LONG	.192 [4.877]

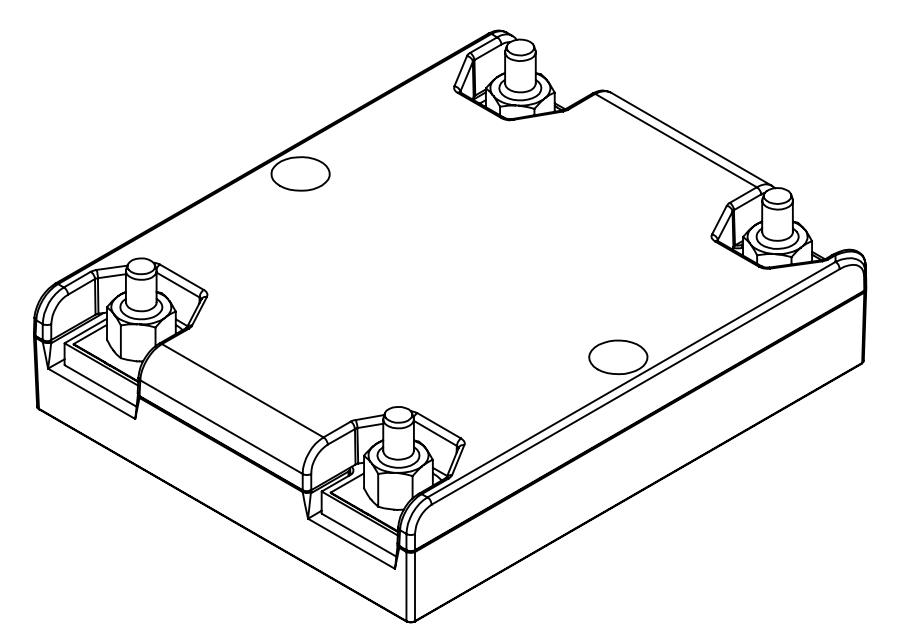


RECOMMENDED HOLE PATTERN  
(COMPONENT SIDE)



BOTTOM VIEW

NOTES:  
1. RoHS COMPLIANT PER CST-0001 LATEST REVISION.



DRAWN BY Jackson Flynn	DATE 9/1/2015	<b>VICOR</b>		SWD
UNLESS OTHERWISE SPECIFIED DIMENSIONS ARE: INCH / (MM)		<b>PROD OUTL PCB MNT VIA AIM</b>		
TOLERANCES ARE: DECIMALS XXX (X.XX) = +0.01 (0.25) X.XXX (X.XXX) = ±0.005 (0.127)	ANGLES °	SIZE <b>D</b>	CAGE CODE <b>67131</b>	DWG NO <b>42969</b>
THIRD ANGLE PROJECTION	SCALE 3.5:1	REV <b>3</b>	SHEET 1 OF 1	