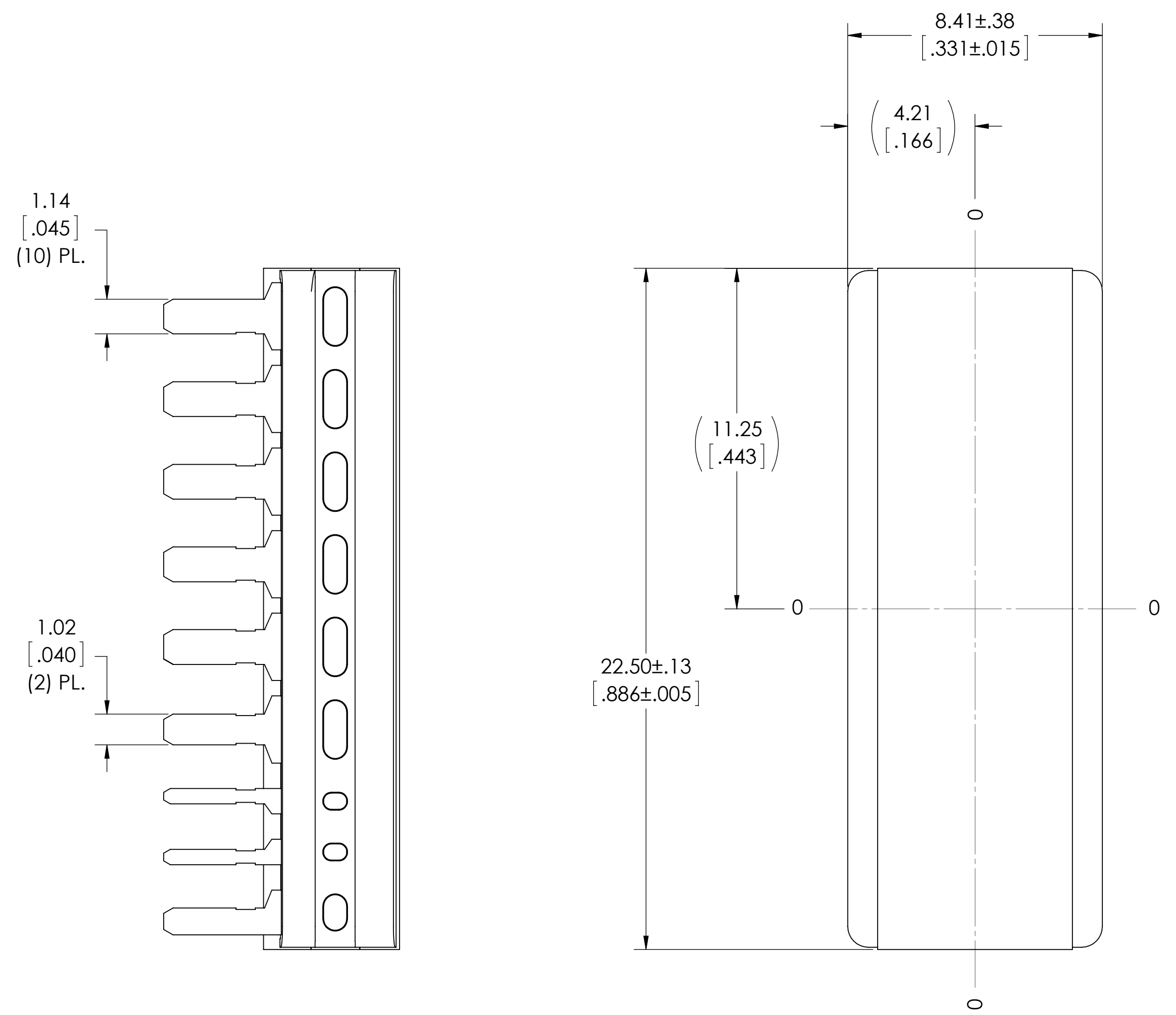
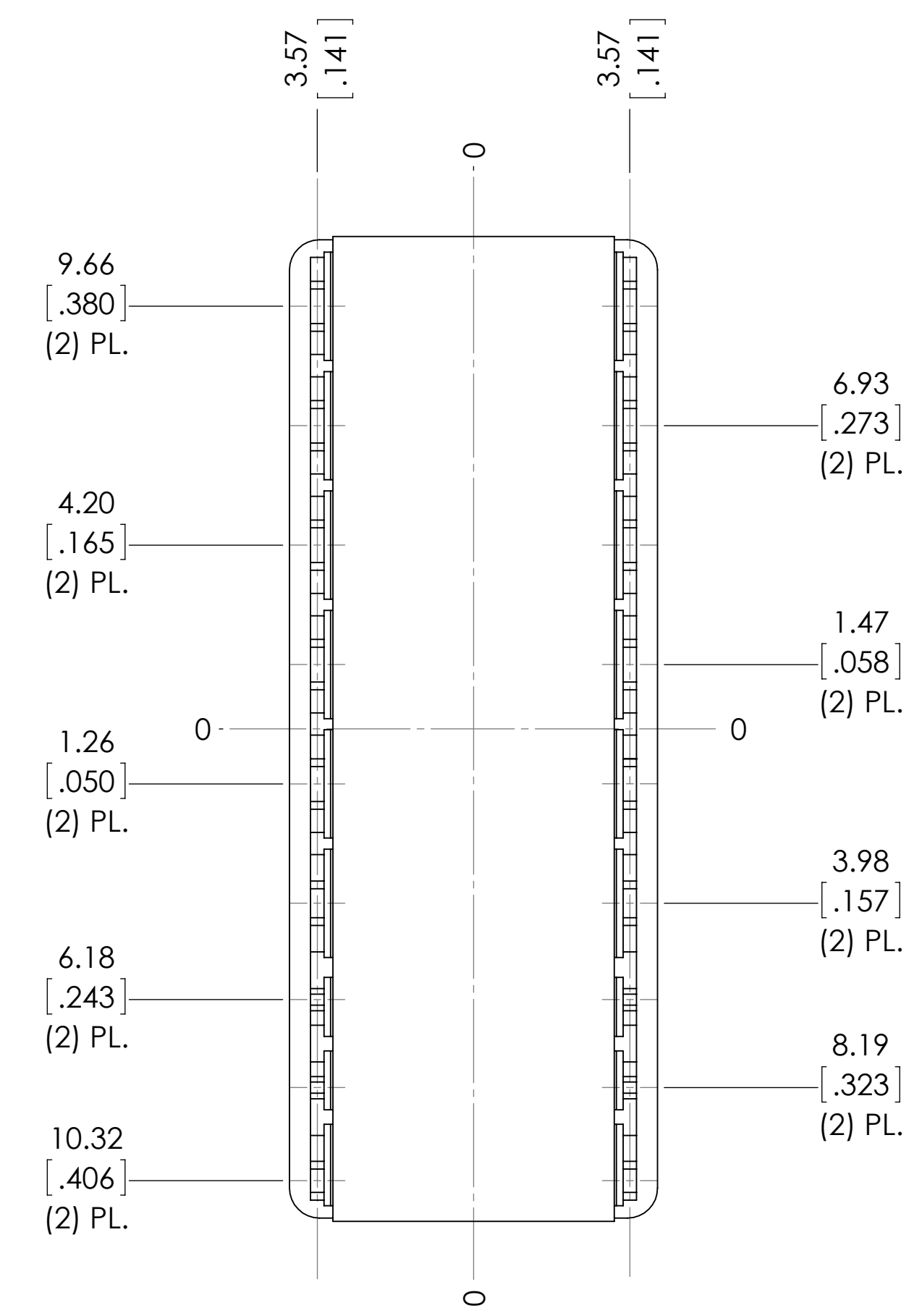
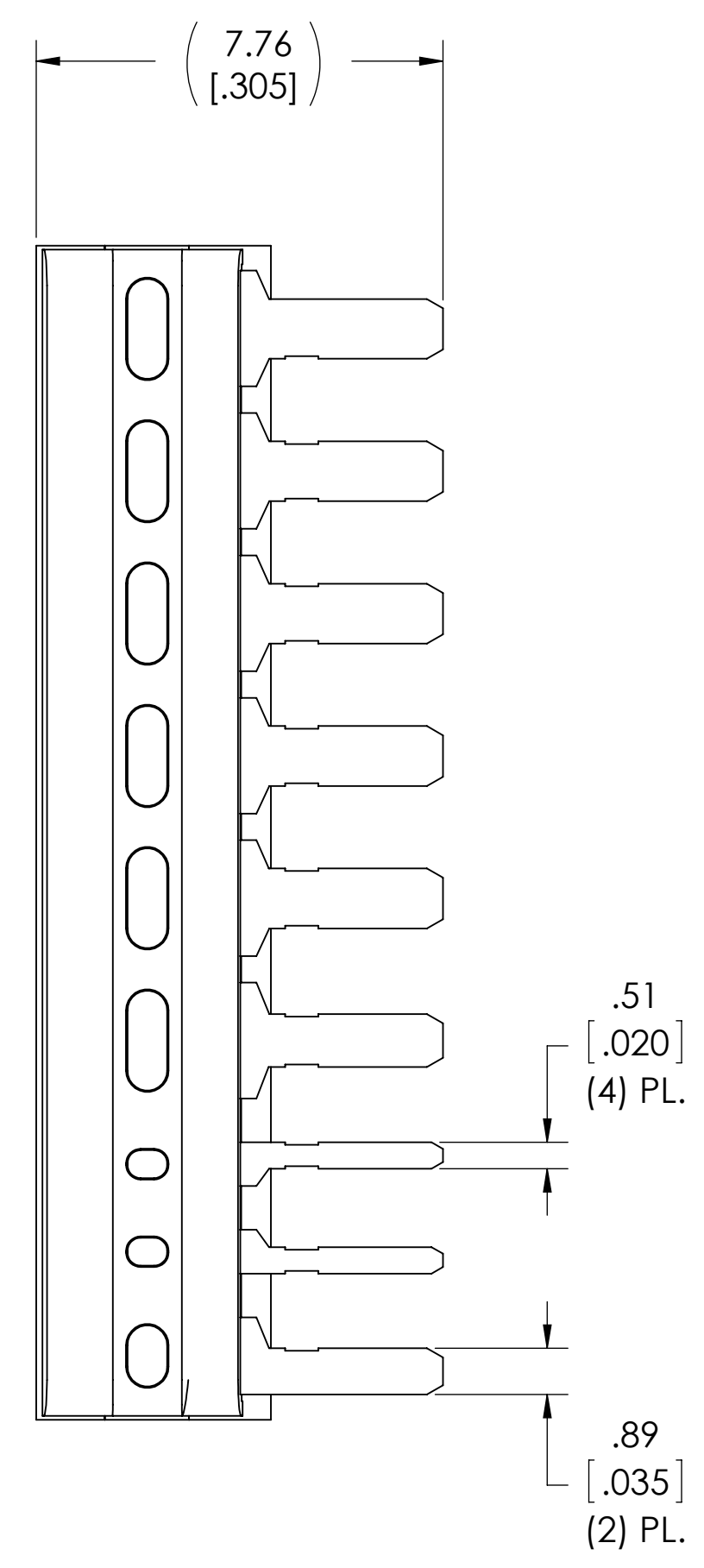


VICOR CONFIDENTIAL  
 THIS DOCUMENT AND THE DATA DISCLOSED HEREIN OR  
 HEREON IS NOT TO BE REPRODUCED, COPIED, OR  
 DISCLOSED IN WHOLE OR IN PART TO ANYONE WITHOUT  
 THE PERMISSION OF VICOR CORP.

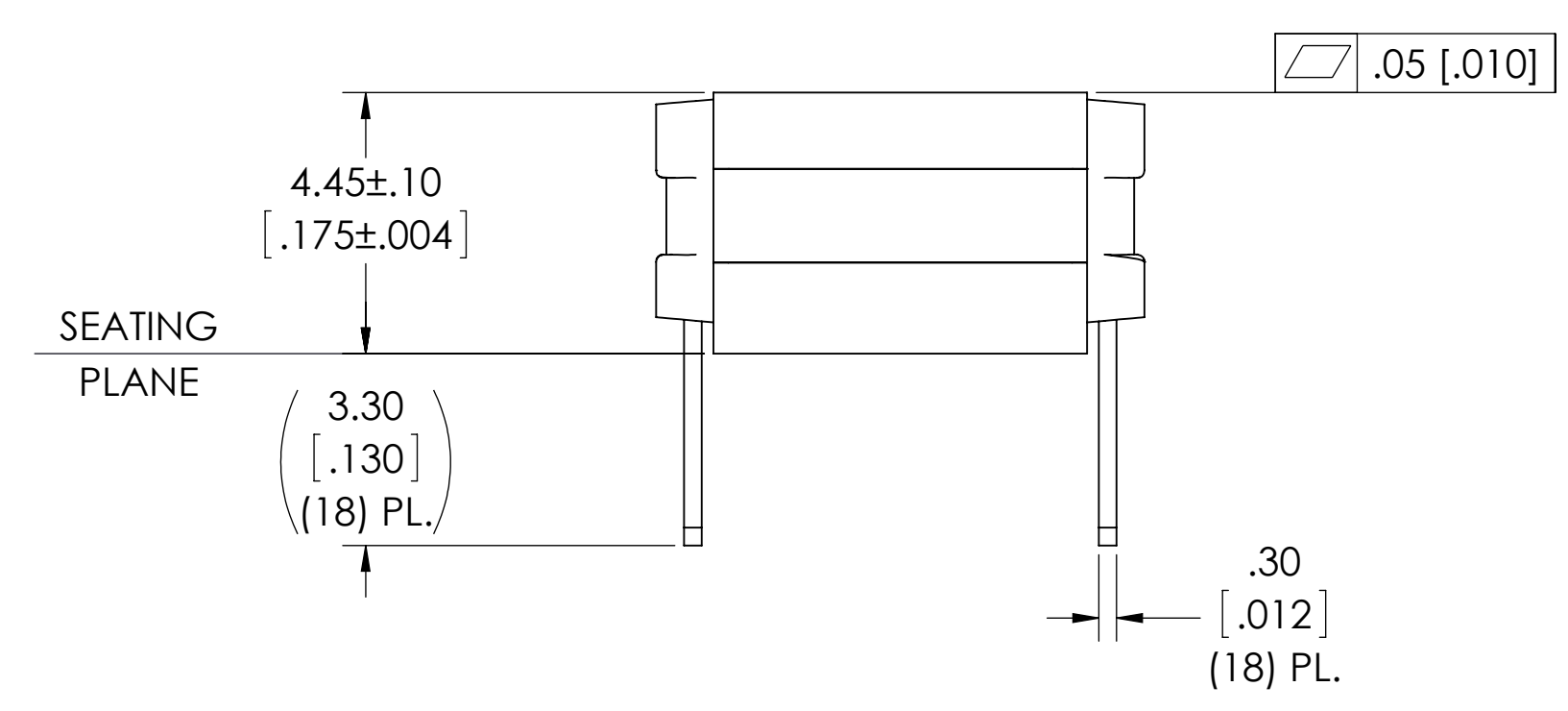
REV.	DESCRIPTION	INTL	DATE	APVD
1	RELEASE PER E141079	REJH	09/12/14	JT
2	REVISED PER E161035B	AP	10/26/16	REJH
3	REVISED PER E170697a	GCK	07/20/17	REJH



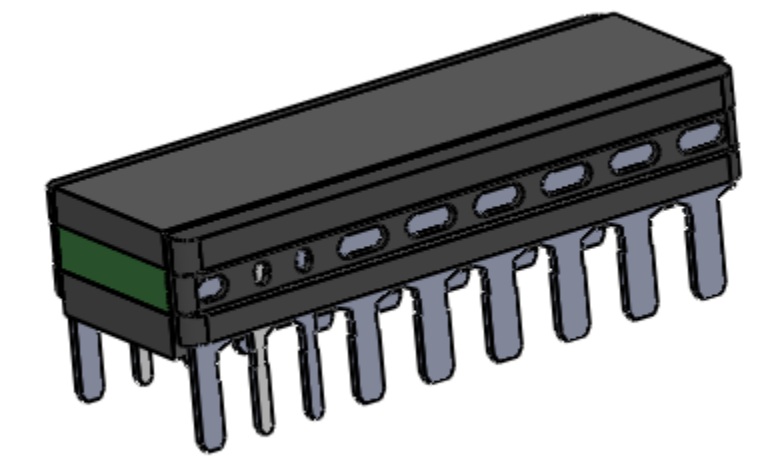
TOP VIEW (COMPONENT VIEW)



BOTTOM VIEW



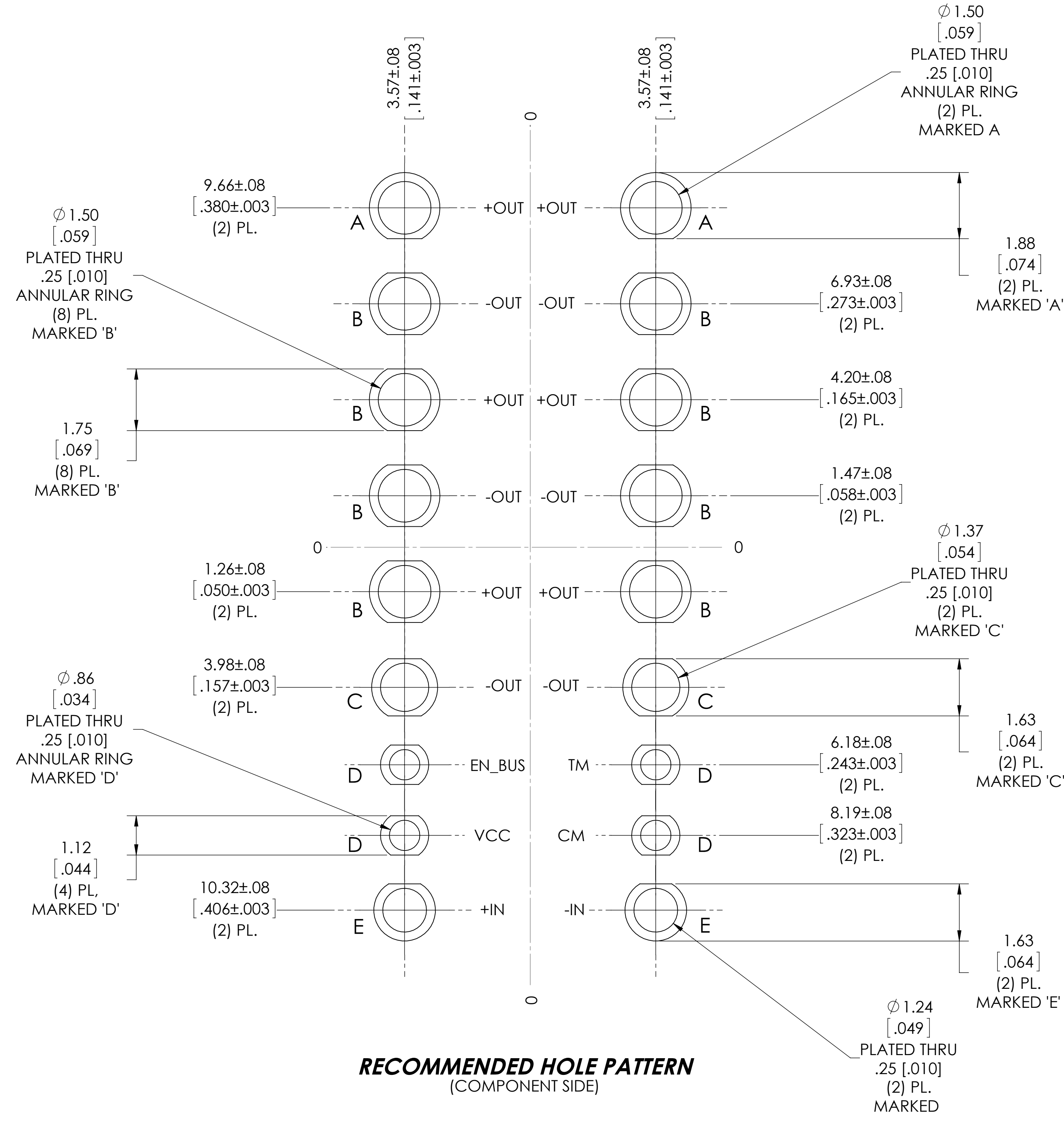
- NOTES:
- 1- RoHS COMPLIANT, LEAD FREE CST-0001 LATEST REVISION.
  - 2- SEE SHEET 2 FOR RECOMMENDED HOLE PATTERN.



DRAWN BY R.E.J. Hickey	DATE 10/17/2013	<b>VICOR</b> <small>swd</small>	
UNLESS OTHERWISE SPECIFIED DIMENSIONS ARE : MM / [INCH]		<b>PRODUCT OUTLINE 0623 THRU HOLE</b>	
TOLERANCES ARE: DECIMALS ANGLES XX [XX] ±.02 [0.01] ±1° X.XX [X.XX] ±.012 [0.005]		SIZE <b>D</b>	CAGE CODE <b>67131</b>
THIRD ANGLE PROJECTION 		DWG NO <b>40326</b>	REV <b>3</b>
DO NOT SCALE DRAWING		SCALE 8:1	SHEET 1 OF 2

VICOR CONFIDENTIAL  
THIS DOCUMENT AND THE DATA DISCLOSED HEREIN OR  
HEREWITH IS NOT TO BE REPRODUCED, USED OR  
DISCLOSED IN WHOLE OR IN PART TO ANYONE WITHOUT  
THE PERMISSION OF VICOR CORP.

REVISIONS			
REV	DESCRIPTION	DATE	APPROVED
	SEE SHEET 1		



DRAWN BY R.E.J. Hickey	DATE 10/17/2013	<b>VICOR</b> <small>swd</small>	
UNLESS OTHERWISE SPECIFIED DIMENSIONS ARE : MM / [INCH]		<b>PRODUCT OUTLINE 0623 THRU HOLE</b>	
TOLERANCES ARE: DECIMALS X.X [X.XX] = +0.25 [0.01] X.XX [X.XXX] = +0.127 [0.005]	ANGLES ±1°	SIZE <b>D</b>	CAGE CODE <b>67131</b>
THIRD ANGLE PROJECTION	SCALE 12:1	DWG NO <b>40326</b>	REV <b>3</b>
DO NOT SCALE DRAWING		SHEET 2 OF 2	