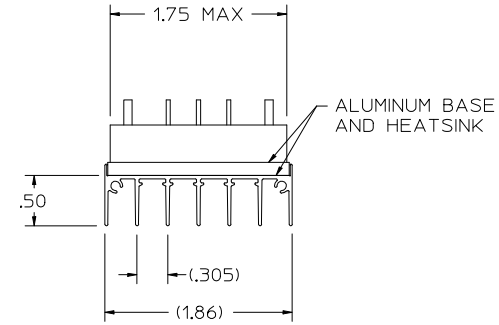
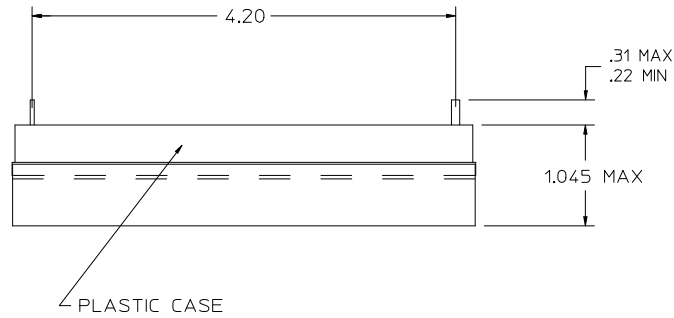
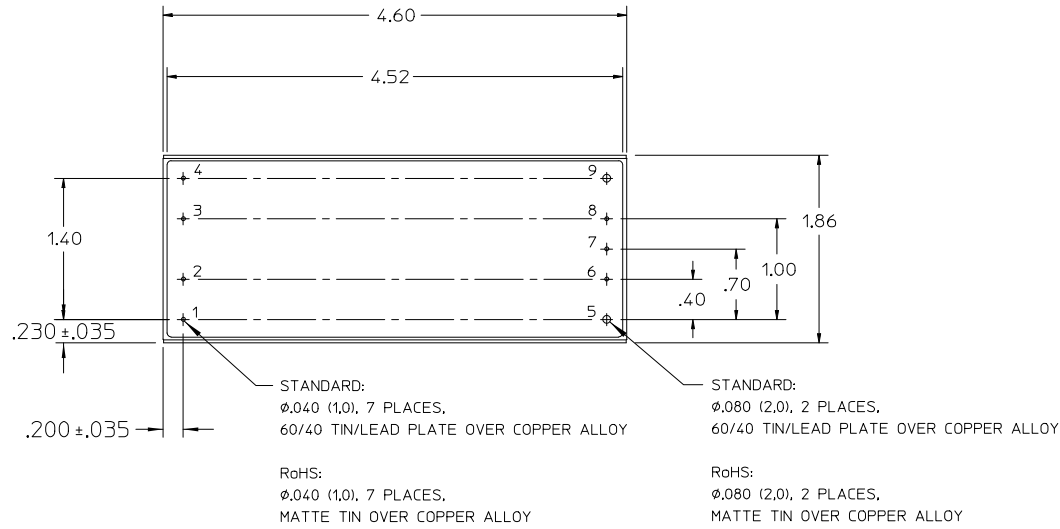


VICOR CONFIDENTIAL

THIS DOCUMENT AND THE DATA DISCLOSED HEREIN OR HEREWITH IS NOT TO BE REPRODUCED, USED, OR DISCLOSED IN WHOLE OR IN PART TO ANYONE WITHOUT PERMISSION OF VICOR CORP.

REV.	DESCRIPTION	DATE	APPROVED
1	RELEASE PER E910657	BJR 11/15/95	WWP
02	REVSD PER E950374	RCM 8/2/95	DPK
03	REVSD PER E082776	JSR 11/26/08	REJH



PIN #	UNITS/FUNCTION	
	VI-2XX-XX-F2	VI-BXX-XX-F2 (VI-200)
1	+IN	+IN
2	GATE IN	GATE IN
3	GATE OUT	GATE OUT
4	-IN	-IN
5	+OUT	+OUT
6	+SENSE	DO NOT CONNECT
7	TRIM	DO NOT CONNECT
8	-SENSE	DO NOT CONNECT
9	-OUT	-OUT

UNLESS OTHERWISE SPECIFIED DIMENSIONS ARE IN INCHES
TOLERANCES ARE:

FRACTIONS	DECIMALS	ANGLES
$\pm 1/64$	$.XX \pm .01$	$\pm 1^\circ 0'$
	$.XXX \pm .005$	

THIRD ANGLE PROJECTION

DO NOT SCALE DRAWING

APPROVALS	DATE
DRAWN: B.J.REEVES	10/91

**OUTLINE DRAWING,
FIN MOD (F2)**

SIZE FSCM NO.	DWG. NO.	REV.
C 67131	06185	03
SCALE FULL	SHEET 1 OF 1	