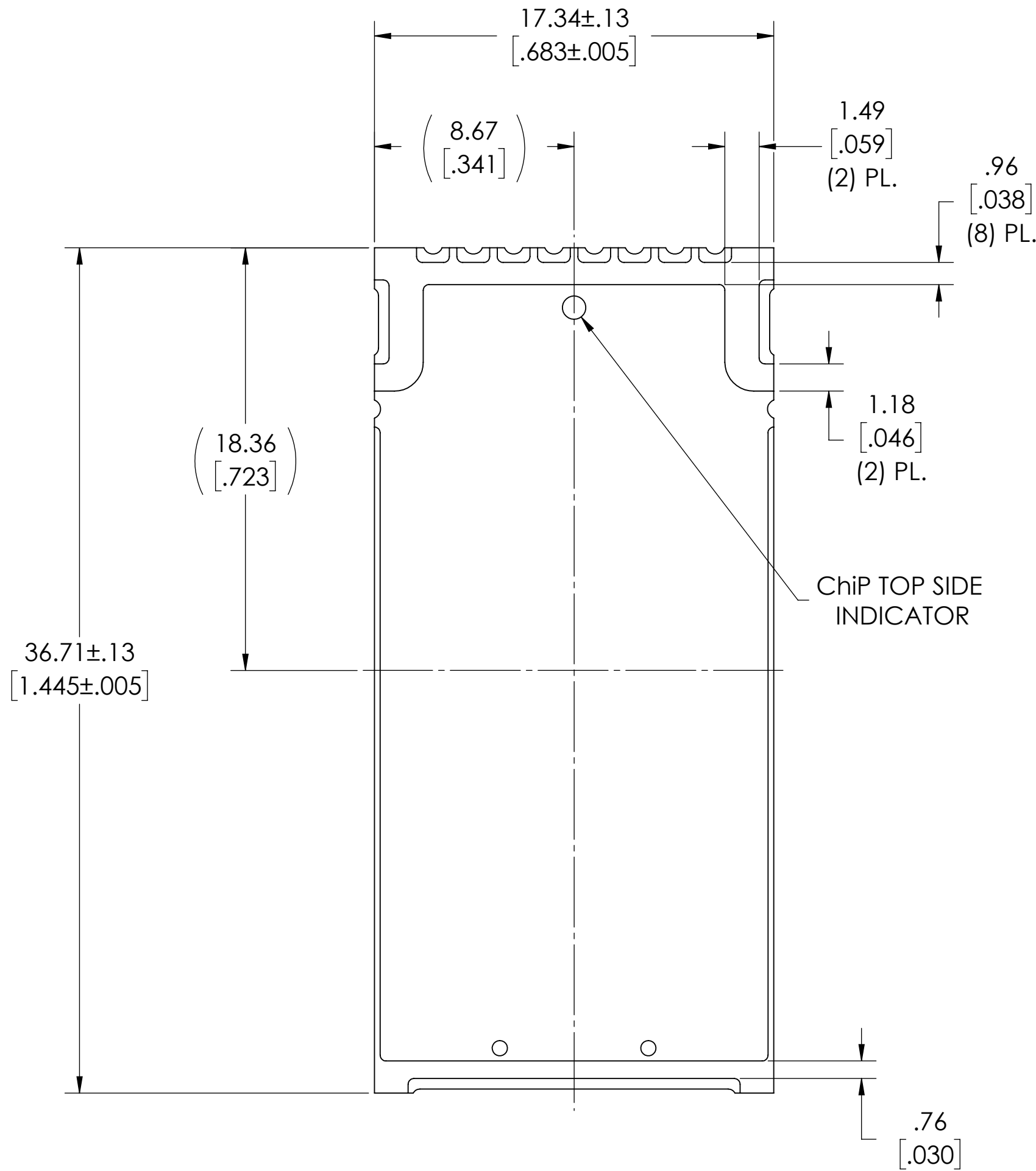


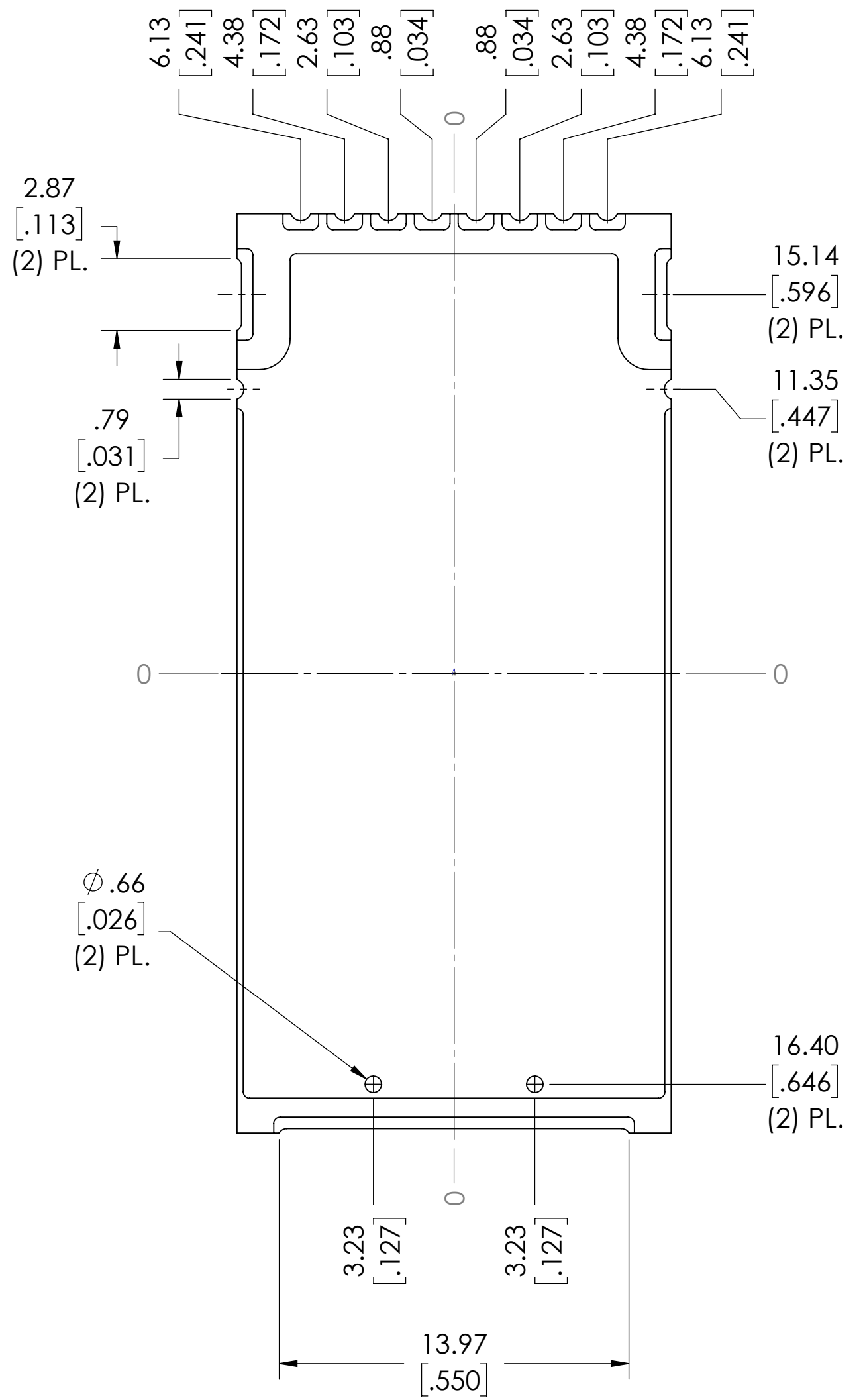
VICOR CONFIDENTIAL  
 THIS DOCUMENT AND THE DATA DISCLOSED HEREIN OR  
 HEREON IS NOT TO BE REPRODUCED, COPIED, OR  
 DISCLOSED IN WHOLE OR IN PART TO ANYONE WITHOUT  
 THE PERMISSION OF VICOR CORP.

REV.	DESCRIPTION	INTL	DATE	APVD
1	RELEASED PER E230459a	WNG	09/22/23	SE
2	REVISED PER E230491	WNG	10/13/23	REW

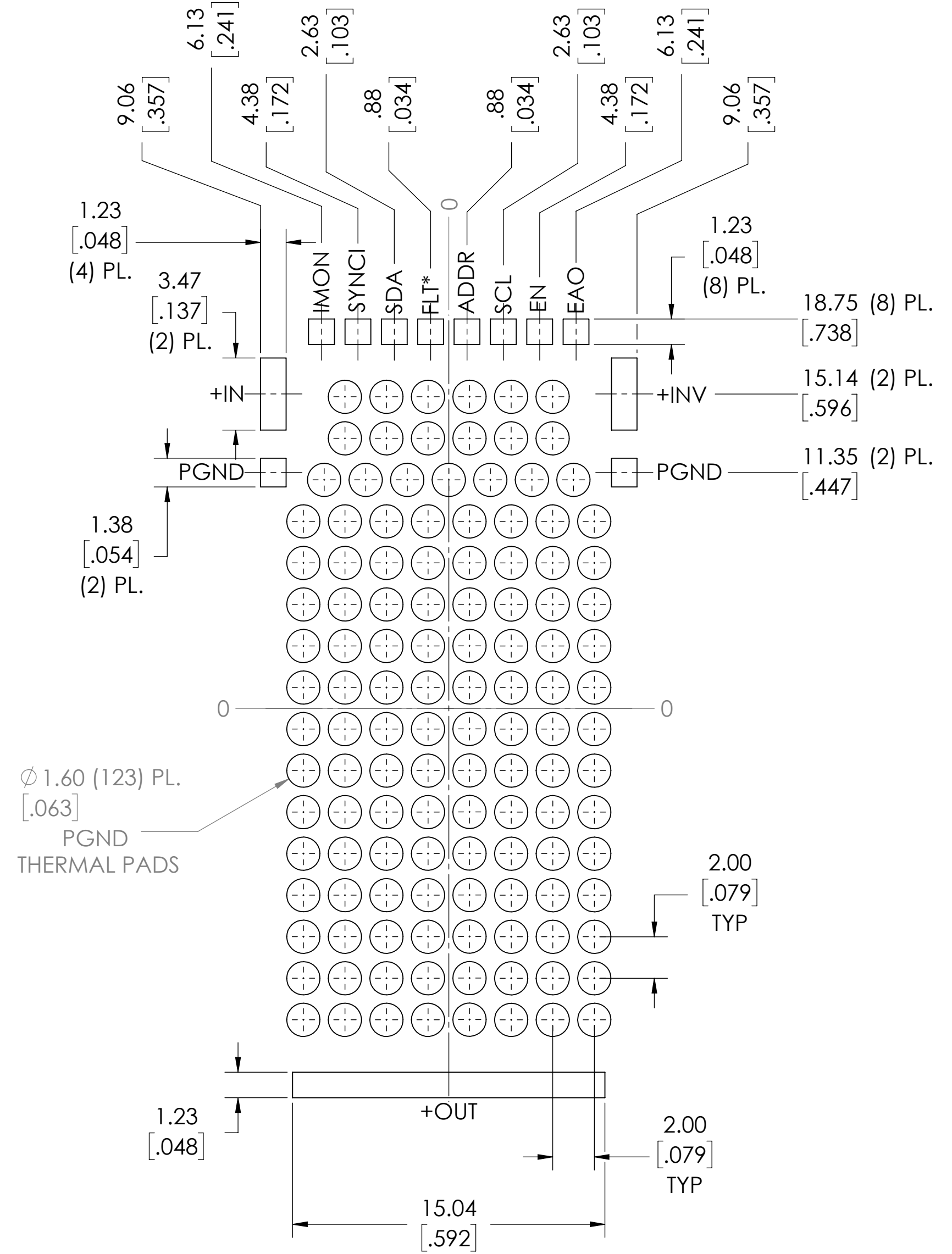


**TOP VIEW  
(COMPONENT SIDE)**

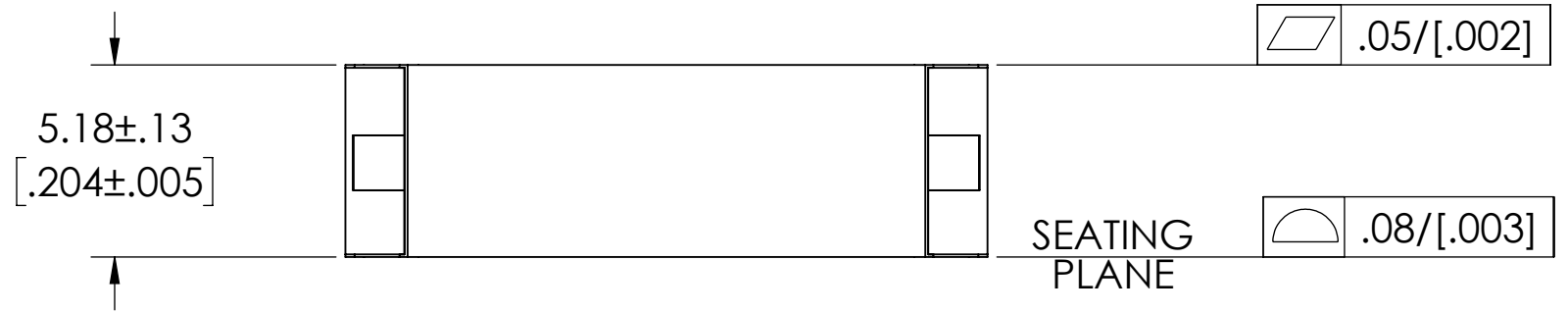
**3717 DCM TC3**



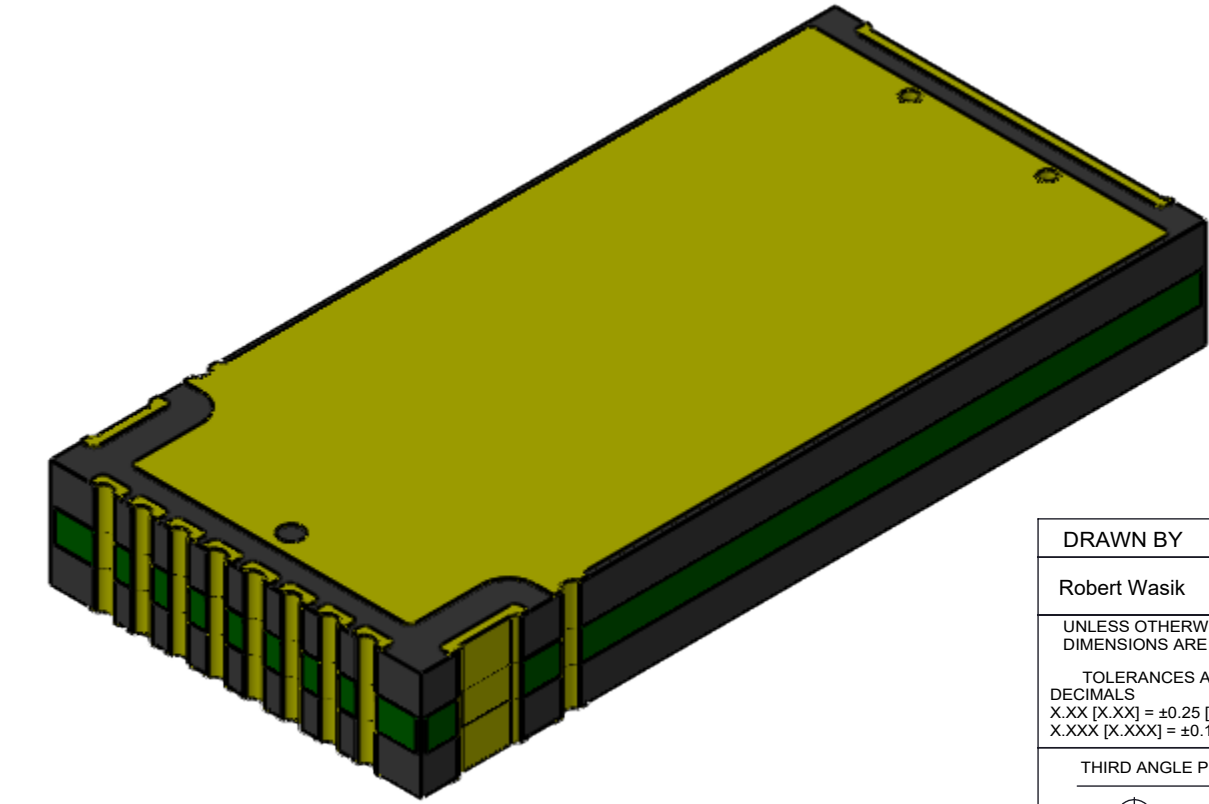
**BOTTOM VIEW**



**RECOMMENDED LAND PATTERN  
3717 DCM TC3  
(COMPONENT SIDE)**



NOTES:  
 1. RoHS COMPLIANT, LEAD FREE PER CST-0001 LATEST REVISION



DRAWN BY Robert Wasik	DATE 03/07/2023	<b>VICOR</b>		SWD
UNLESS OTHERWISE SPECIFIED DIMENSIONS ARE : MM / [INCH]				
TOLERANCES ARE:		ANGLES		
DECIMALS		11°		
XXX [X.XX] = ±0.25 (0.01)		XXX [X.XXX] = ±0.127 (0.005)		
THIRD ANGLE PROJECTION	SIZE <b>D</b>	CAGE CODE <b>67131</b>	DWG NO <b>53472</b>	REV <b>2</b>
DO NOT SCALE DRAWING	SCALE 5:1	SHEET 1 OF 1		