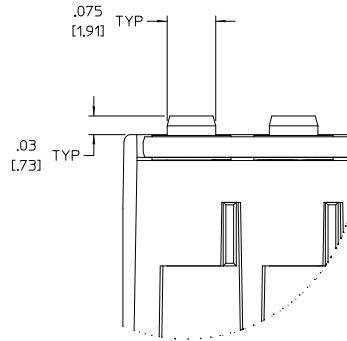
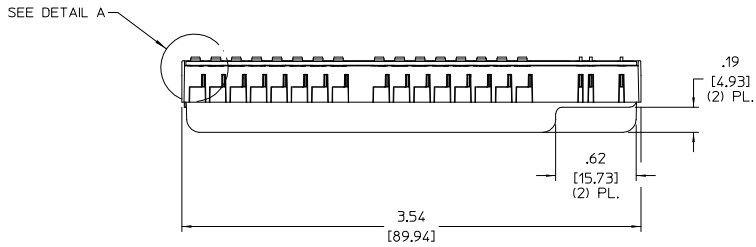
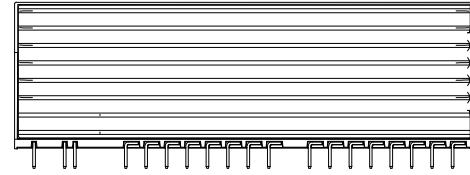
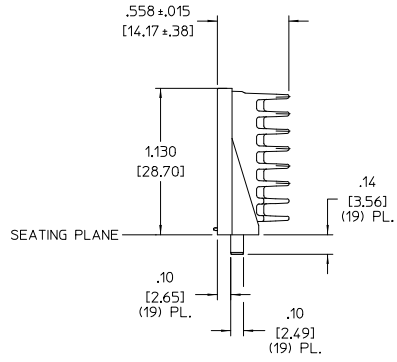
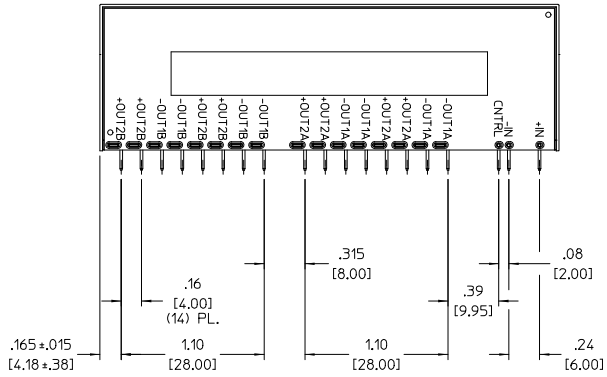


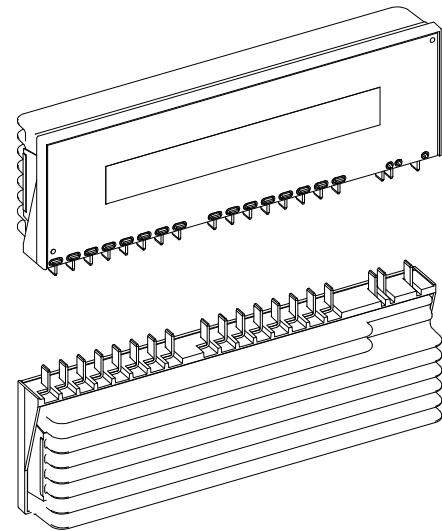
VICOR CONFIDENTIAL

THIS DOCUMENT AND THE DATA DISCLOSED HEREIN OR HEREWITH IS NOT TO BE REPRODUCED, USED, OR DISCLOSED IN WHOLE OR IN PART TO ANYONE WITHOUT PERMISSION OF VICOR CORP.

REV.	DESCRIPTION	DATE	APVD
1	RELEASED PER E090880	AR 05/22/09	ZI



DETAIL A  
SCALE 10:1



DRAWN BY J. RICH	DATE 6/9/99	VICOR			
UNLESS OTHERWISE SPECIFIED DIMENSIONS ARE IN INCHES TOLERANCES ARE: FRACTIONS DECIMALS ANGLES ±.004 ±.01 ±1° MILS ±.005					
THIRD ANGLE PROJECTION		SIZE D	CAGE CODE 67131	DWG NO. 35580	REV 1
DO NOT SCALE DRAWING		SCALE 2:1	SHEET 1 OF 1		