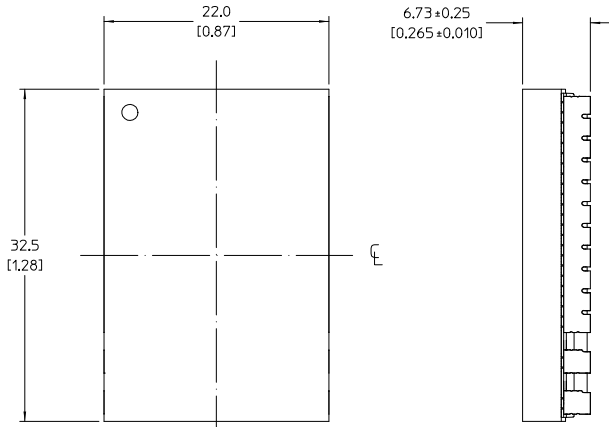


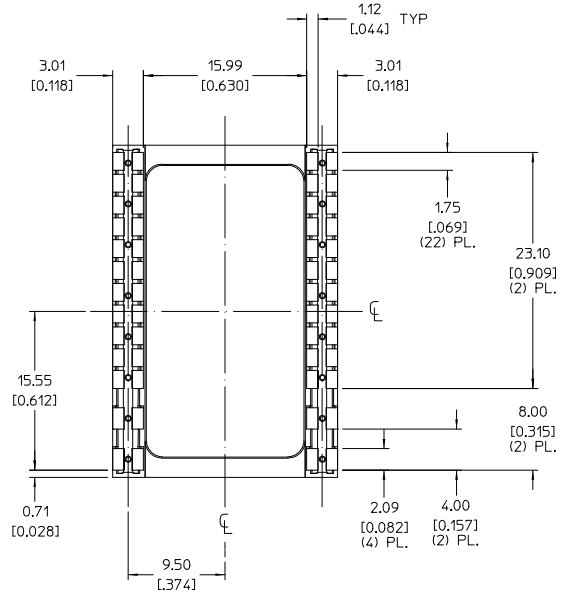
VICOR CONFIDENTIAL

THIS DOCUMENT AND THE DATA DISCLOSED HEREIN OR HEREWITH IS NOT TO BE REPRODUCED, USED, OR DISCLOSED IN WHOLE OR IN PART TO ANYONE WITHOUT PERMISSION OF VICOR CORP.

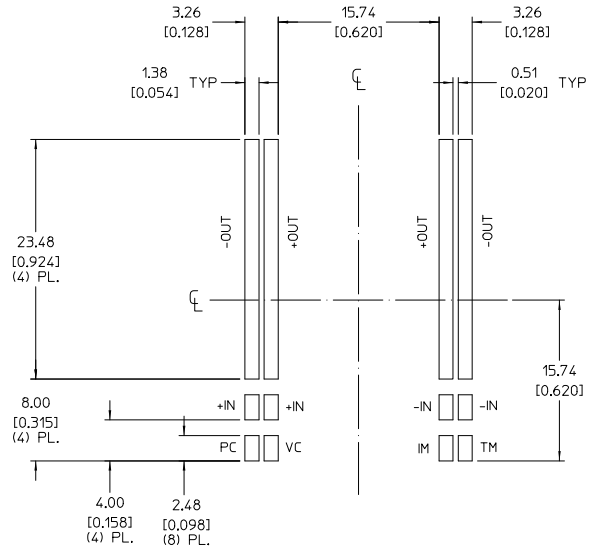
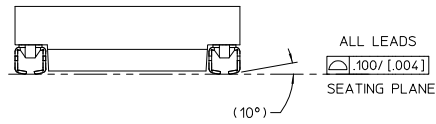
REV.	DESCRIPTION	DATE	APVD
1	RELEASED PER E090594	AR 04/03/09	RE.H
2	RELEASED PER E091092	JS 07/10/09	AR
3	RELEASED PER E091816	JS 10/12/09	RE.H



TOP VIEW (COMPONENT SIDE)



BOTTOM VIEW



RECOMMENDED LAND PATTERN (COMPONENT SIDE SHOWN)

NOTE:  
1. RoHS COMPLIANT PER CST-0001 LATEST REVISION.

DRAWN BY: DATE: 07/20/09 UNLESS OTHERWISE SPECIFIED DIMENSIONS ARE IN INCHES DECIMALS ANGLES XXXX.XX ± 0.25 (0.01) XXXXX.X ± 0.007 (0.0003)	
THIRD ANGLE PROJECTION 	<b>PRODUCT OUTLINE DWG</b> <b>VTM BUTTERFLY</b>
SIZE: D CAGE CODE: 67131 SCALE: 4:1	DWG NO: 34045 REV: 3 SHEET 1 OF 1