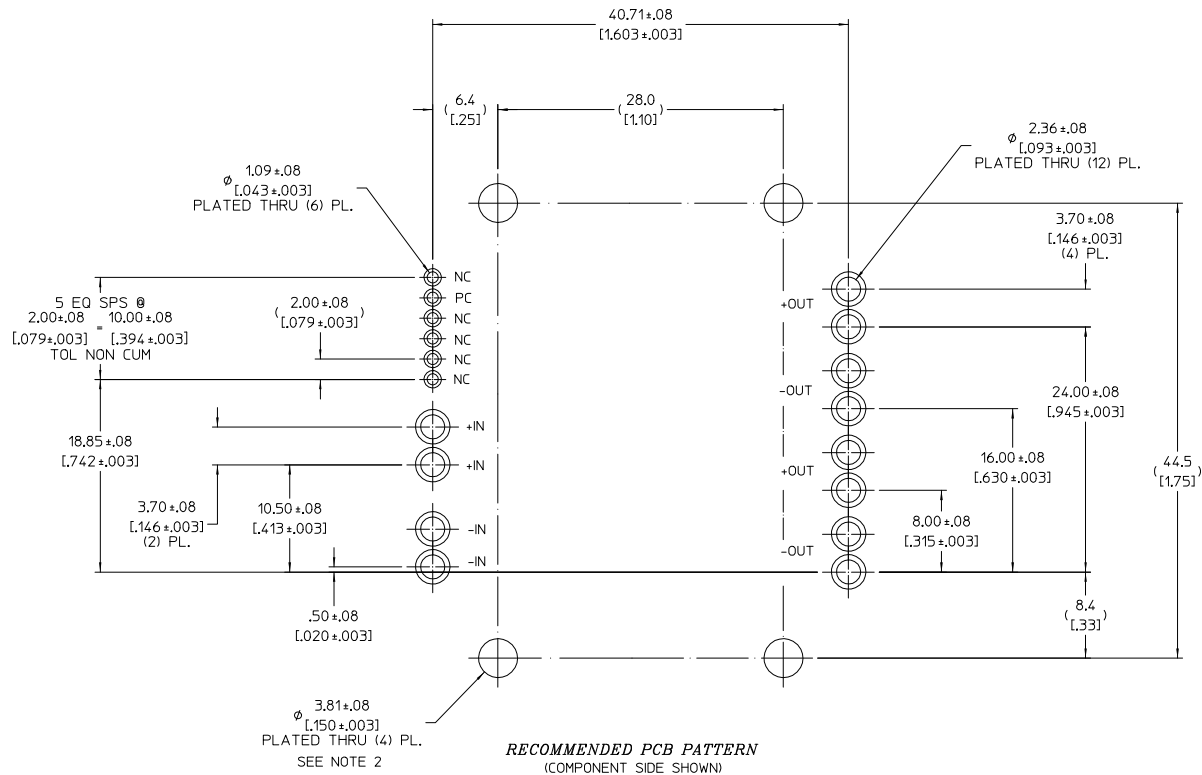


THIS DOCUMENT AND THE DATA DISCLOSED HEREIN OR HEREWITH IS NOT TO BE REPRODUCED, USED, OR DISCLOSED IN WHOLE OR IN PART TO ANYONE WITHOUT PERMISSION OF VICOR CORP.

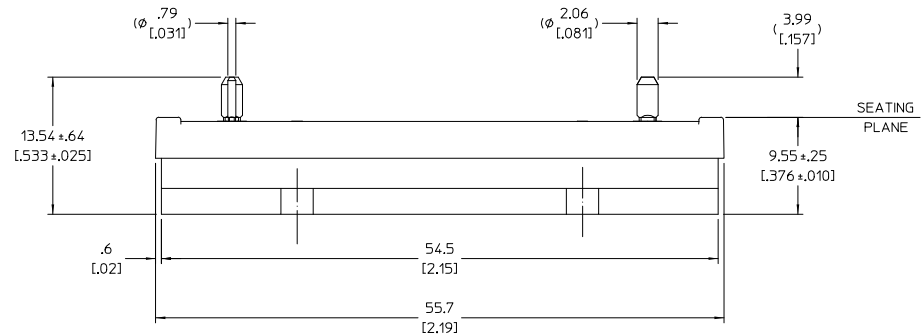
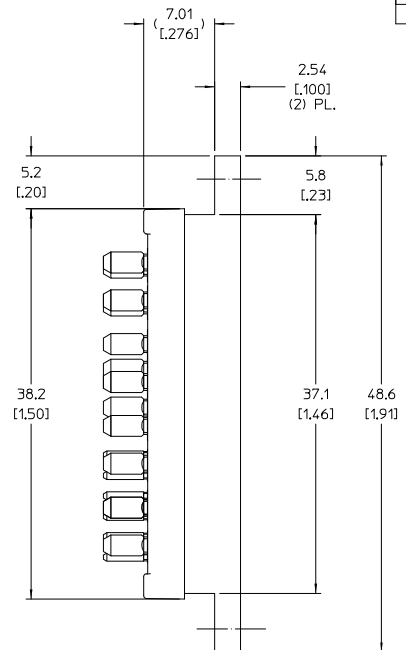
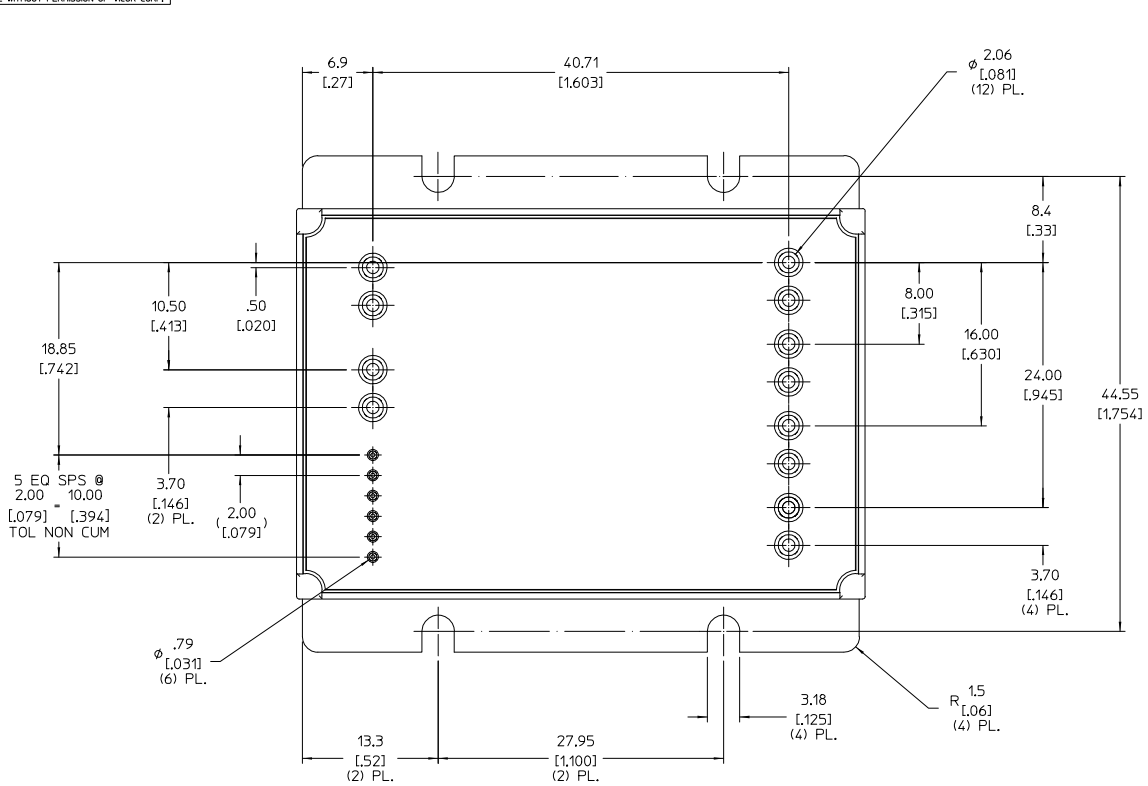
REV.	DESCRIPTION	DATE	APVD
SEE SHEET 1 OF 2			



DRAWN BY: J.E. ARNEY	DATE: 07/23/97		
<small>UNLESS OTHERWISE SPECIFIED DIMENSIONS ARE IN INCHES TOLERANCES ARE: DECIMALS: .005 FRACTIONS: 1/32 ANGLES: 30°</small>			
<small>THIRD ANGLE PROJECTION</small>		<b>PRODUCT OUTLINE DWG.</b> <b>VIBrick, DC/DC, FULL, FLANGED</b>	
SCALE: 4:1	SIZE: D 67131	DWG NO: 33960	REV: 3
DO NOT SCALE DRAWING		SHEET 2 OF 2	

VICOR CONFIDENTIAL  
 THIS DOCUMENT AND THE DATA DISCLOSED  
 HEREIN OR HEREWITH IS NOT TO BE REPRODUCED,  
 USED, OR DISCLOSED IN WHOLE OR IN PART  
 TO ANYONE WITHOUT PERMISSION OF VICOR CORP.

REV.	DESCRIPTION	DATE	APVD
1	RELEASED PER E080748	SA 4/16/08	REJH
2	REVISED PER E090348	AR 02/11/09	REJH
3	REVISED PER E091139g	JS 07/14/09	REJH



NOTE:

1. RoHS COMPLIANT PER CST-0001 LATEST REVISION.
2. PLATED THROUGH HOLES SHALL BE USED WITH VIBRICK STANDOFF KITS TO GROUND THE BASEPLATE TO THE CUSTOMERS PCB AND/OR COLD PLATE.

DRAWN BY: J.S. LARSEN	DATE: 07/23/07				
UNLESS OTHERWISE SPECIFIED: DIMENSIONS ARE IN INCHES TOLERANCES ARE: DECIMALS: ±0.005 FRACTIONS: ±0.0005 (MAY BE 0.001)					
THIRD ANGLE PROJECTION	SCALE: 4:1	SIZE: D	CAGE CODE: 67131	DWG NO: 33960	REV: 3
DO NOT SCALE DRAWING		PRODUCT OUTLINE DWG. VIBRICK, DC/DC, FULL, FLANGED		SHEET 1 OF 2	