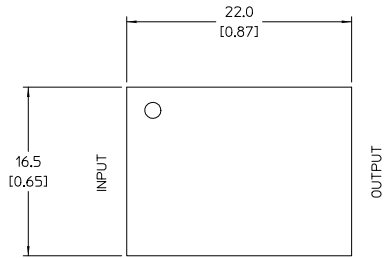


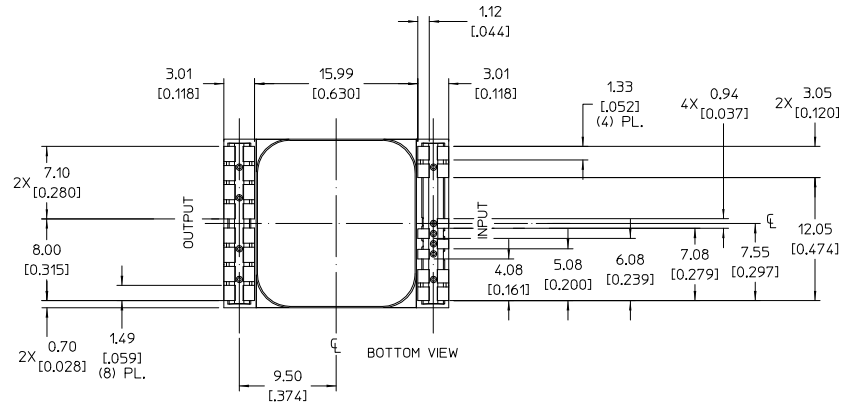
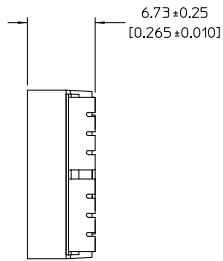
VICOR CONFIDENTIAL

THIS DOCUMENT AND THE DATA DISCLOSED HEREIN OR HEREWITH IS NOT TO BE REPRODUCED, USED, OR DISCLOSED IN WHOLE OR IN PART TO ANYONE WITHOUT PERMISSION OF VICOR CORP.

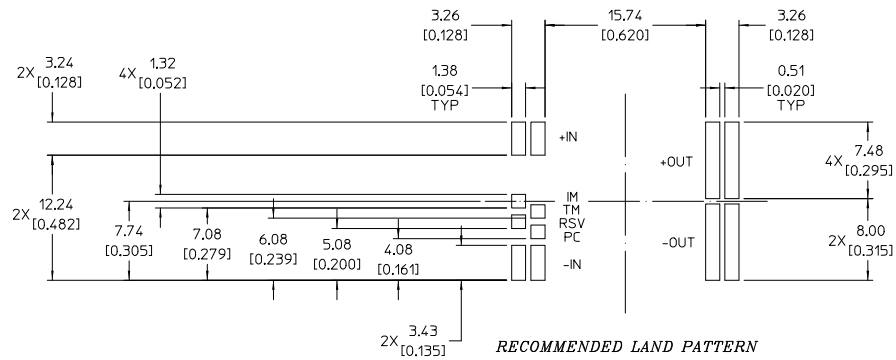
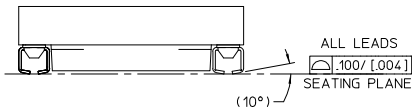
REV.	DESCRIPTION	DATE	APVD
1	DOCUMENT RELEASED PER E0912130	JS 07/31/09	REJH
2	DOCUMENT RELEASED PER E091826	JS 10/12/09	REJH



TOP VIEW (COMPONENT SIDE)



BOTTOM VIEW



RECOMMENDED LAND PATTERN
(COMPONENT SIDE SHOWN)

NOTE:

1. RoHS COMPLIANT PER CST-0001 LATEST REVISION

DRAWN BY R.L. JIMENEZ CHECKED BY DATE 01/21/07 UNLESS OTHERWISE SPECIFIED DIMENSIONS ARE IN INCHES TOLERANCES ARE: DECIMALS ±0.005 FRACTIONS ±0.0005 HOLE DIA ±0.0015 HOLE DIA ±0.0015 HOLE DIA ±0.0015	DATE 01/21/07 SCALE 4:1 SHEET 1 OF 1		J-LEAD 1/2 BCM PKG2 PRODUCTION OUTLINE	SIZE D CAGE CODE 67131 DWG NO 33491 REV 2
---	---	--	---	--