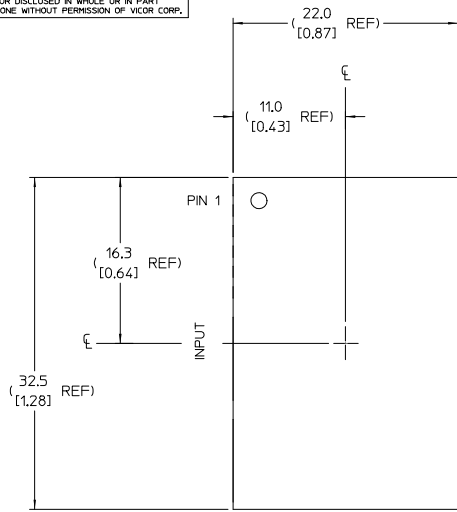
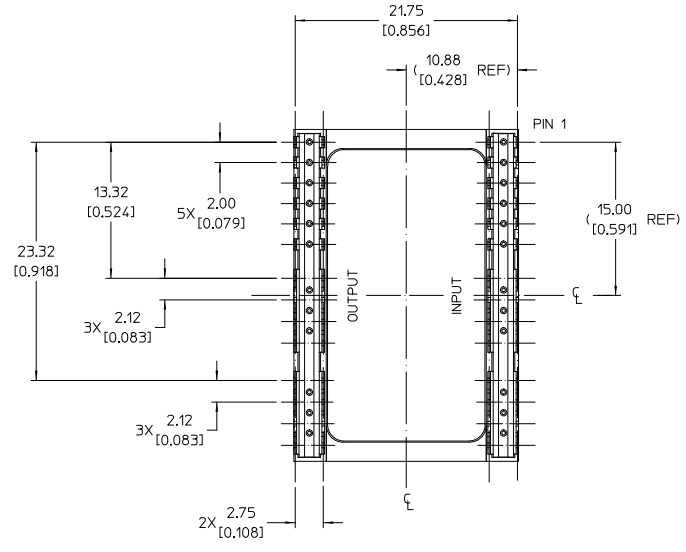
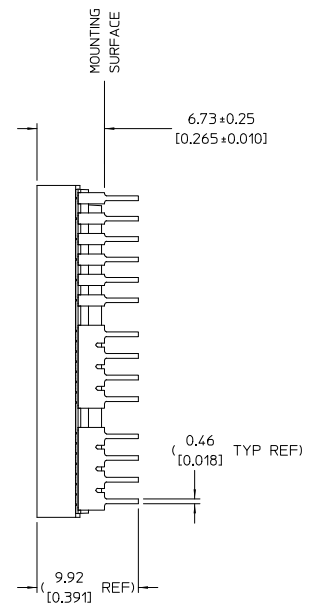


VICOR CONFIDENTIAL
 THIS DOCUMENT AND THE DATA DISCLOSED
 HEREIN OR HEREWITH IS NOT TO BE REPRODUCED,
 USED, OR DISCLOSED IN WHOLE OR IN PART
 TO ANYONE WITHOUT PERMISSION OF VICOR CORP.

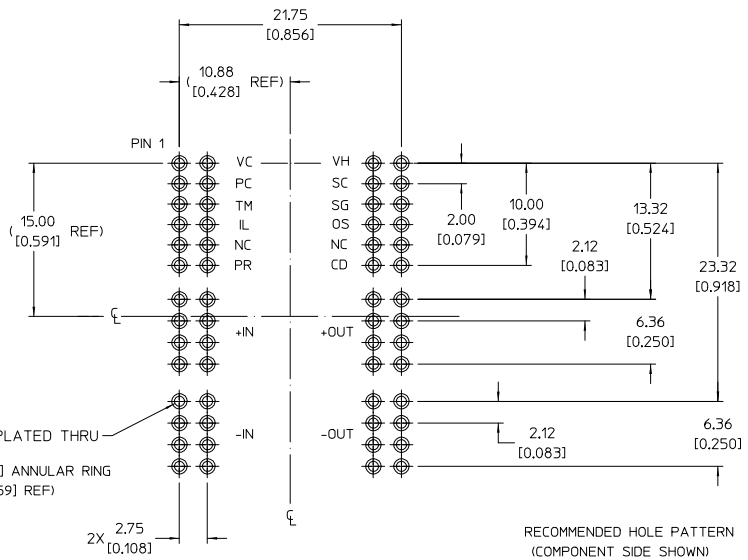
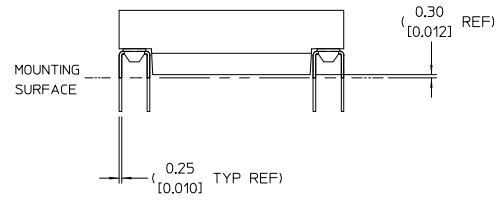
REV.	DESCRIPTION	DATE	APVD
1	RELEASED PER E080738	SA 4/11/08	REJH
2	REVISED PER E090393	GCK 02/24/09	REJH
3	REVISED PER E090487b	EM 03/19/09	RH



TOP VIEW (COMPONENT SIDE)



BOTTOM VIEW



RECOMMENDED HOLE PATTERN (COMPONENT SIDE SHOWN)

- NOTES:
1. DIMENSIONS ARE MM [INCH]
 2. UNLESS OTHERWISE SPECIFIED TOLERANCES ARE:
 .XX [X.XX] = ±0.25 [0.01]
 .XXX [X.XXX] = ±0.13 [0.005]
 3. RoHS COMPLIANT PER CST-0001 LATEST REVISION

DRAWN BY R.E. WILKEY DATE 07/19/09 UNLESS OTHERWISE SPECIFIED DIMENSIONS ARE IN MILLIMETERS TOLERANCES ARE: FRACTIONS DECIMALS ANGLES XXX .XX .X .X .X XXX .XX .X .X .X	
THIRD ANGLE PROJECTION 	TH-LEAD, PRM (AL) OUTLINE
SIZE D SCALE 4:1	PSCM NO. 67131 DWS NO. 32938 SHEET 1 OF 1