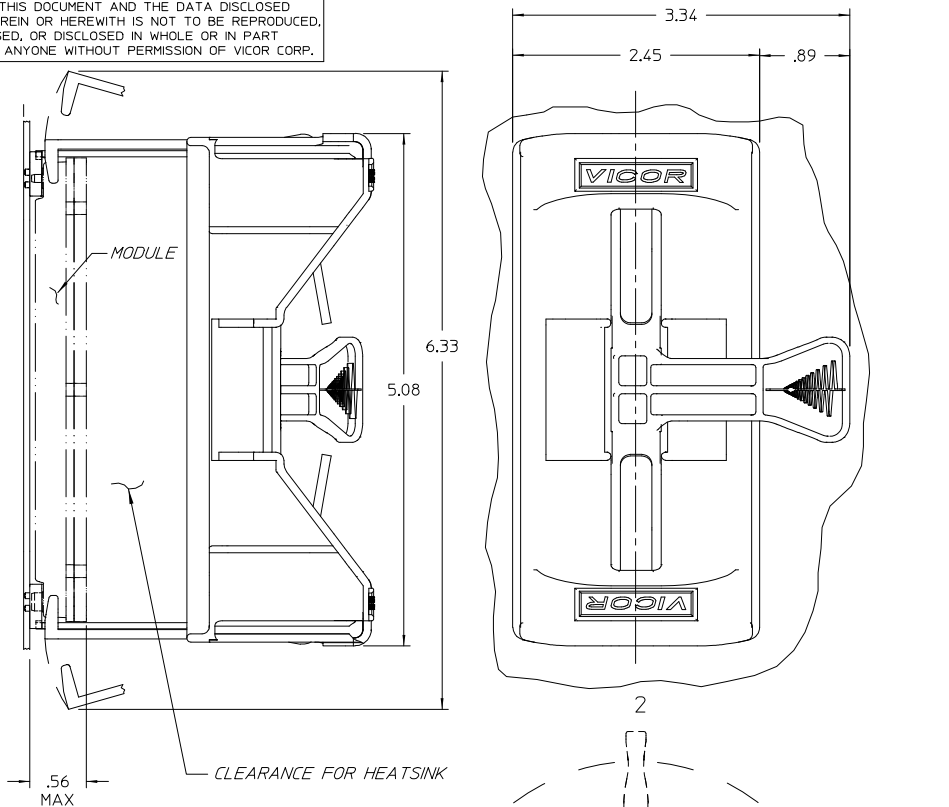


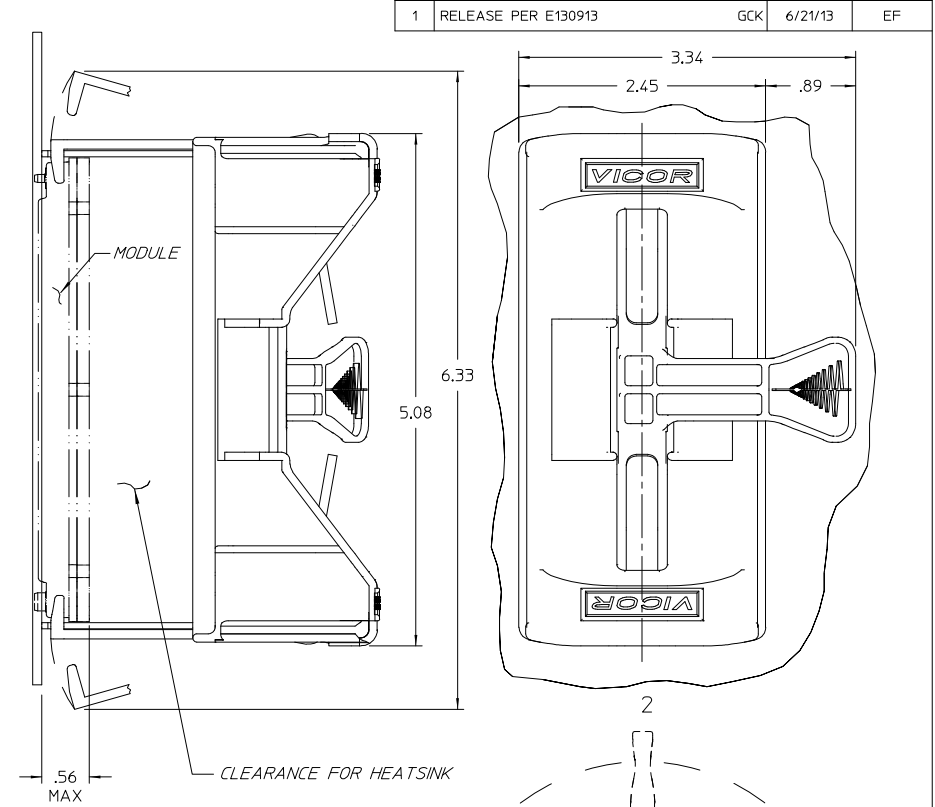
VICOR CONFIDENTIAL

THIS DOCUMENT AND THE DATA DISCLOSED HEREIN OR HERewith IS NOT TO BE REPRODUCED, USED, OR DISCLOSED IN WHOLE OR IN PART TO ANYONE WITHOUT PERMISSION OF VICOR CORP.

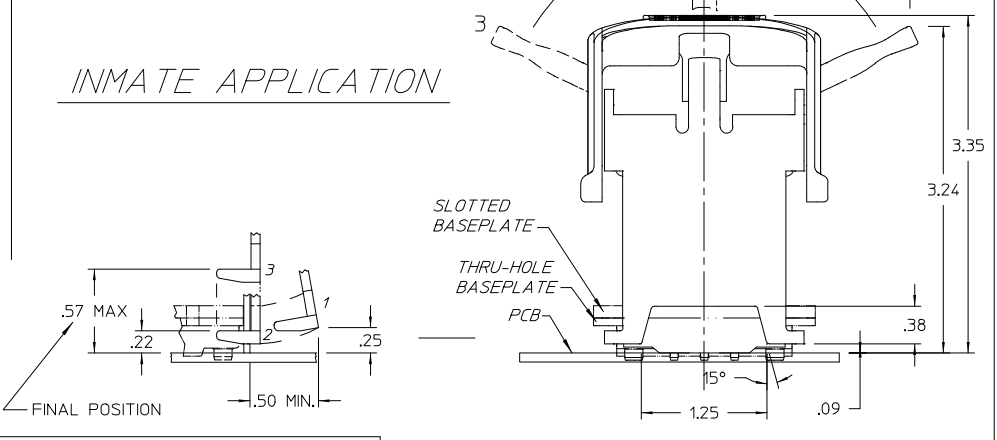
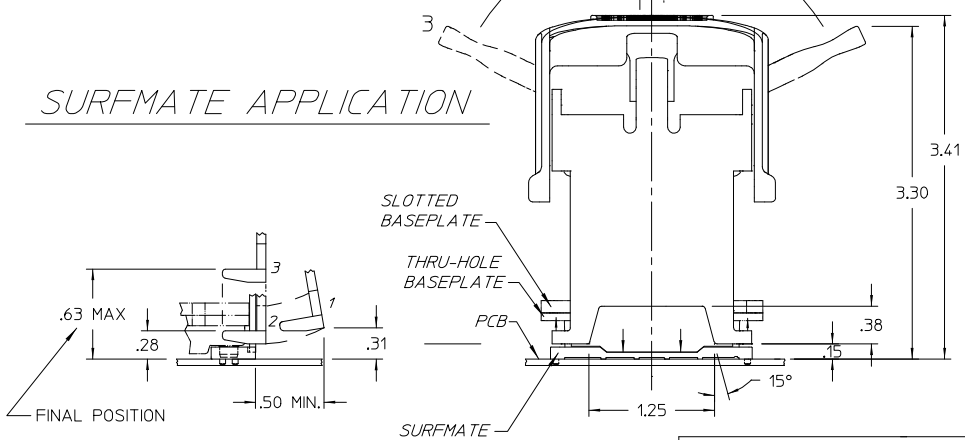
REV.	DESCRIPTION	DATE	APPROVED
1	RELEASE PER E130913	GCK 6/21/13	EF



SURFMATE APPLICATION



INMATE APPLICATION



- NOTES:
- MATERIAL:
 FRAME & HOOKS: 1020 CRS
 HANDLE, CAMS, & CAM BLOCKS: PPS RYTON R4 (BLACK)
 COVER: URETHANE, BRS 200 (BLACK)
 - ALL DIMENSIONS ARE INCH.
 - HOOK TRAVEL WORKS WITH ALL MODULE APPLICATIONS. SEE TABLE.
 - RoHS COMPLIANT PER CST-0001 LATEST REVISION.

Acceptable Applications						
Mounting Style	Pin Style	Baseplate Type			Heatsink Type	
		Slot	Thru	Threaded	Thru	Threaded
In-Board (InMATE)	I	X	X	X	X	X
On-Board (InMATE)	I	X	X	X	X	X
	II	X	X	X	X	X
Surface Mount (SurfMATE)	I	X	X	X	X	X

DRAWN BY
LAP NGUYEN

DATE
11/00

UNLESS OTHERWISE SPECIFIED DIMENSIONS ARE IN INCHES. TOLERANCES ARE:
 FRACTIONS DECIMALS ANGLES
 +1/64 .XX+ .01 °1°
 .XXX-.005 °1°

THIRD ANGLE PROJECTION

DO NOT SCALE DRAWING

VICOR

APPS DWG, VI-900
MODULE EXCHANGE TOOL

SIZE	FSCM NO.	DWG NO.	REV
C	67131	23283	1
SCALE	1:1	SHEET 1 OF 1	