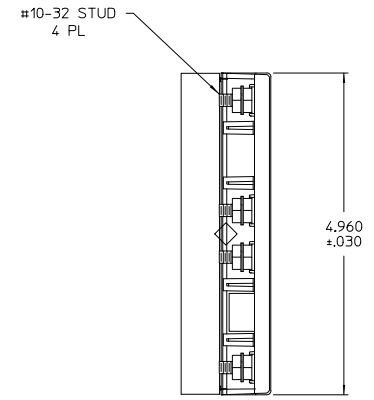
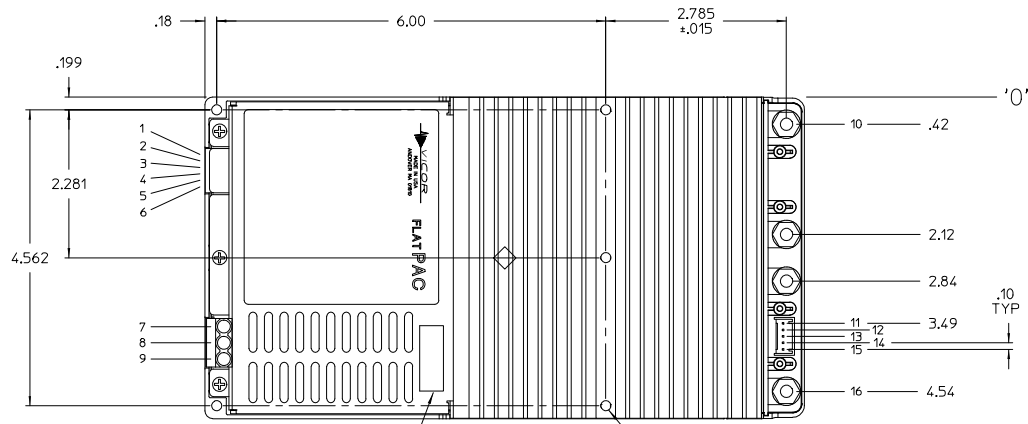
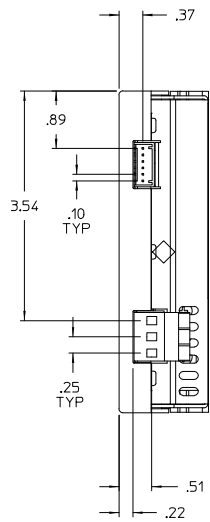
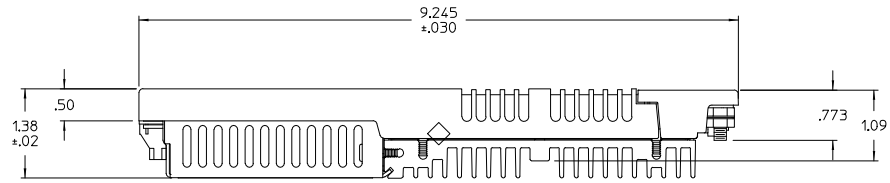


VICOR CONFIDENTIAL

THIS DOCUMENT AND THE DATA DISCLOSED
HEREIN OR HEREWITH IS NOT TO BE REPRODUCED,
USED, OR DISCLOSED IN WHOLE OR IN PART
TO ANYONE WITHOUT PERMISSION OF VICOR CORP.

REV.	DESCRIPTION	DATE	APVD
01	RELSO- E96047	9/18/96	DPK
2	REVISED PER E120459	5/29/12	ML

- 1 MOD DIS -
- 2 MOD DIS +
- 3 AC OK -
- 4 AC OK +
- 5 BUS OK -
- 6 BUS OK +
- 7 AC IN L1
- 8 AC IN L2/N
- 9 CHASSIS GND
- 10 + OUT
- 11 + OUT SENSE
- 12 + SENSE
- 13 TRIM
- 14 - SENSE
- 15 - OUT SENSE
- 16 - OUT



ADD COMPLIANCE WARNING LABEL 05175

Ø.15 THRU HOLE FOR #6-32 SCREW TORQUED @ 8 IN LBS 5 PLACES

SINGLE OUTPUT
'M' CONFIGURATION

<small>DRAWN BY</small> O. BUIZOVIC <small>DATE</small> 6/29/96 <small>UNLESS OTHERWISE SPECIFIED</small> <small>DIMENSIONS ARE IN INCHES</small> <small>TOLERANCES ARE</small> <small>FRACTIONS DECIMALS ANGLES</small> <small>XXX ±.01 ±.01 ±°</small> <small>XXX ±.005 ±.005 ±°</small>	
<small>THIRD ANGLE PROJECTION</small> 	<small>OUTLINE DRAWING, 400 W</small> <small>A/R FLATPAC M CONFIG</small>
<small>SCALE</small> FULL	<small>SIZE</small> D <small>FIG. NO.</small> 67131 <small>DWG. NO.</small> 14525 <small>REV.</small> 2 <small>SHEET</small> 1 OF 1