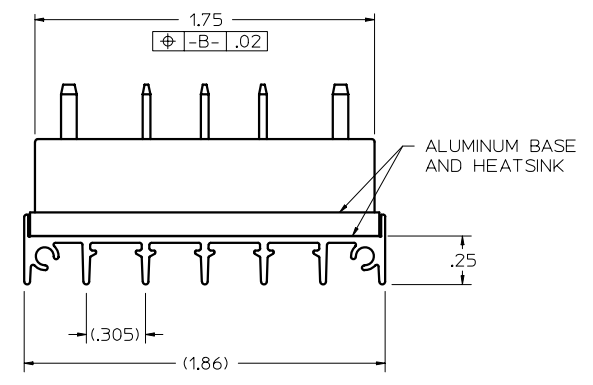
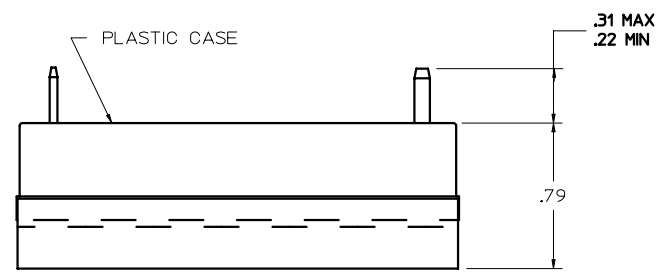
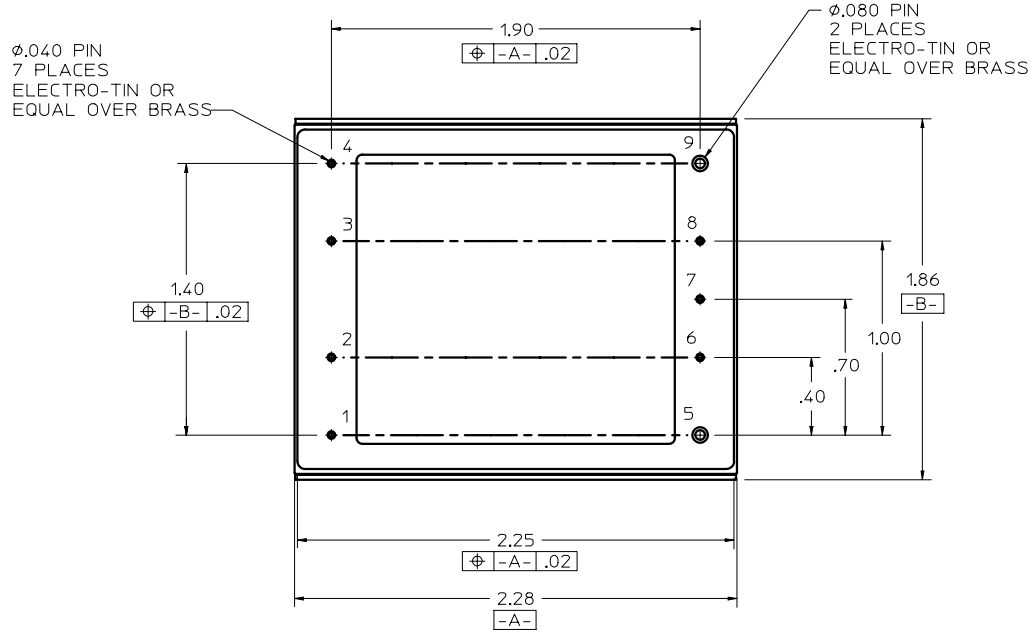


VICOR CONFIDENTIAL
 THIS DOCUMENT AND THE DATA DISCLOSED
 HEREIN OR HEREWITH IS NOT TO BE REPRODUCED,
 USED, OR DISCLOSED IN WHOLE OR IN PART
 TO ANYONE WITHOUT PERMISSION OF VICOR CORP.

REV.	DESCRIPTION	DATE	APPROVED
1	RELEASE PER E910657	BJR 11/25/91	WWP
02	REVSD PER E950374	RCM 8/2/95	DPK



PIN FUNCTIONS

PIN #	MINI-MOD VI-JXX-XX-F1	RAM VI-RAM-XX-F1	IAM VI-AXX-XX-F1	AIM VI-AIM-XX-F1
1	+IN	+IN	+IN	L1
2	GATE IN	+SENSE IN	+IN	NO CONNECTION
3	GATE OUT	-SENSE IN	-IN	NO CONNECTION
4	-IN	-IN	-IN	L2/N
5	+OUT	+OUT	+OUT	+OUT
6	+SENSE OUT	+SENSE OUT	GATE OUT	GATE IN
7	TRIM	NC	PAR	PAR
8	-SENSE OUT	-SENSE OUT	GATE IN	GATE OUT
9	-OUT	-OUT	-OUT	-OUT

<small>UNLESS OTHERWISE SPECIFIED TOLERANCES ARE:</small> FRACTIONS DECIMALS ANGLES ± 1/64 JOX ± .01 ± 90 JOOX ± .005	APPROVALS B.J. REEVES	DATE 10/91	
	THIRD ANGLE PROJECTION 		
DO NOT SCALE DRAWING	SIZE (FSC) NO. C 67131	DWG. NO. 06183	REV. 02
SCALE 2X	SHEET 1 OF 1		