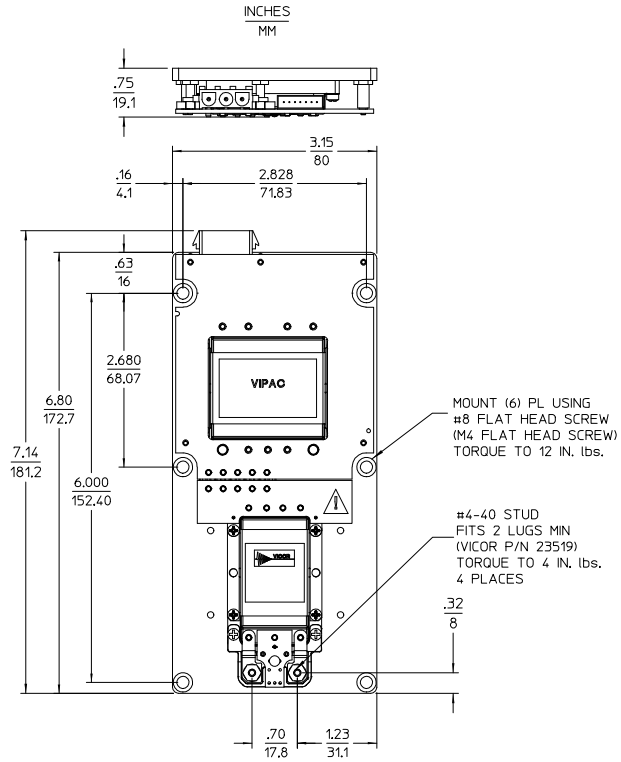


THIS DOCUMENT AND THE DATA DISCLOSED HEREIN OR HEREWITH IS NOT TO BE REPRODUCED, USED, OR DISCLOSED IN WHOLE OR IN PART TO ANYONE WITHOUT PERMISSION OF VICOR CORP.

REV.	DESCRIPTION	DATE	APVD
#1	DRAWN FOR DEVELOPMENT	AK 4/19/01	GCK
#2	REVSD PER MRKUP	AK 07/31/01	GCK
#3	REVSD PER MRKUP	AK 12/05/01	GCK
#4	ADDED SHEET 2	AK 08/09/02	GCK
#5	ADDED MISSING DMS	DPK 03/13/03	AK
#6	REVSD PER MRKUP	AK 05/12/05	GCK

CONFIGURATION 'G'

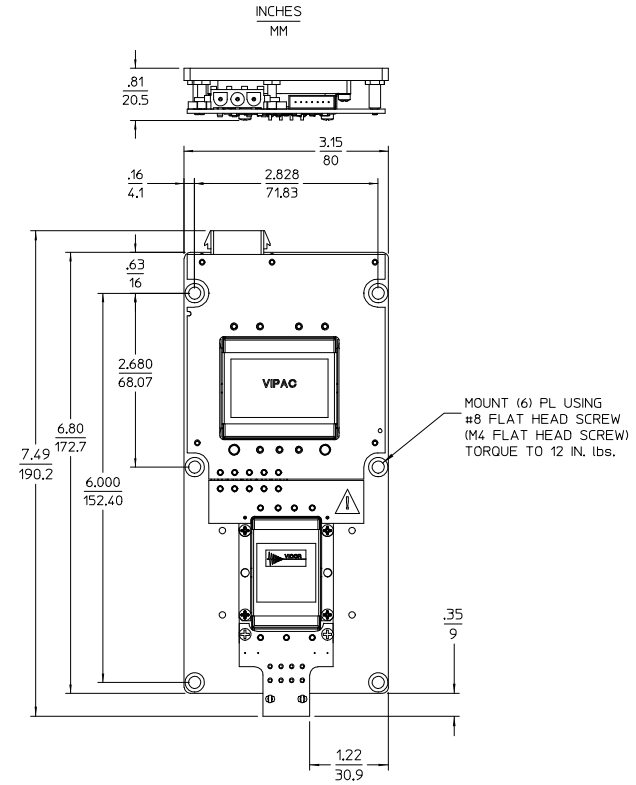
COLDPLATE VERSION SHOWN
SINGLE OUTPUT
WITH LUGMATE



TOLERANCES: $\frac{.XX}{MM} = \frac{.02}{.5}$ $\frac{.XXX}{MM} = \frac{.010}{.25}$

CONFIGURATION 'G'

COLDPLATE VERSION SHOWN
SINGLE OUTPUT
WITH PLUGMATE



TOLERANCES: $\frac{.XX}{MM} = \frac{.02}{.5}$ $\frac{.XXX}{MM} = \frac{.010}{.25}$

DRAWN BY A. ARDMAN	DATE 4/19/01				
<small>UNLESS OTHERWISE SPECIFIED DIMENSIONS ARE IN INCHES TOLERANCES ARE: FRACTIONS DECIMALS ANGLES XXX +.01 -0 XX .005</small>					
THIRD ANGLE PROJECTION		SIZE D	PSCM NO. 67131	DWG NO. 21231	REV #6
DO NOT SCALE DRAWING		SCALE 1:1	SHEET 1		OF 1

OUTLINE DRAWING
VIPAC CONFIG "G" (DC)