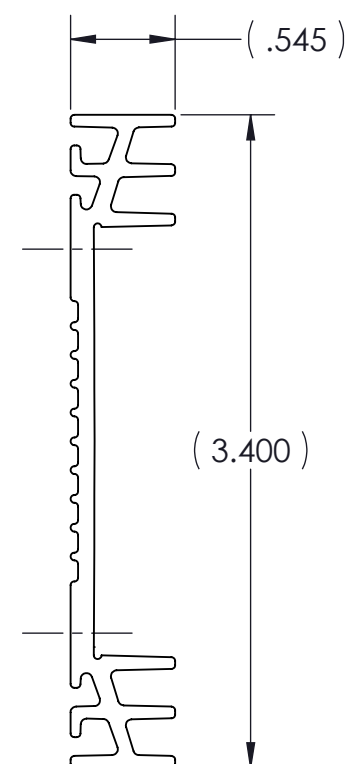
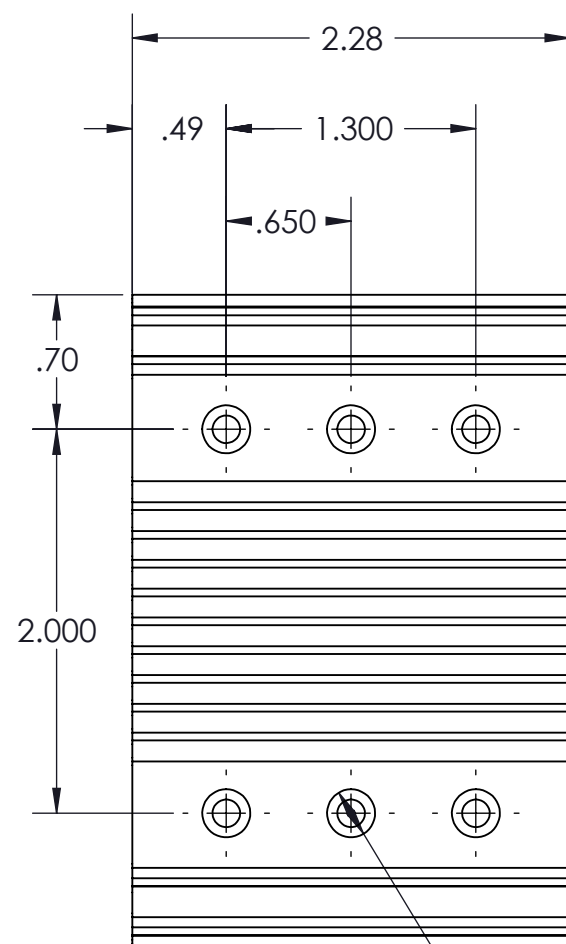


VICOR CONFIDENTIAL

THIS DOCUMENT AND THE DATA DISCLOSED HEREIN OR HEREWITH IS NOT TO BE REPRODUCED, USED OR DISCLOSED IN WHOLE OR IN PART TO ANYONE WITHOUT THE PERMISSION OF VICOR CORP.

REVISIONS

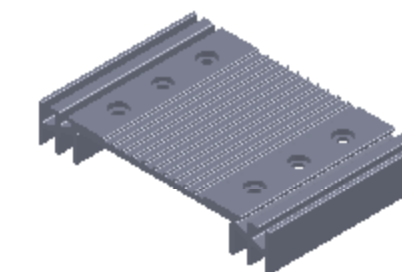
REV	DESCRIPTION	DATE	APPROVED
1	RELEASED PER E063557	01/11/06	ECF
2	REVISED PER E090847	05/19/09	REJH
3	REDRAWN PER E100903	7/14/10	KUK



\varnothing .143/.149 (#27) THRU
 \varnothing .250 C'BORE X .070 DP
 (6) PL.

NOTES:

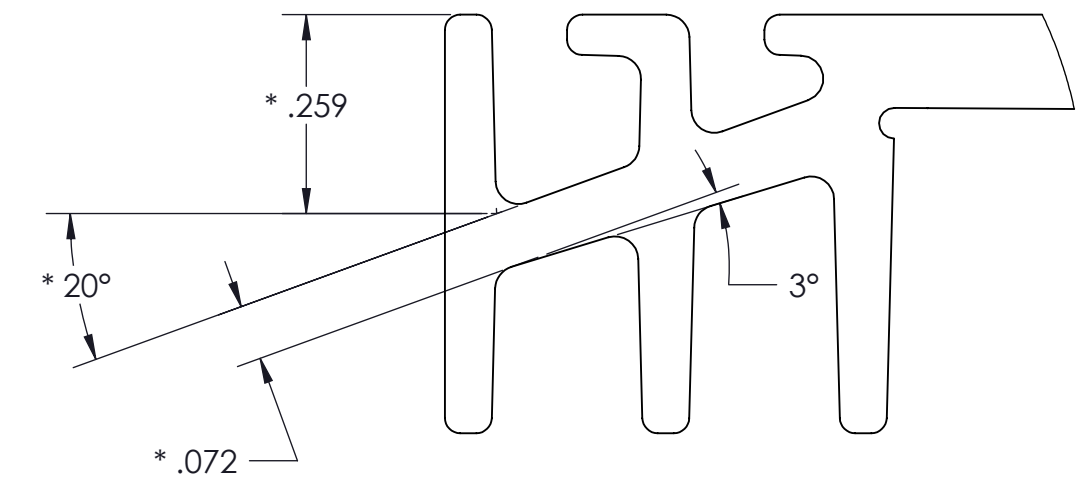
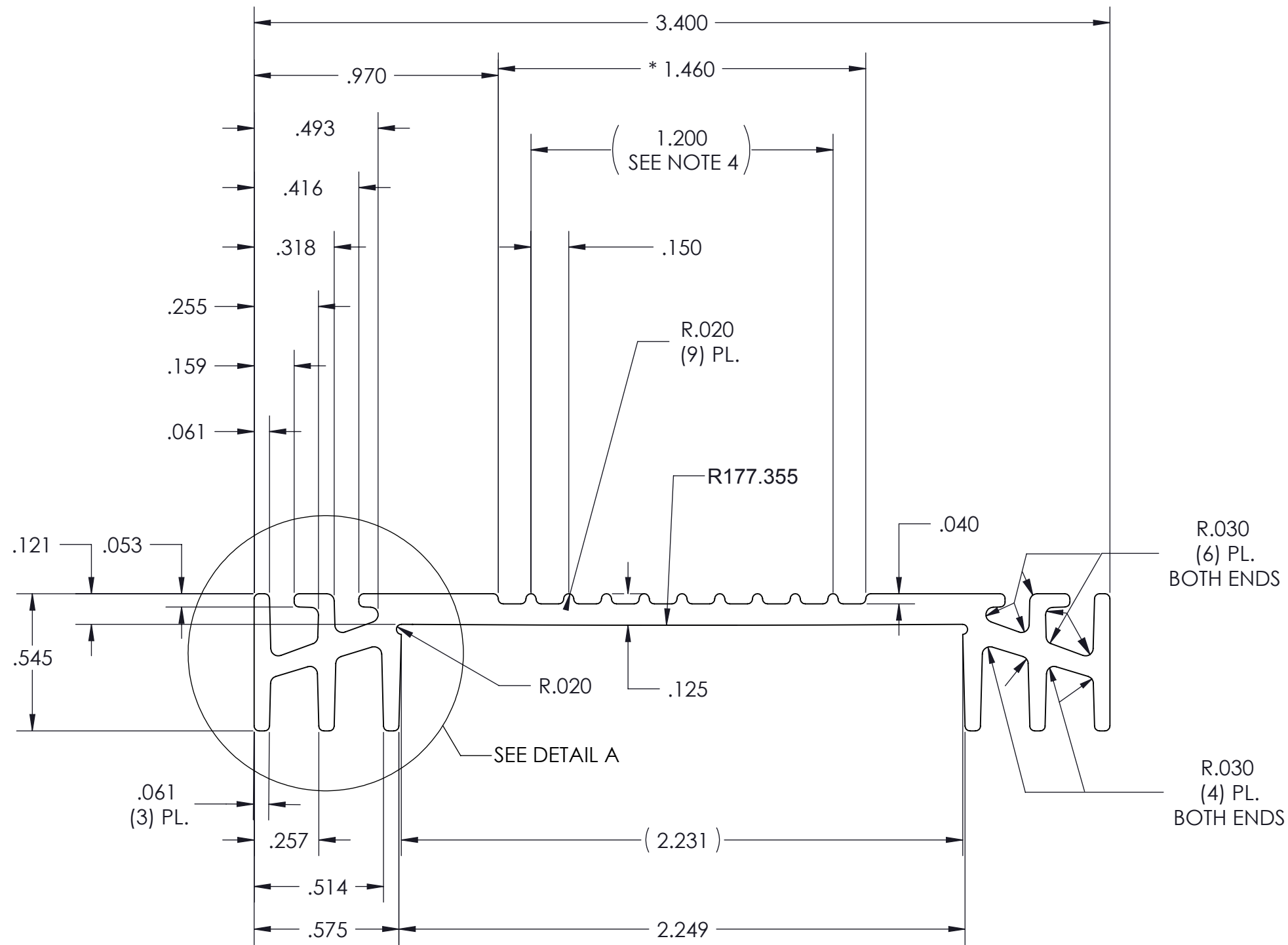
1. MATERIAL: EXTRUSION, SEE SHEET 2 OF 2.
2. REMOVE ALL LOOSE AND HANGING BURRS, OTHERWISE, BURRS SHALL NOT EXCEED .003.
3. CLEAR FINISH, RoHS COMPLIANT CHROMIUM FREE PER CST-0001 LATEST REVISION.
4. \varnothing DENOTES CRITICAL CHARACTERISTIC FOR LOT INSPECTION.
5. DIMENSIONS ARE INCHES ONLY.



DRAWN	DATE					
P.E.IENI	12/15/05					
UNLESS OTHERWISE SPECIFIED DIMENSIONS ARE INCH [MM] TOLERANCES ARE: DECIMALS ANGLES X.XX [X.X] = ±0.01 [0.25] ±1° X.XXX [X.XX] = ±0.005 [0.127]		HEATSINK, LOW PROFILE 3.40 W X 2.28 LG (MINI)				
MATERIAL	FINISH	THIRD ANGLE PROJECTION	SIZE	CAGE CODE	DWG NO	REV
SEE NOTES	SEE NOTES		C	67131	32190	3
DO NOT SCALE DRAWING			SCALE 1 : 1		SHEET 1 OF 2	

THIS DOCUMENT AND THE DATA DISCLOSED HEREIN OR HEREWITH IS NOT TO BE REPRODUCED, USED OR DISCLOSED IN WHOLE OR IN PART TO ANYONE WITHOUT THE PERMISSION OF VICOR CORP.

REV	DESCRIPTION	DATE	APPROVED
	SEE SHEET 1 OF 2		



DETAIL A
SCALE 2:1

PROFILE COMON FOR
30096
32190

NOTES:

- MATERIAL: ALUMINUM 6060-T5.
- *DENOTES DIMENSION TO THEORETICAL SHARP CORNER.
- DIMENSIONS SHOWN CAN BE USED ON OPPOSITE ENDS AS NEEDED.
- (8) EQUAL SPACES @ .150= 1.200 (TOL. TO BE NON-CUMULATIVE).
- UNLESS OTHERWISE SPECIFIED:
 - A. DRAFT ANGLES TO BE 1.5 DEGREES.
 - B. RADII TO BE .020.
- DIMENSIONS ARE INCHES ONLY.

DRAWN	DATE	VICOR SWD			
J SARIPELLA	05/19/09	HEATSINK, MAXI LOW PROFILE 3.40W X 2.28LG (MINI), EXTRUSION			
MATERIAL	UNLESS OTHERWISE SPECIFIED DIMENSIONS ARE INCH [MM] TOLERANCES ARE: DECIMALS ANGLES X.XX [X.X] = ±0.01 [0.25] ±1° X.XXX [X.XX] = ±0.005 [0.127]	SIZE	CAGE CODE	DWG NO	REV
SEE NOTES		C	67131	32190	3
FINISH	THIRD ANGLE PROJECTION	SCALE 2 : 1		SHEET 2 OF 2	
SEE NOTES	