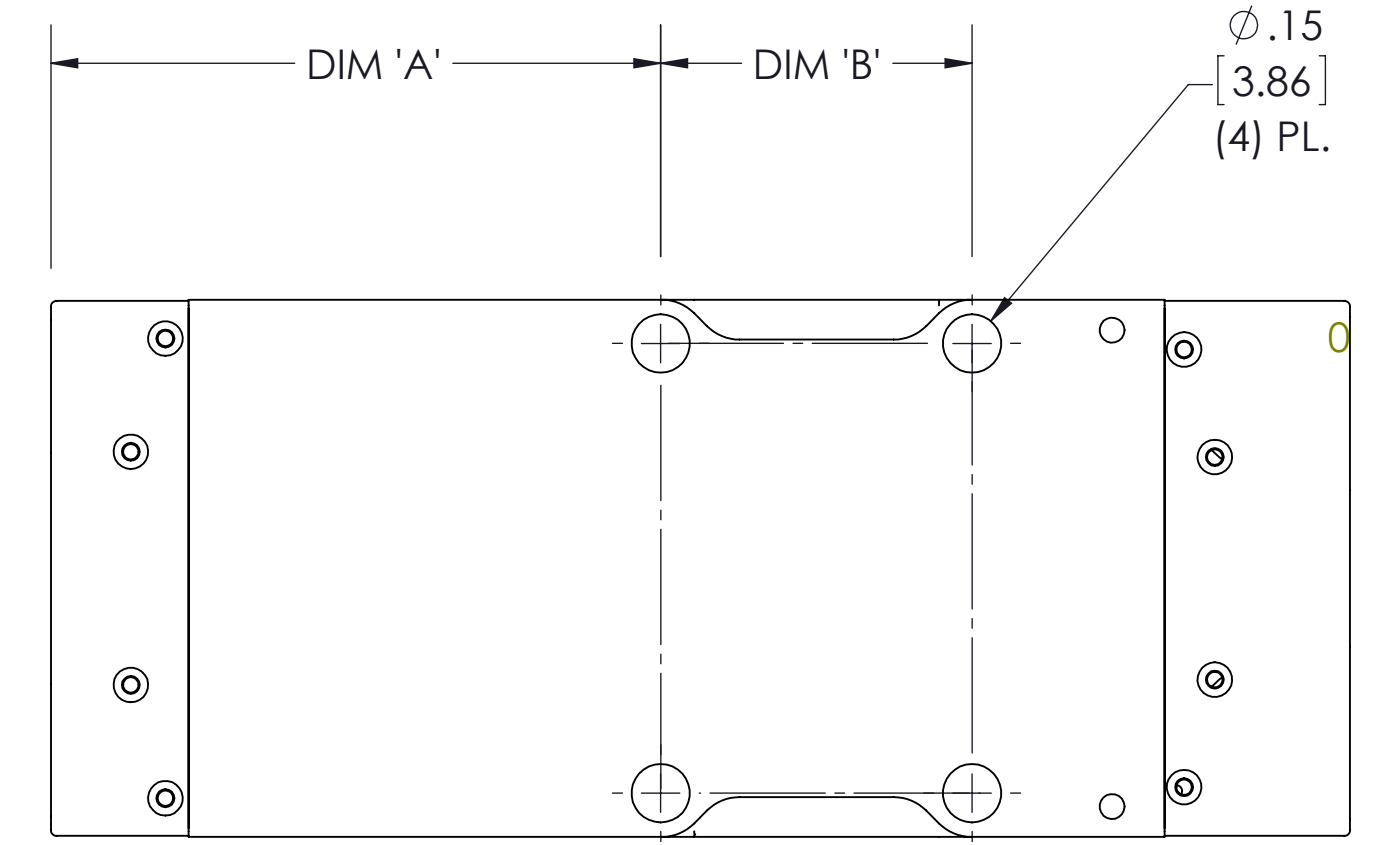
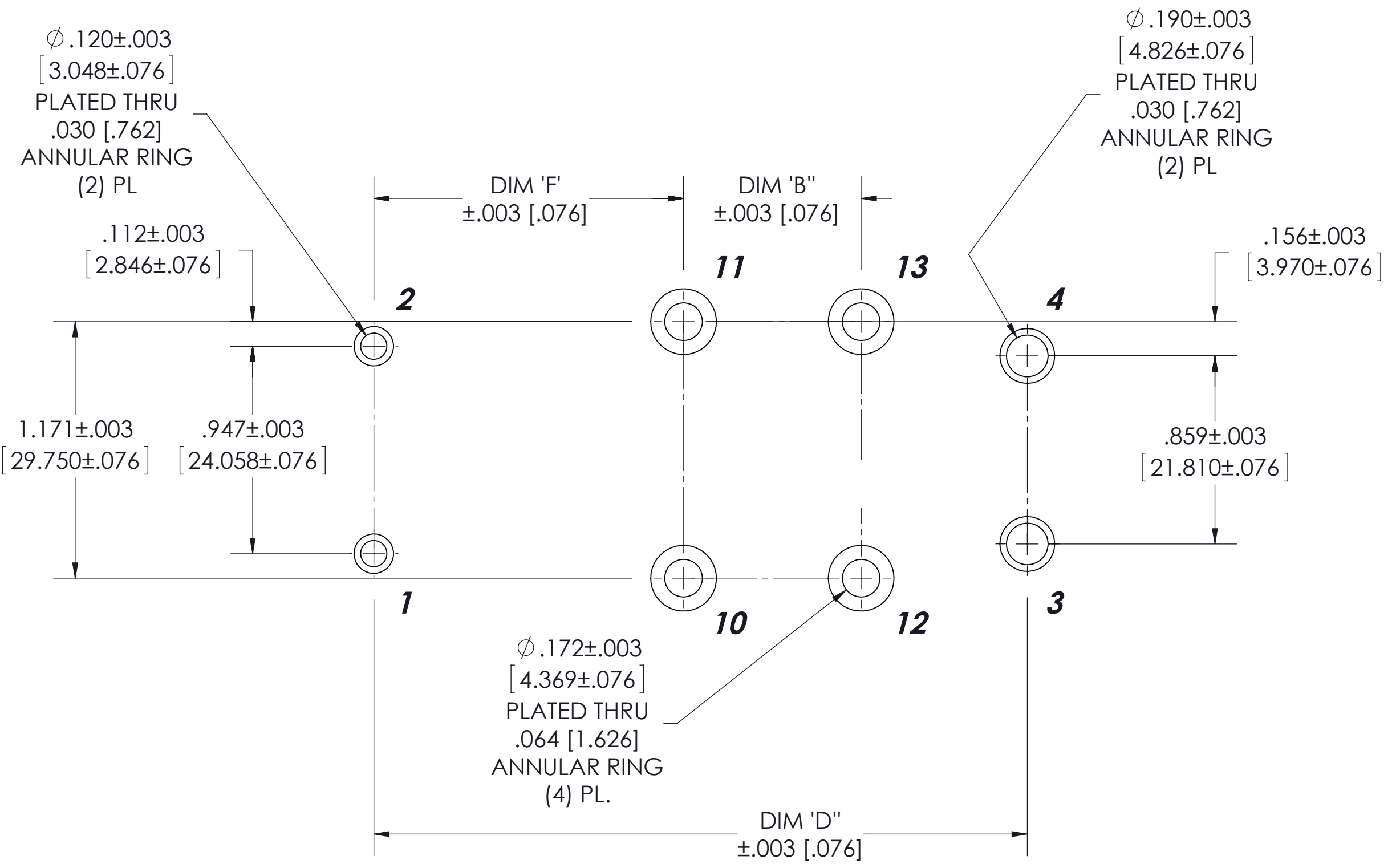


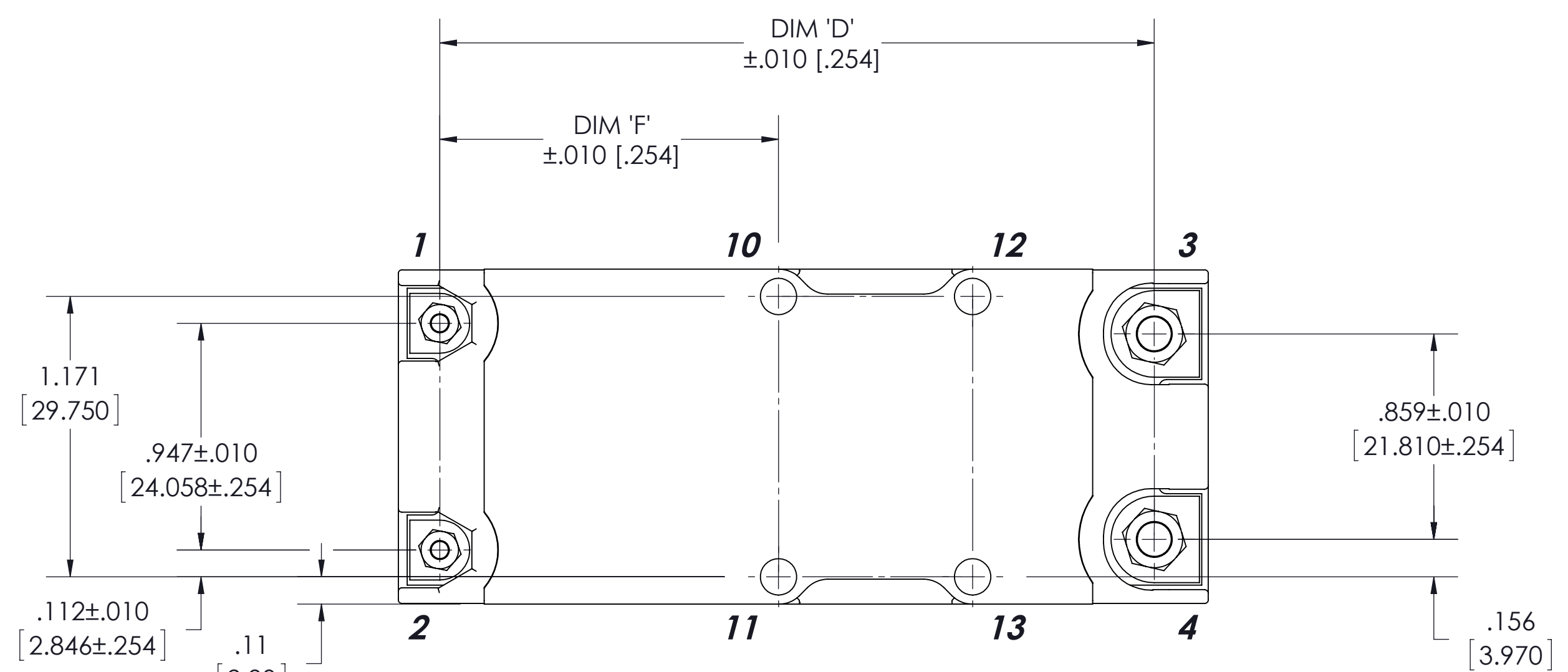
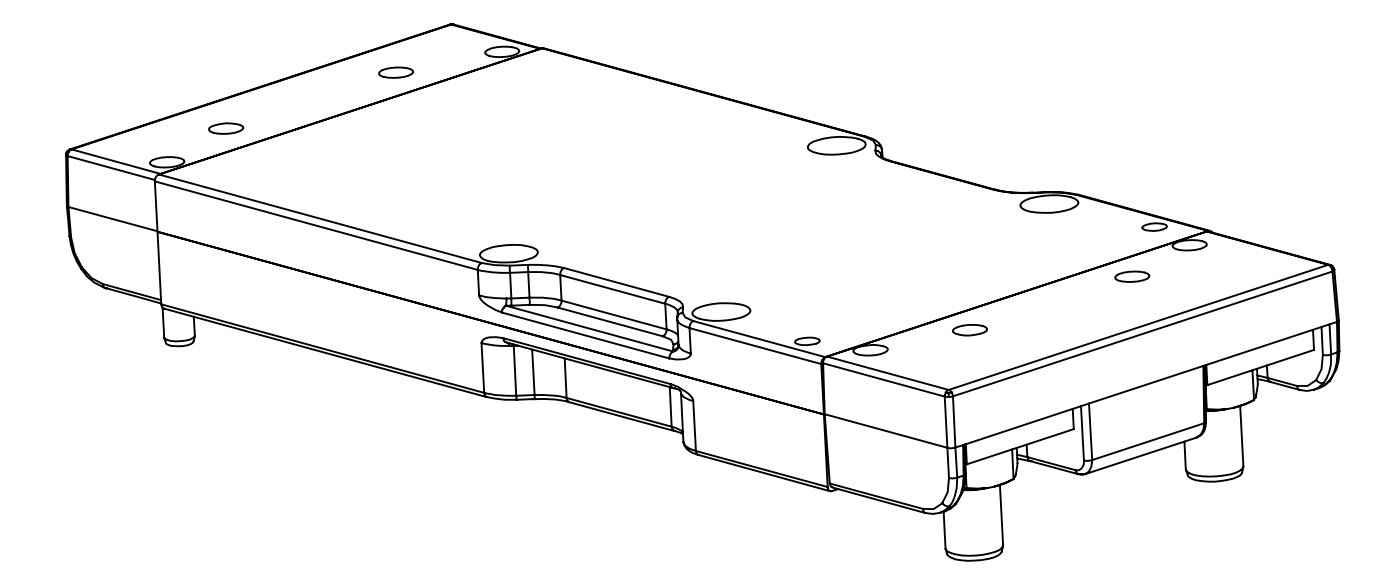
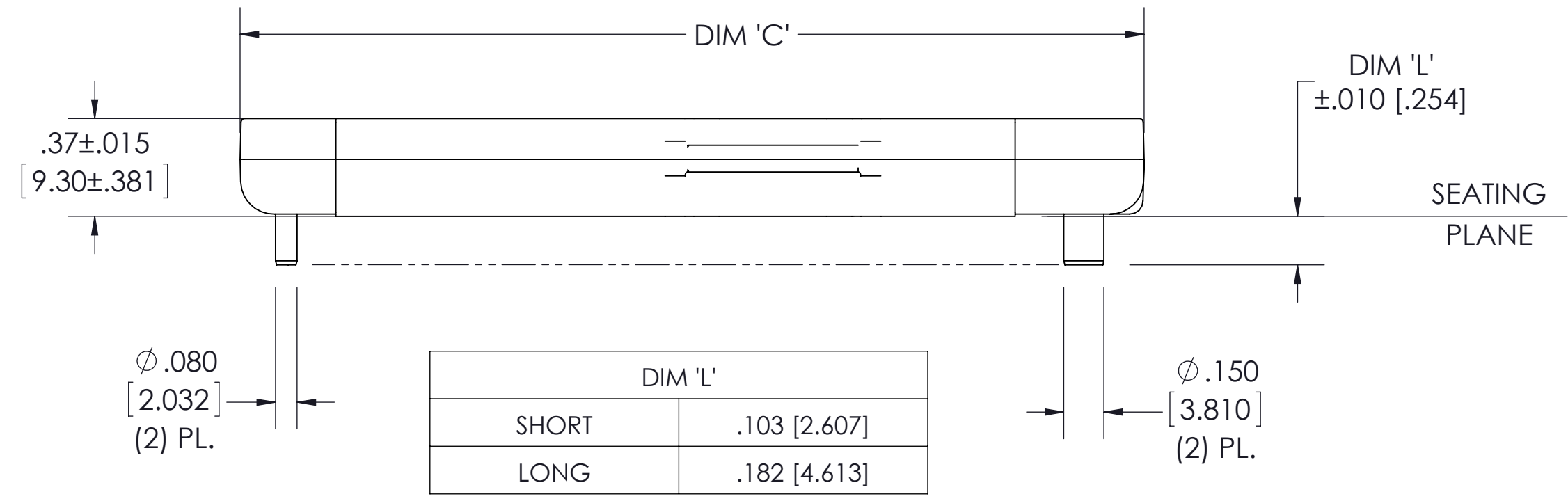
REV.	DESCRIPTION	INTL	DATE	APVD
1	RELEASED PER E150329	GCK	03/27/15	YN
2	REVISED PER E150505	ESD	05/08/15	REJH
3	REVISED PER E150672	AWT	06/19/15	REJH
4	REVISED PER E150763	JF	07/22/2015	AWT



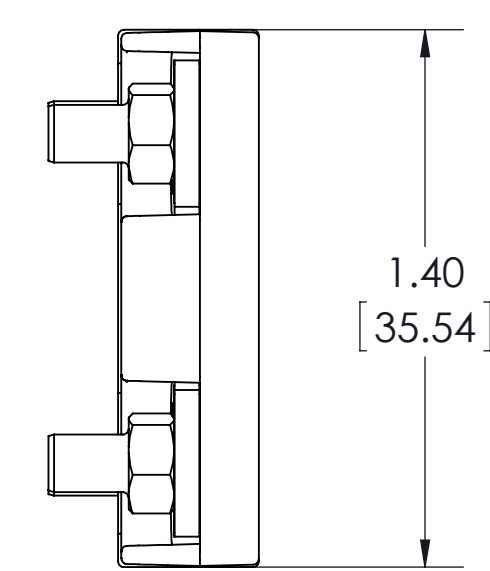
TOP VIEW
(COMPONENT SIDE)



RECOMMENDED HOLE PATTERN
(COMPONENT SIDE)



BOTTOM VIEW



PRODUCT	DIM 'A'	DIM 'B'	DIM 'C'	DIM 'D'	DIM 'F'
2414 (0 STAGE) 2223	1.13 [28.70]	NA	2.38 [60.42]	1.984 [50.384]	.957 [24.304]
2814 (1 STAGE) 2223	1.59 [40.34]	NA	2.84 [72.05]	2.442 [62.017]	1.415 [35.945]
2914 (0 STAGE) 3623	1.13 [28.70]	.811 [20.593]	2.93 [74.30]	2.529 [64.236]	.957 [24.304]
3414 (1 STAGE) 3623	1.59 [40.34]	.811 [20.593]	3.38 [85.93]	2.988 [75.897]	1.415 [35.945]
3714 (1 STAGE) 4623	1.61 [40.93]	1.150 [29.200]	3.75 [95.13]	3.350 [85.092]	1.439 [36.554]
4414 (1 STAGE) 6123	1.61 [40.93]	1.757 [44.625]	4.35 [110.55]	3.957 [100.517]	1.439 [36.554]
4914 (2 STAGE) 6123	2.17 [55.15]	1.757 [44.625]	4.91 [124.77]	4.517 [114.741]	1.999 [50.777]
5614 (1 STAGE) 9223	1.61 [40.93]	2.970 [75.445]	5.57 [141.37]	5.171 [131.337]	1.439 [36.554]

- NOTES:
- 1- RoHS COMPLIANT PER CST-0001 LATEST REVISION.
 - 2- SEE PRODUCT DATA SHEET FOR PIN DESIGNATIONS.

DRAWN BY R.E.J. Hickey	DATE 1/26/2015			SWD	
UNLESS OTHERWISE SPECIFIED DIMENSIONS ARE: INCH / [MM]		PROD OUTL PCB MNT ALWAYS ON ADAPTER			
TOLERANCES ARE: DECIMALS ANGLES X.XXX [X.XXX] ±.01 [0.25] 11° X.XXX [X.XXX] ±.005 [0.127]					
THIRD ANGLE PROJECTION 	SCALE 2:1	SIZE D	CAGE CODE 67131	DWG NO 42015	REV 4
DO NOT SCALE DRAWING		SHEET 1 OF 1			