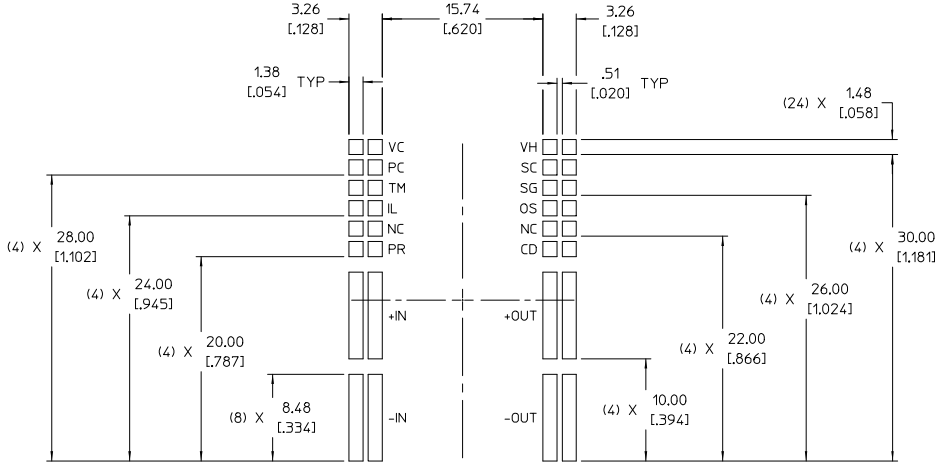
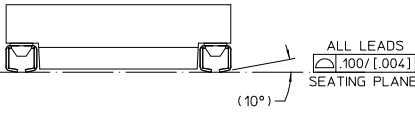
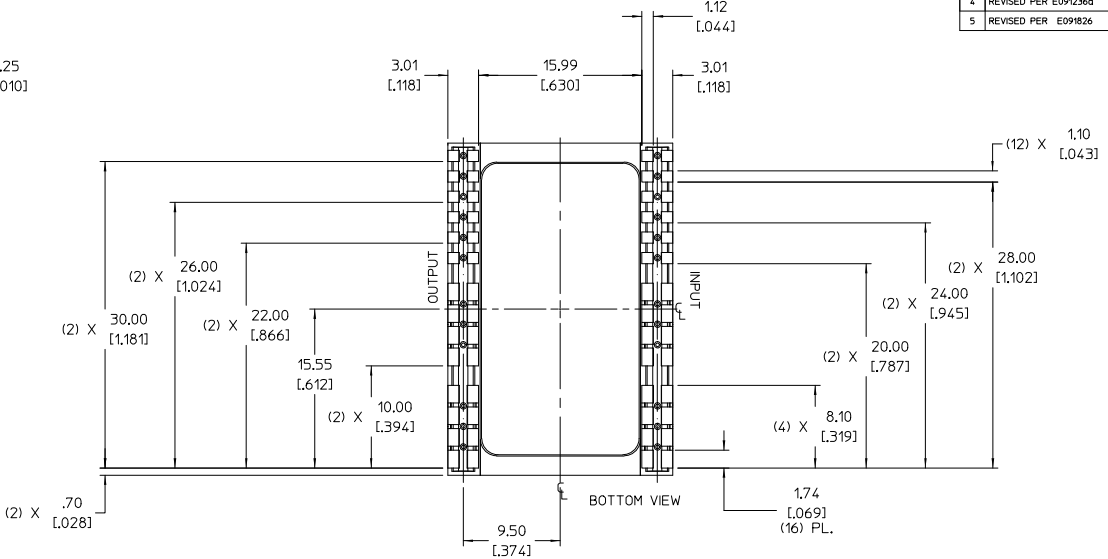
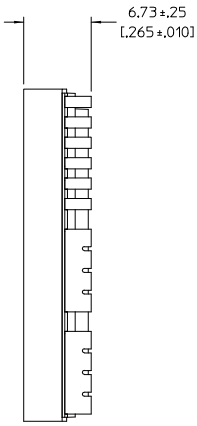
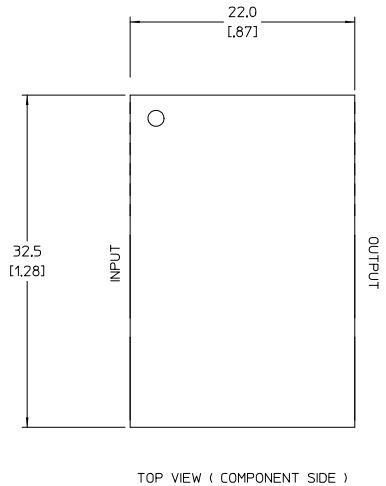


VICOR CONFIDENTIAL
 THIS DOCUMENT AND THE DATA DISCLOSED
 HEREIN OR HEREWITH IS NOT TO BE REPRODUCED,
 USED, OR DISCLOSED IN WHOLE OR IN PART
 TO ANYONE WITHOUT PERMISSION OF VICOR CORP.

REV.	DESCRIPTION	DATE	APVD
1	RELEASED PER E080738	SA 4/11/08	RE.H
2	REVISED PER E090487b	EM 3/19/09	RH
3	REVISED PER E091092	JS 07/10/09	AR
4	REVISED PER E091236a	AR 07/29/09	RE.H
5	REVISED PER E091826	JS 10/12/09	RE.H



NOTE:
 1. RoHS COMPLIANT PER CST-0001 LATEST REVISION.

RECOMMENDED LAND PATTERN
 (COMPONENT SIDE SHOWN)

DRAWN BY: []	DATE: 3/27/08		
REV: []	DATE: []		
UNLESS OTHERWISE SPECIFIED DIMENSIONS ARE IN INCH TOLERANCES ARE: DECIMALS .005 FRACTIONS ±.001 (MIN .0005)		PRODUCT OUTLN PRM (AL) ON BD MOUNT PKG2	
THIRD ANGLE PROJECTION	SCALE: 4:1	SIZE: D 67131	REV: 5
DO NOT SCALE DRAWING	SCALE: 4:1	DWG NO: 32654	SHEET 1 OF 1